

[54] **SIGN**

[76] **Inventor:** Fritz W. Wilde, Robert-Koch-Strasse 11, D-8012 Ottobrunn, Fed. Rep. of Germany

[**] **Term:** 14 Years

[21] **Appl. No.:** 355,161

[22] **Filed:** Mar. 5, 1982

[30] **Foreign Application Priority Data**

Sep. 10, 1981 [DE] Fed. Rep. of Germany ... 8126382[U]

[52] **U.S. Cl.** D20/41

[58] **Field of Search** 40/584, 606, 607, 608, 40/612; D20/10, 41, 12, 17; D10/109, 113

[56] **References Cited**

U.S. PATENT DOCUMENTS

D. 56,157 8/1920 Hickey et al. D10/109
D. 185,832 8/1959 Barnes D20/41

FOREIGN PATENT DOCUMENTS

363707 12/1931 United Kingdom 40/607

OTHER PUBLICATIONS

Signs of the Times-Apr. 1979-p. 73-National Time 4-Way Clock.

Signs of the Times-Jul. 1979-p. 53-Hexagonal Sign at lower left.

Primary Examiner—Catherine E. Kemper
Attorney, Agent, or Firm—Stevens, Davis, Miller & Mosher

[57] **CLAIM**

The ornamental design for sign, as shown and described.

DESCRIPTION

FIG. 1 is a side elevational view of a sign, showing my new design;

FIG. 2 is an elevational view of the sign as it appears when rotated 60° from the position of FIG. 1;

FIG. 3 is an elevational view of the sign as it appears when rotated 30° from the position of FIG. 1;

FIG. 4 is a top plan view thereof;

FIG. 5 is a bottom plan view thereof.

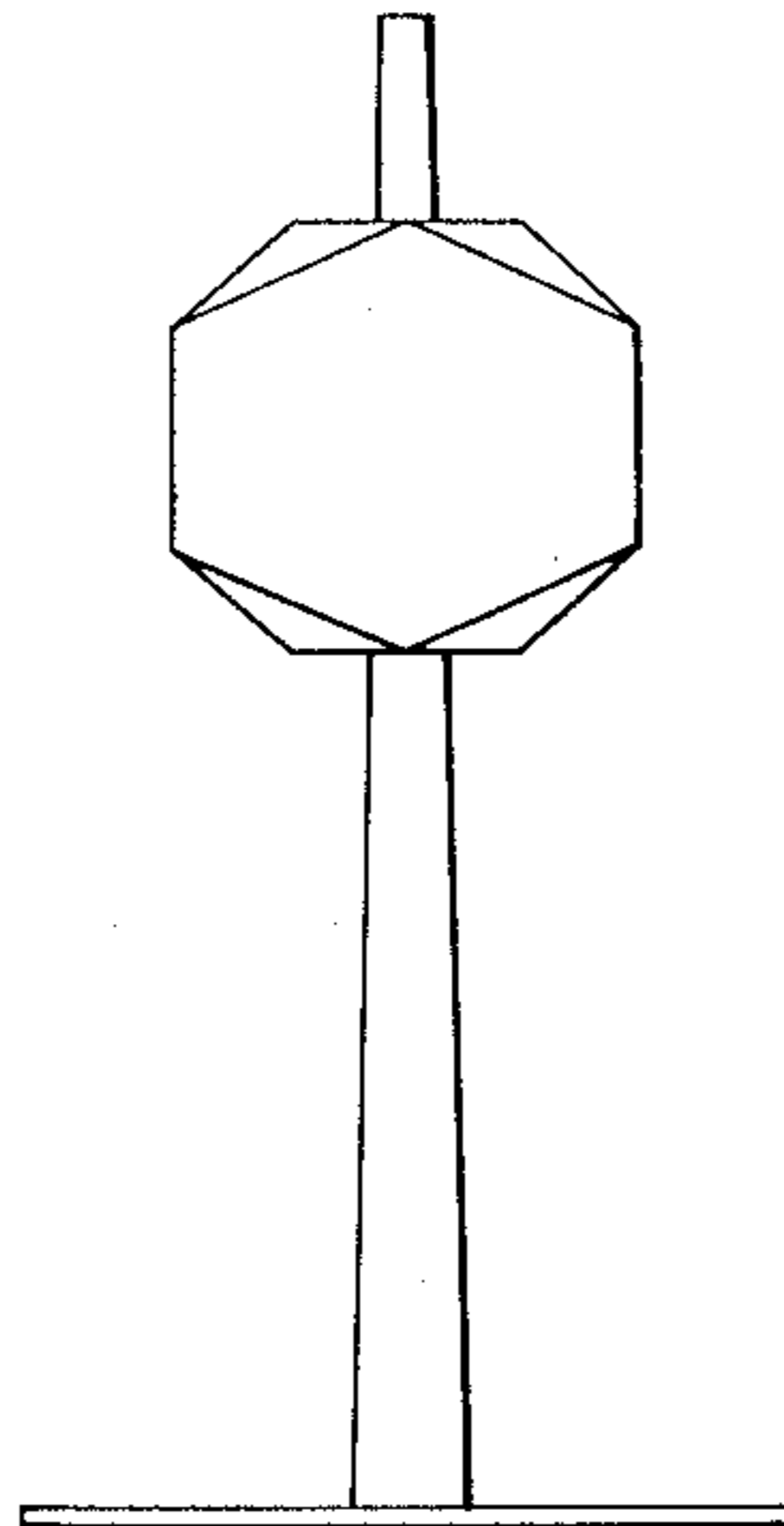


FIG. 1

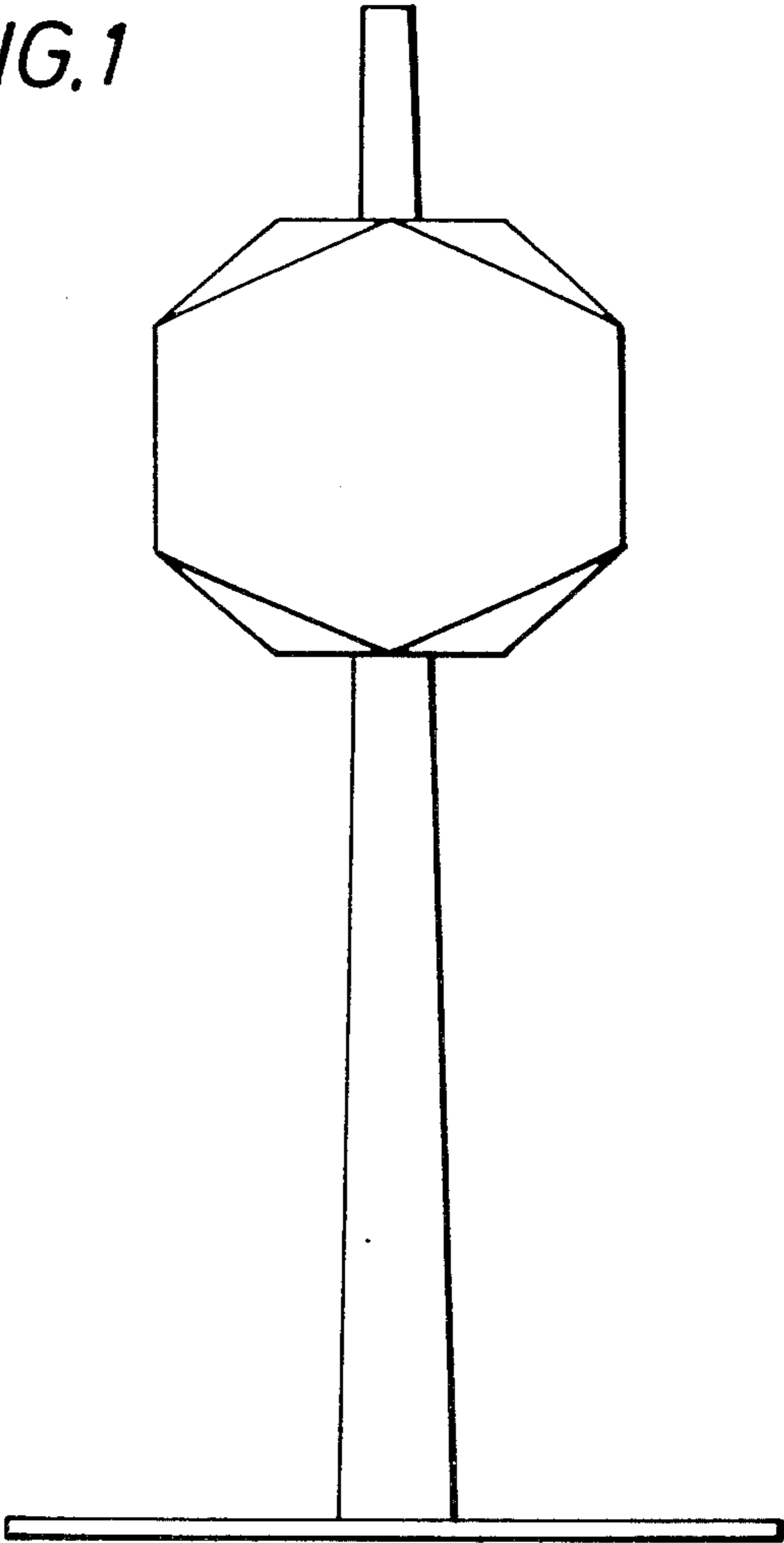


FIG. 2

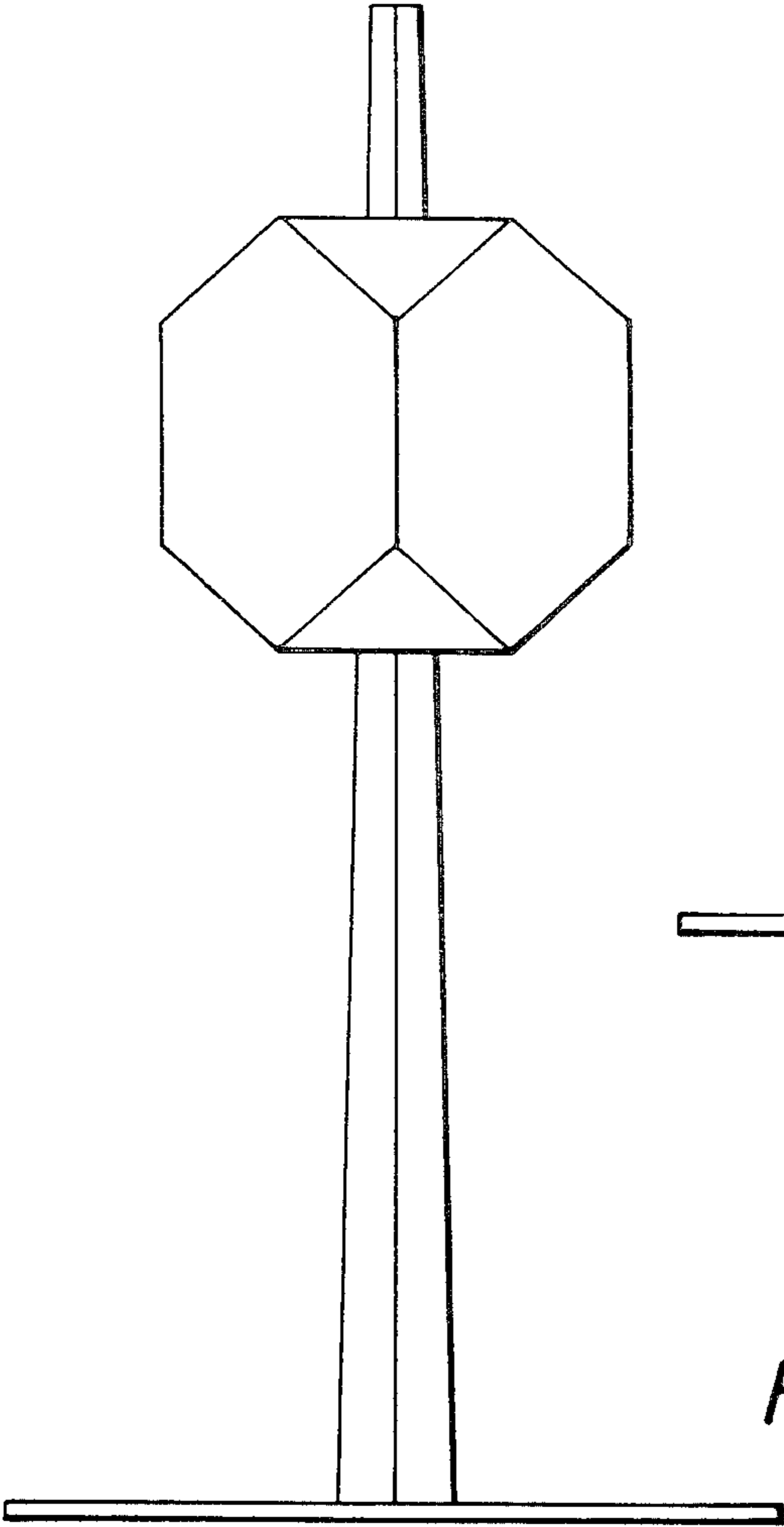
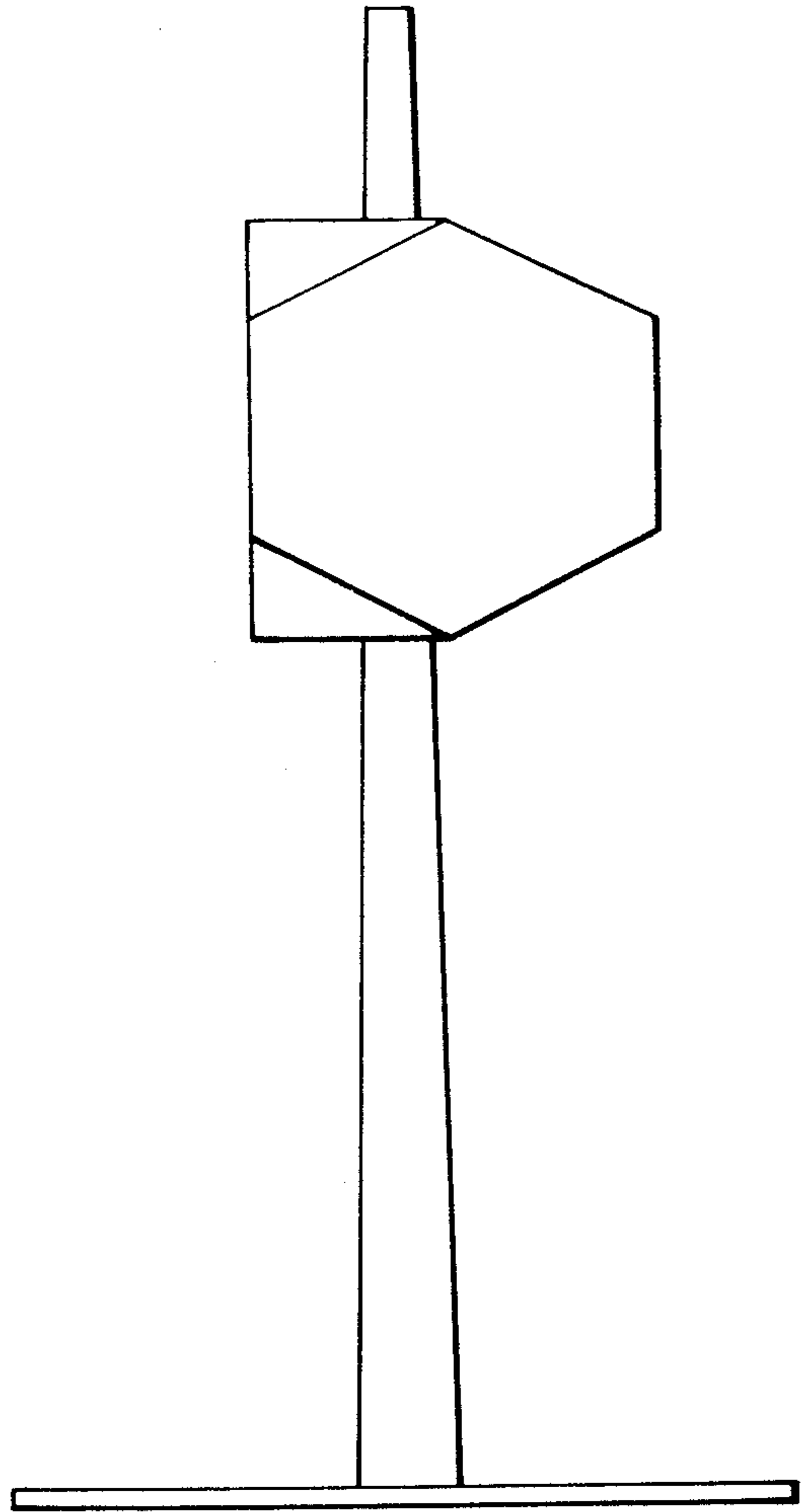


FIG. 3



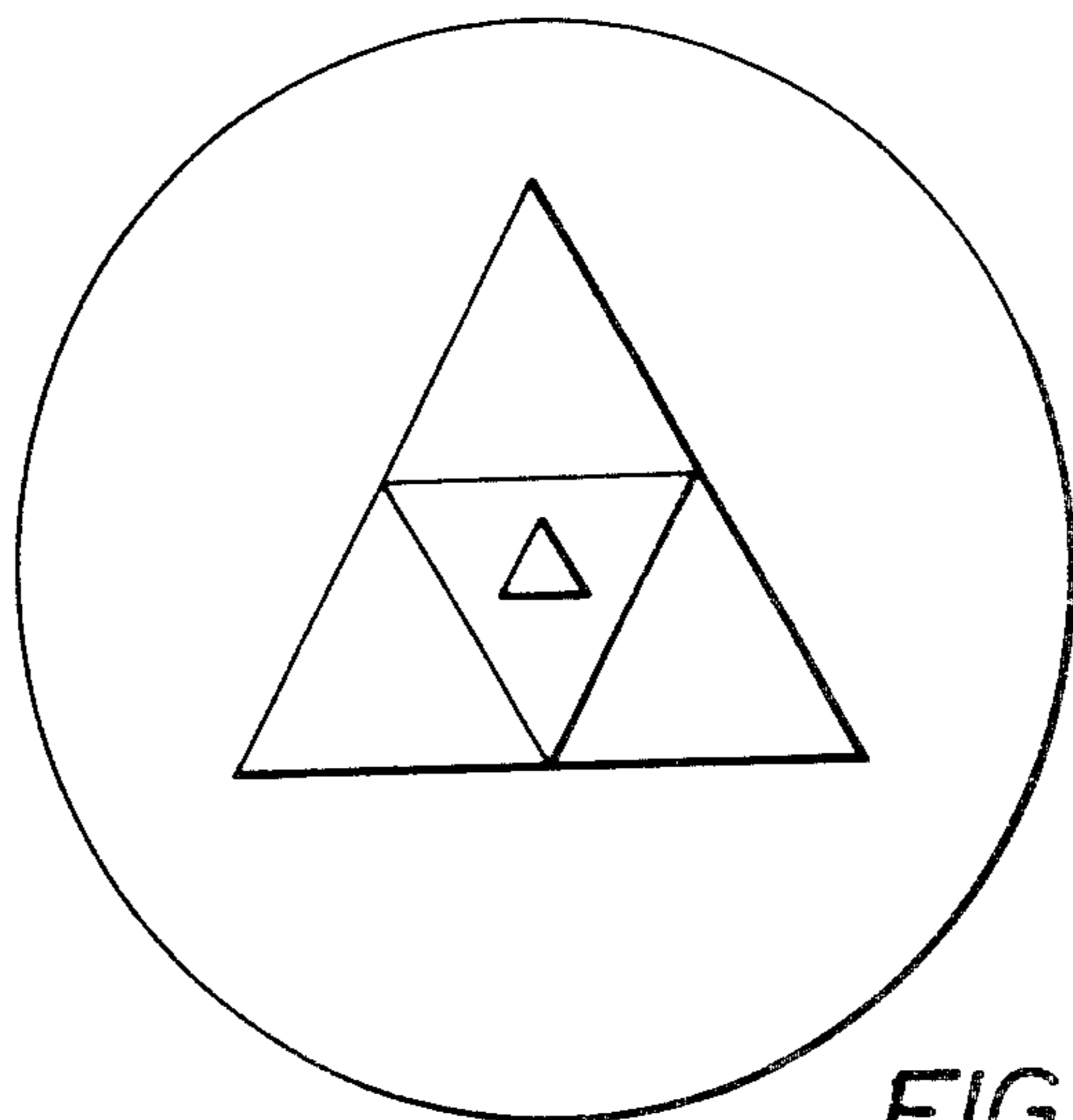


FIG. 4

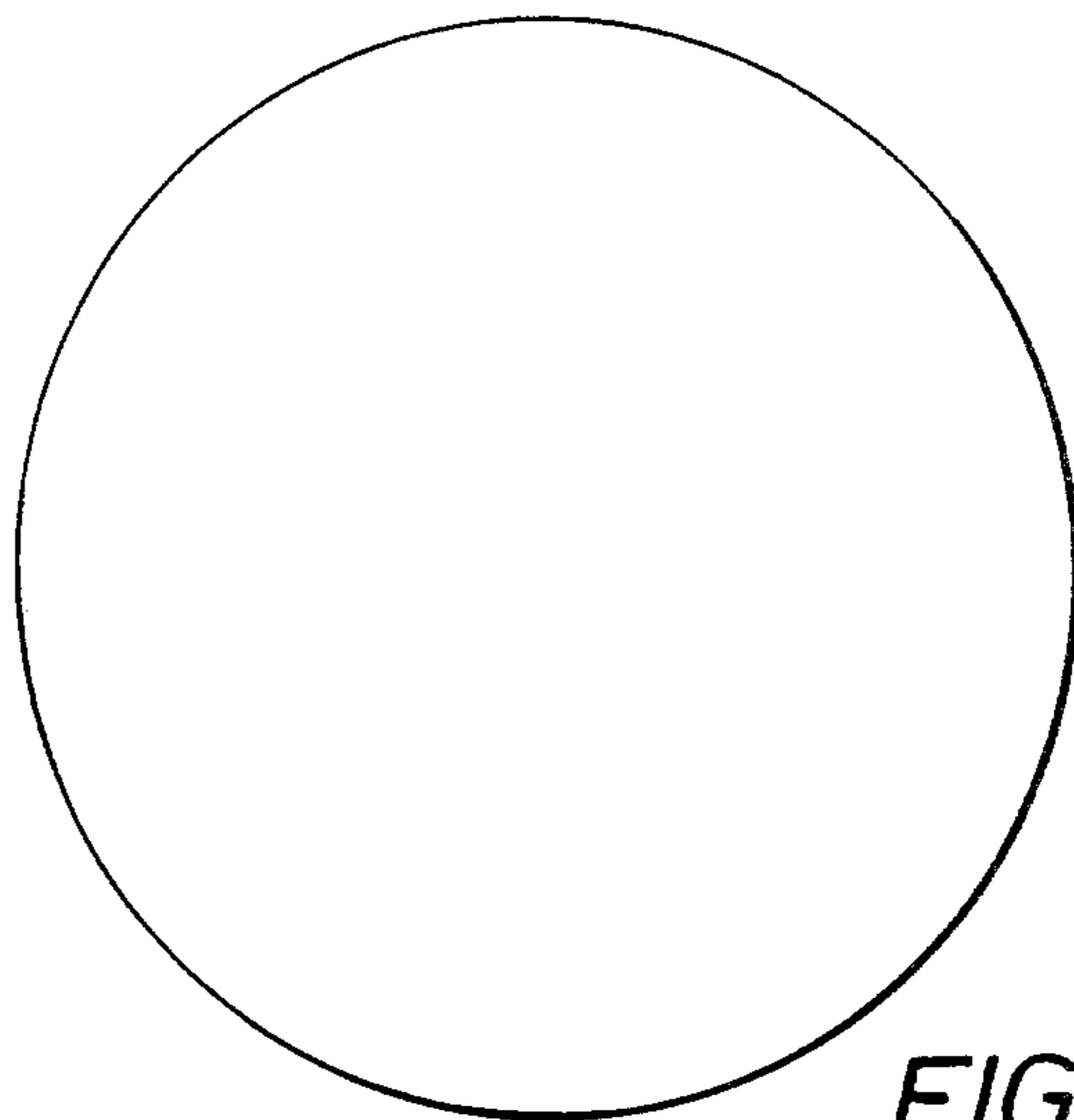


FIG. 5