

[54] TAPE DISPENSER

[75] Inventor: Rodney D. Borst, Oregon, Wis.

[73] Assignee: Placon Corporation, Madison, Wis.

[**] Term: 14 Years

[21] Appl. No.: 406,398

[22] Filed: Aug. 9, 1982

[52] U.S. Cl. D19/69

[58] Field of Search D19/67-69,
D19/89, 99; 221/8, 197; 225/6, 56, 43

[56] References Cited

U.S. PATENT DOCUMENTS

- D. 175,066 7/1955 Emmert D19/69
- D. 200,508 3/1965 Boceaus D19/99

- D. 218,861 9/1970 Castelli D19/69
- D. 263,059 2/1982 Croyle D19/69
- 3,846,248 11/1974 Rose D19/69

Primary Examiner—George P. Word
Attorney, Agent, or Firm—Isaksen, Lathrop, Esch, Hart & Clark

[57] CLAIM

The ornamental design for a tape dispenser, as shown and described.

DESCRIPTION

FIG. 1 is a perspective view of a tape dispenser showing my new design;
FIG. 2 is a top plan view thereof;
FIG. 3 is a right side elevational view thereof;
FIG. 4 is a rear elevational view thereof; and
FIG. 5 is a bottom plan view thereof.

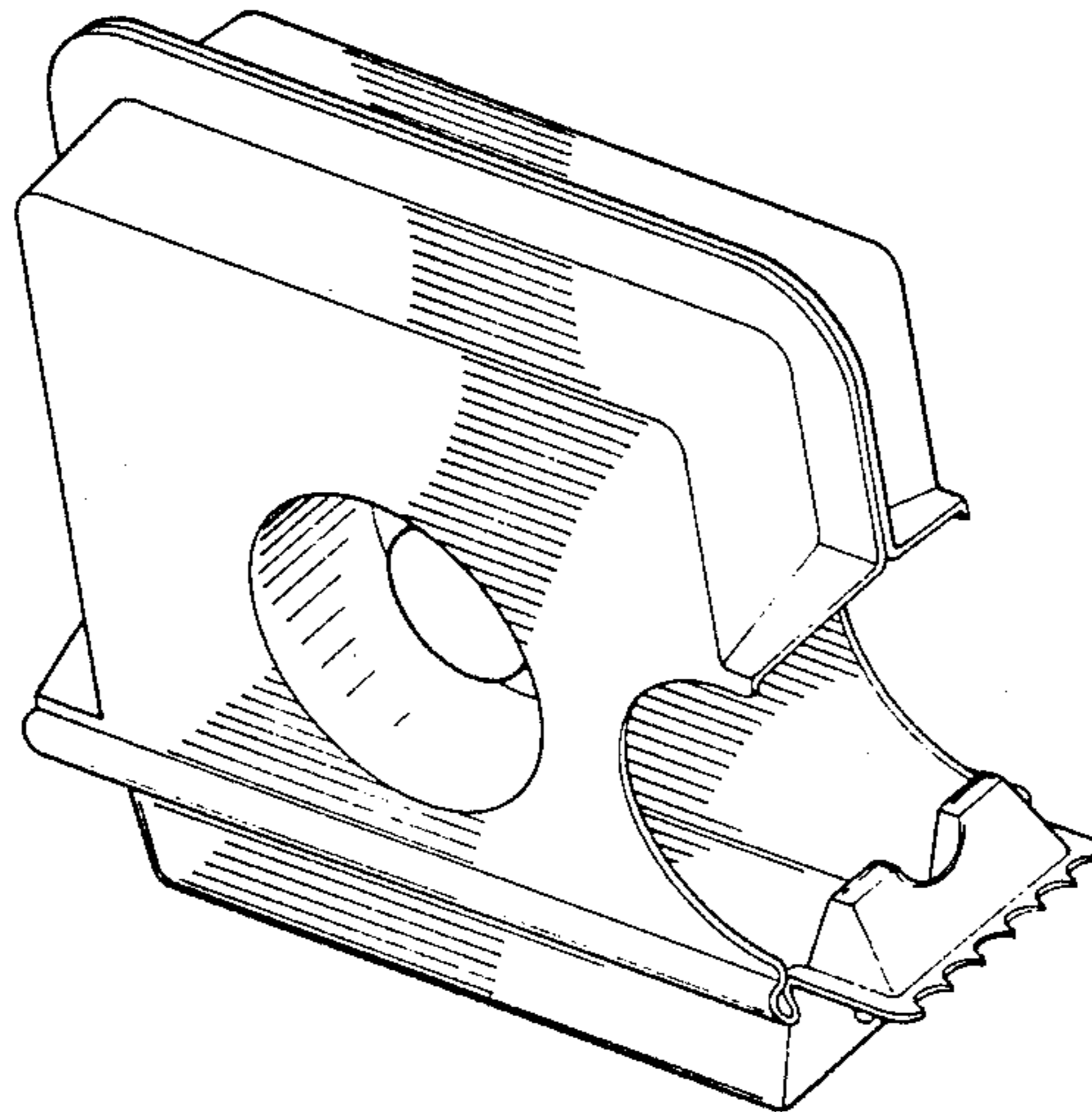


FIG. 1

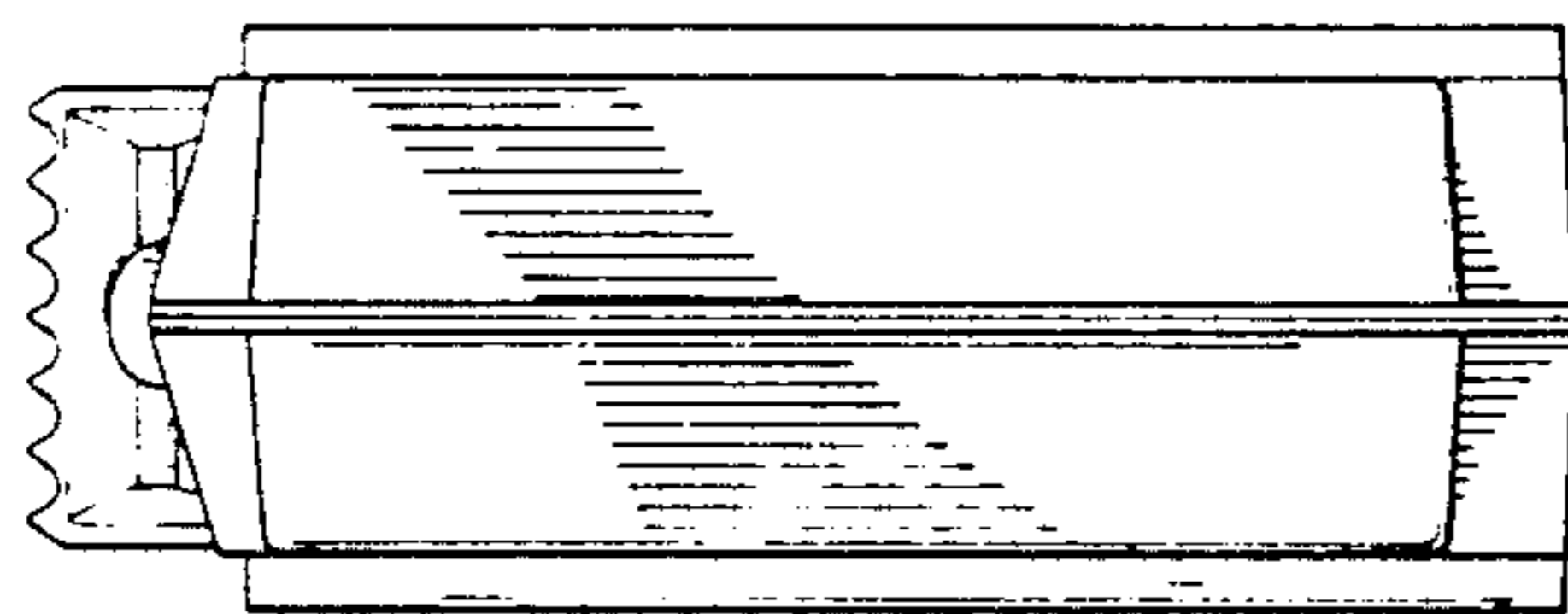
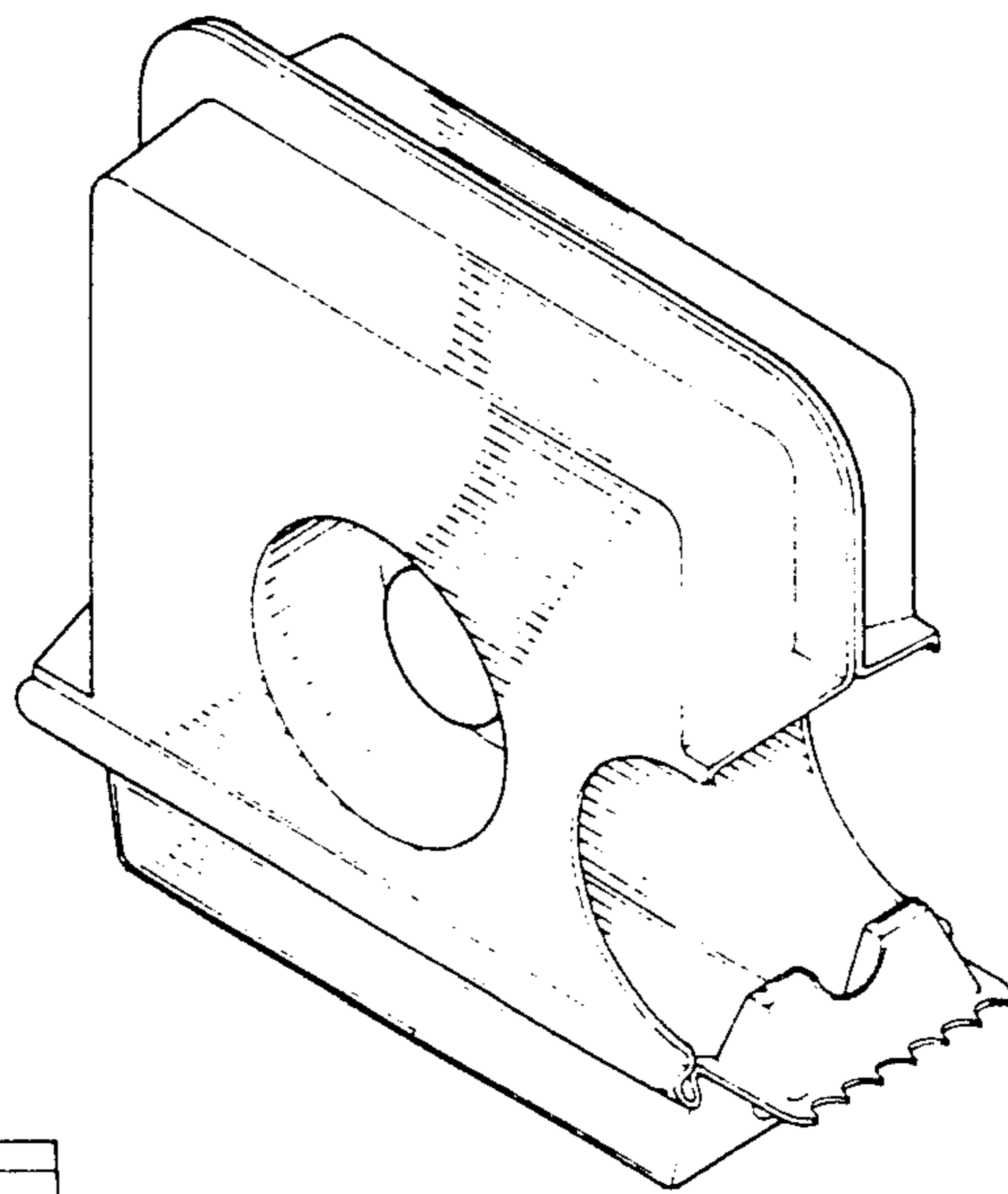


FIG. 2

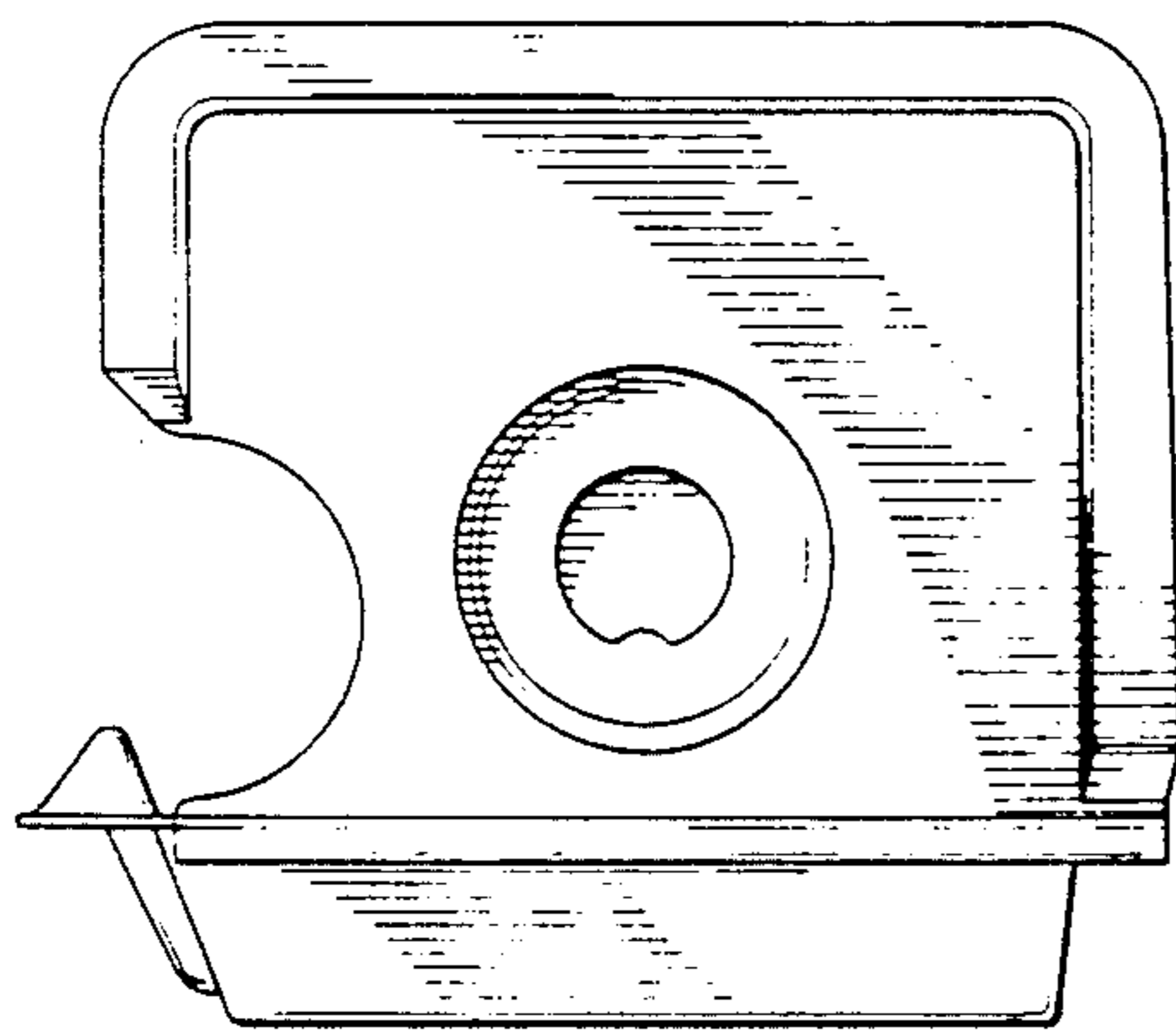


FIG. 3

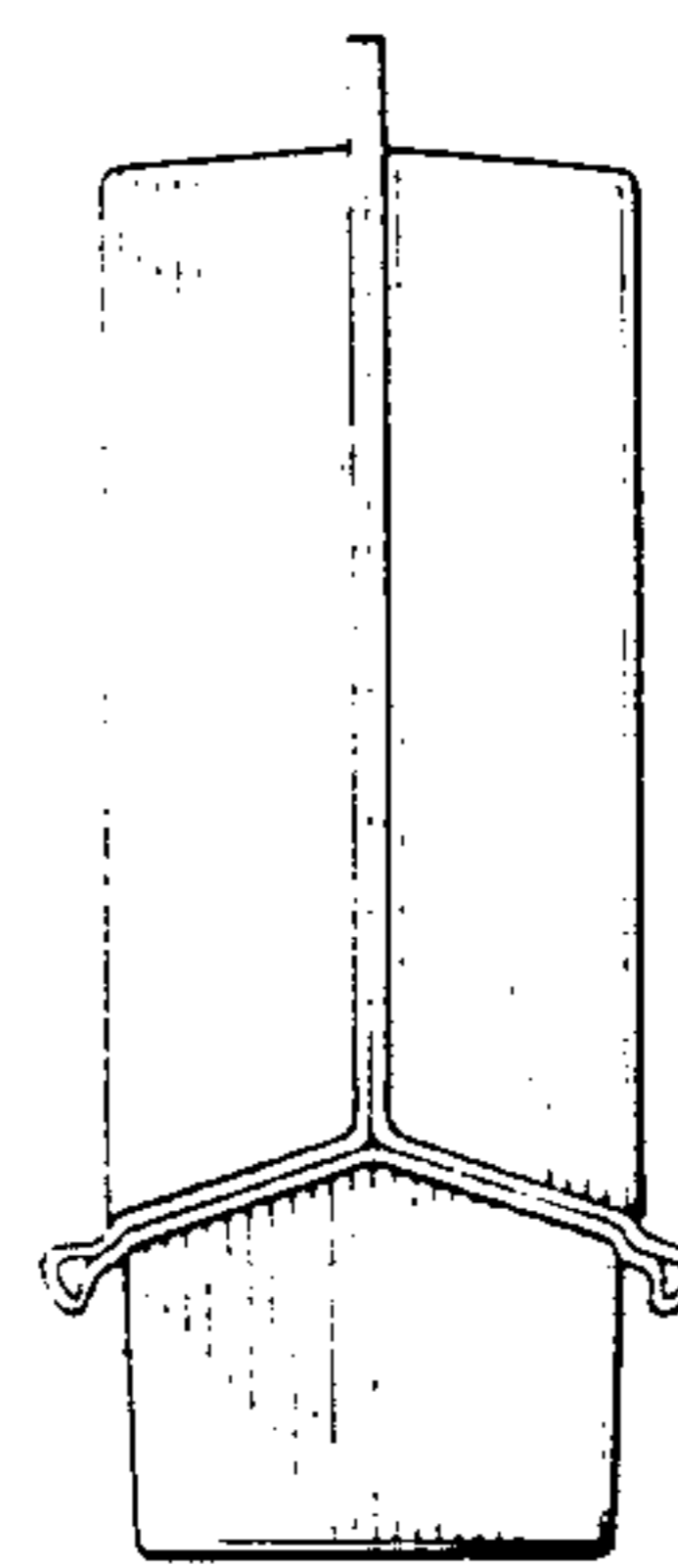


FIG. 4



FIG. 5