

[54] OFFICE STAMP

[76] Inventors: Per-Arne Carlsson, Tärngatan 7;
Bengt Darhult, Trastgatan 12, both of
510 54 Brämhult, Sweden

[**] Term: 14 Years

[21] Appl. No.: 358,953

[22] Filed: Mar. 17, 1982

[52] U.S. Cl. D18/15

[58] Field of Search D18/13-16,
D18/18, 22, 99; 101/111, 327, 405, 406,
371-373

[56] References Cited

U.S. PATENT DOCUMENTS

D. 261,006 9/1981 Wall et al. D18/15
4,022,127 5/1977 Carlsson et al. 101/327

4,203,362 5/1980 Underwood 101/405 X

FOREIGN PATENT DOCUMENTS

1276662 9/1968 Fed. Rep. of Germany D18/15

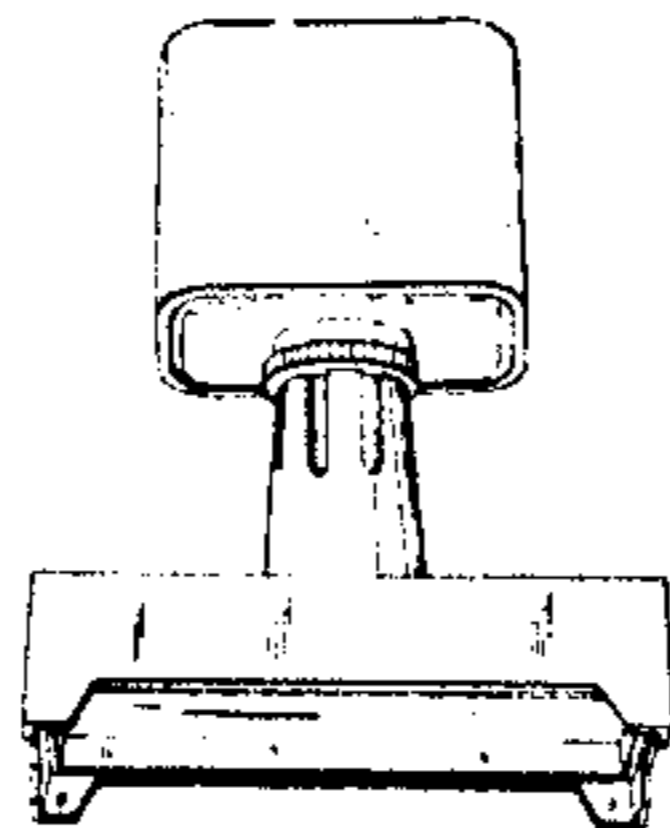
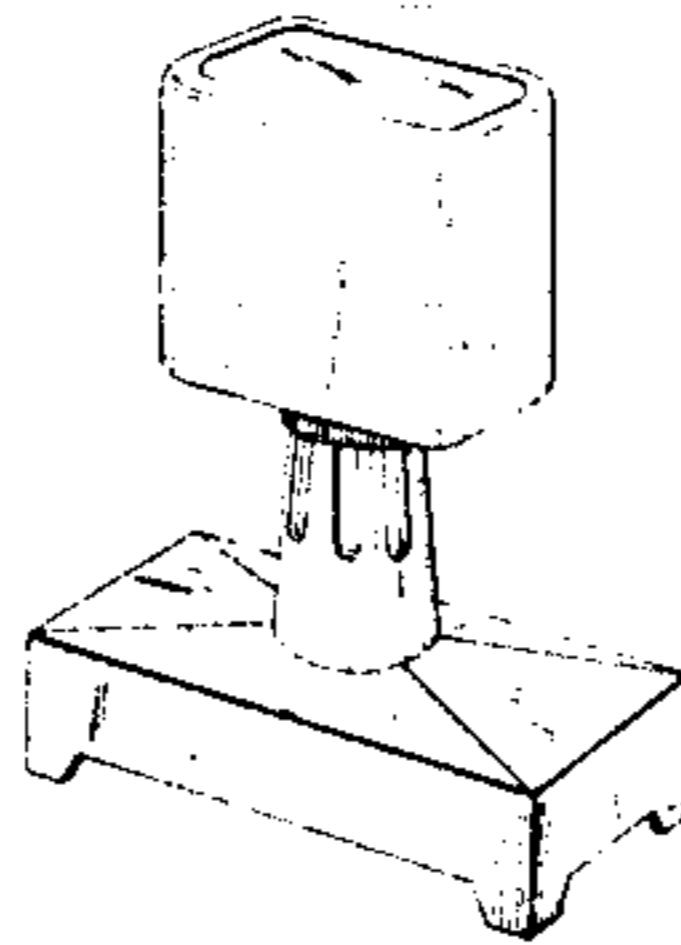
Primary Examiner—Louis S. Zarfes
Attorney, Agent, or Firm—Sughrue, Mion, Zinn,
Macpeak and Seas

[57] CLAIM

The ornamental design for an office stamp, as shown
and described.

DESCRIPTION

FIG. 1 is a perspective view of an office stamp showing
our new design;
FIG. 2 is a rear perspective view thereof with the trans-
parent handle cap removed; and
FIG. 3 is a bottom perspective view thereof.



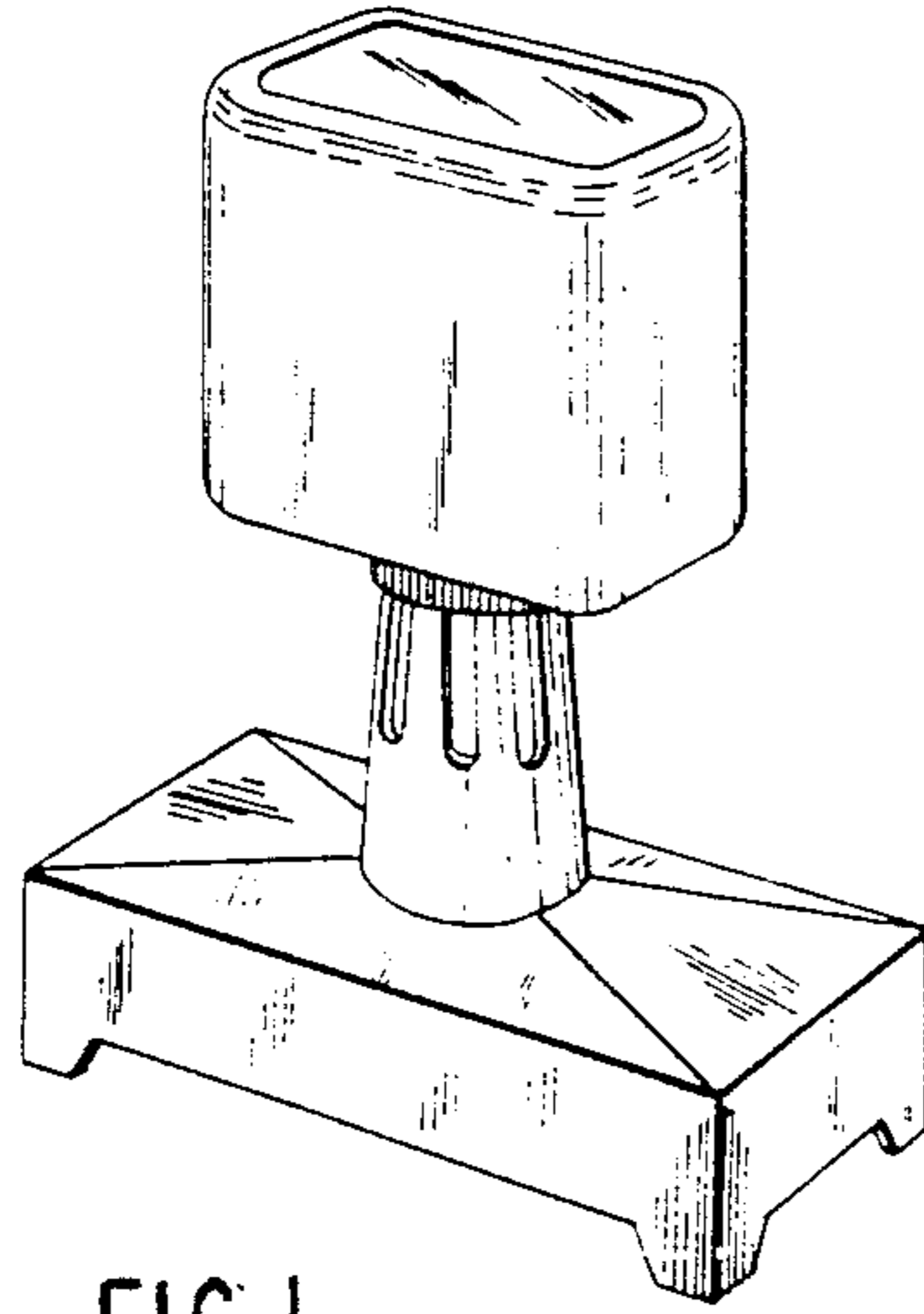


FIG. 1

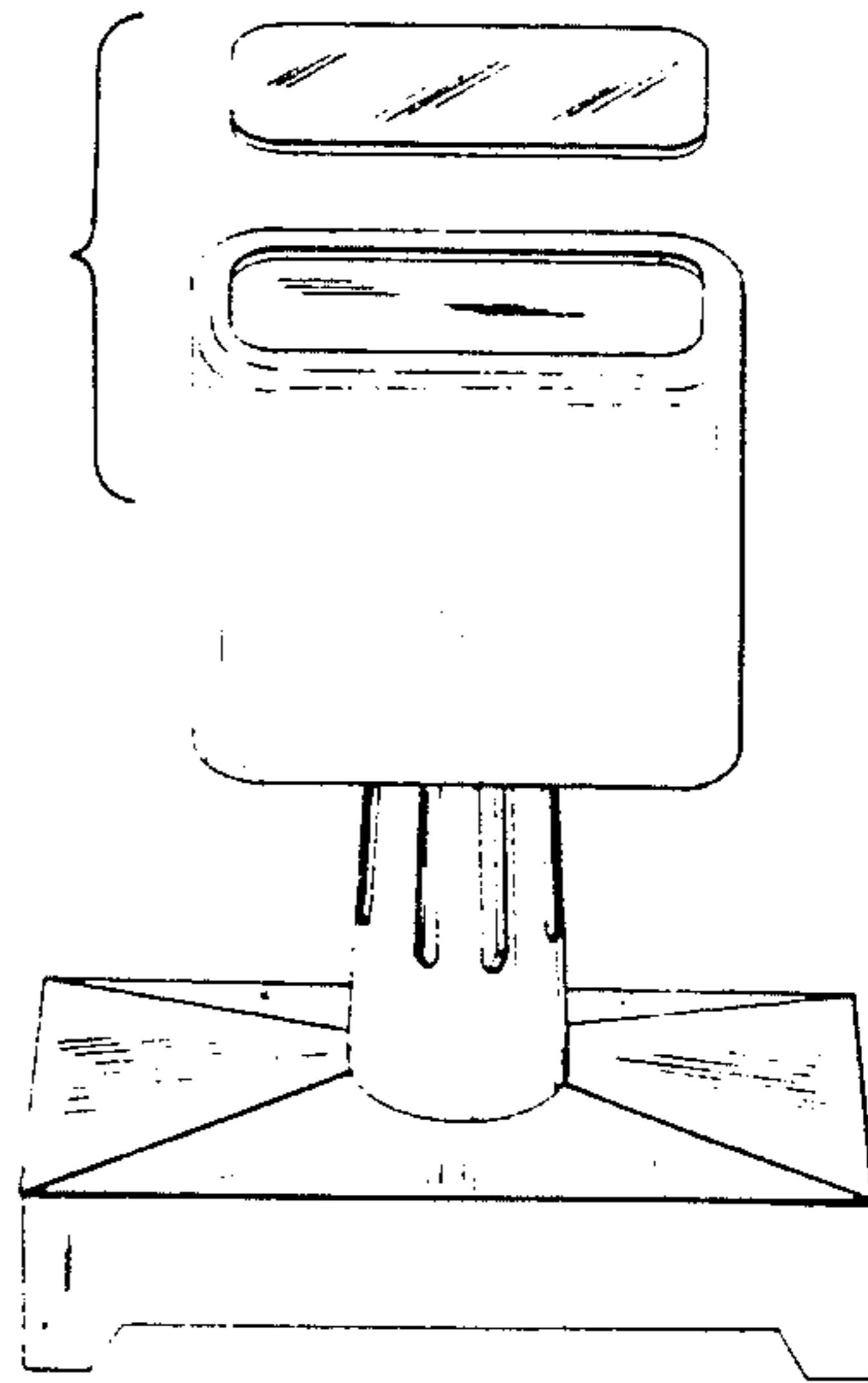


FIG. 2

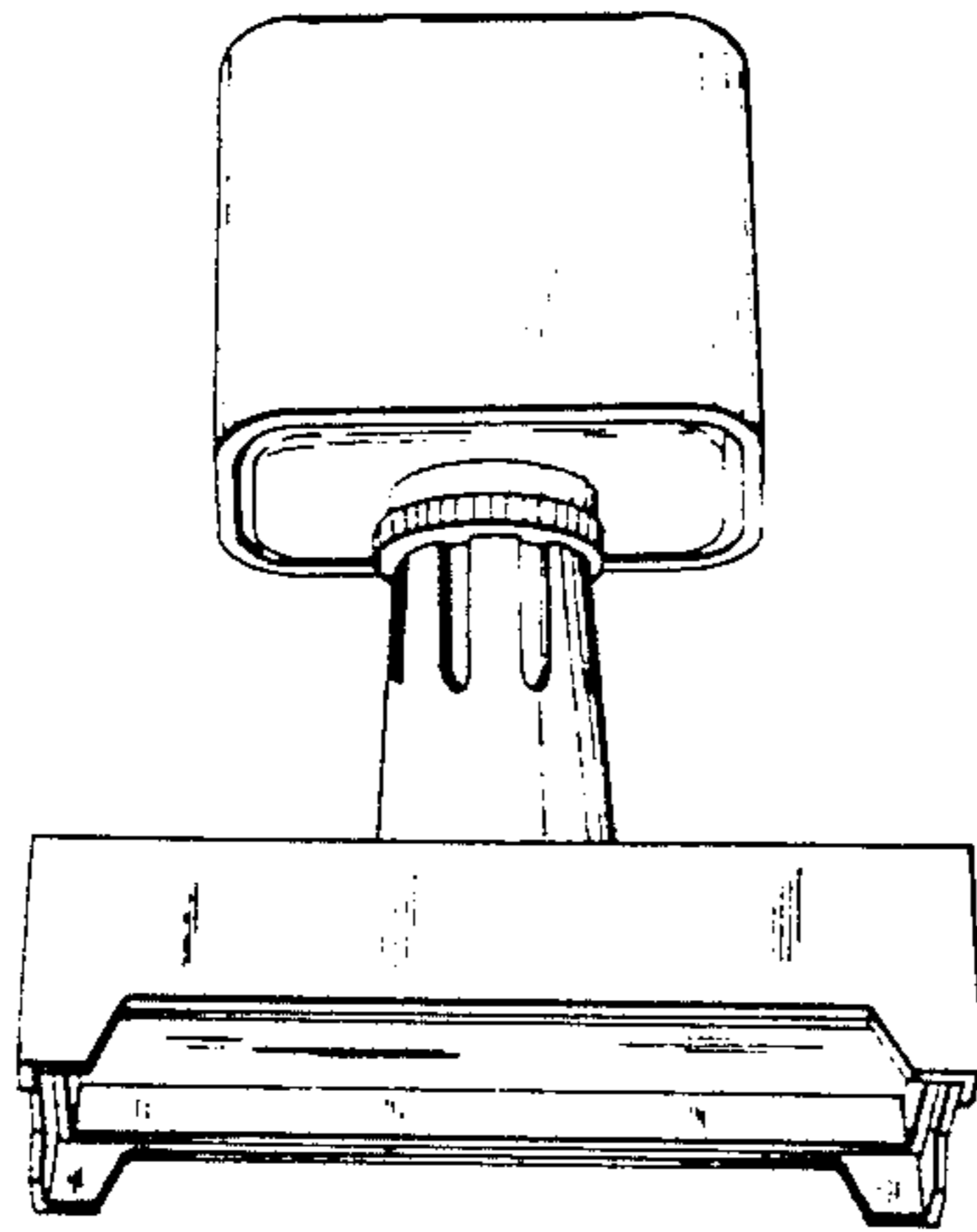


FIG 3