

[54] MICROFILM COPYING CAMERA

[75] Inventors: Masahiro Kando; Hiroaki Suzuki, both of Tokyo, Japan

[73] Assignee: Canon Kabushiki Kaisha, Tokyo, Japan

[\*\*] Term: 14 Years

[21] Appl. No.: 434,068

[22] Filed: Oct. 13, 1982

[30] Foreign Application Priority Data

Apr. 28, 1982 [JP] Japan ..... 57-18703

[52] U.S. Cl. .... D16/27

[58] Field of Search ..... D16/27, 2; 354/80; 355/64, 75-77

[56] References Cited

U.S. PATENT DOCUMENTS

- D. 199,212 9/1964 Vigna ..... D16/27
- D. 211,419 6/1968 Scott ..... D16/27
- D. 223,216 3/1972 Saito ..... D16/27

- D. 256,127 7/1980 Overman ..... D16/27
- 3,981,582 9/1976 Bookless ..... 355/75
- 4,037,956 7/1977 McKeen ..... 355/75 X

Primary Examiner—Nelson C. Holtje  
Attorney, Agent, or Firm—Fitzpatrick, Cella, Harper & Scinto

[57] CLAIM

The ornamental design for a microfilm copying camera, as shown and described.

DESCRIPTION

FIG. 1 is a front elevational view of a microfilm copying camera showing our new design;  
 FIG. 2 is a rear elevational view thereof;  
 FIG. 3 is a top plan view thereof;  
 FIG. 4 is a bottom plan view thereof;  
 FIG. 5 is a left side elevational view thereof;  
 FIG. 6 is a right side elevational view thereof;  
 FIG. 7 is a front and left side perspective view thereof;  
 FIG. 8 is a front and left side perspective view thereof with the camera and lights removed for clarity of illustration.

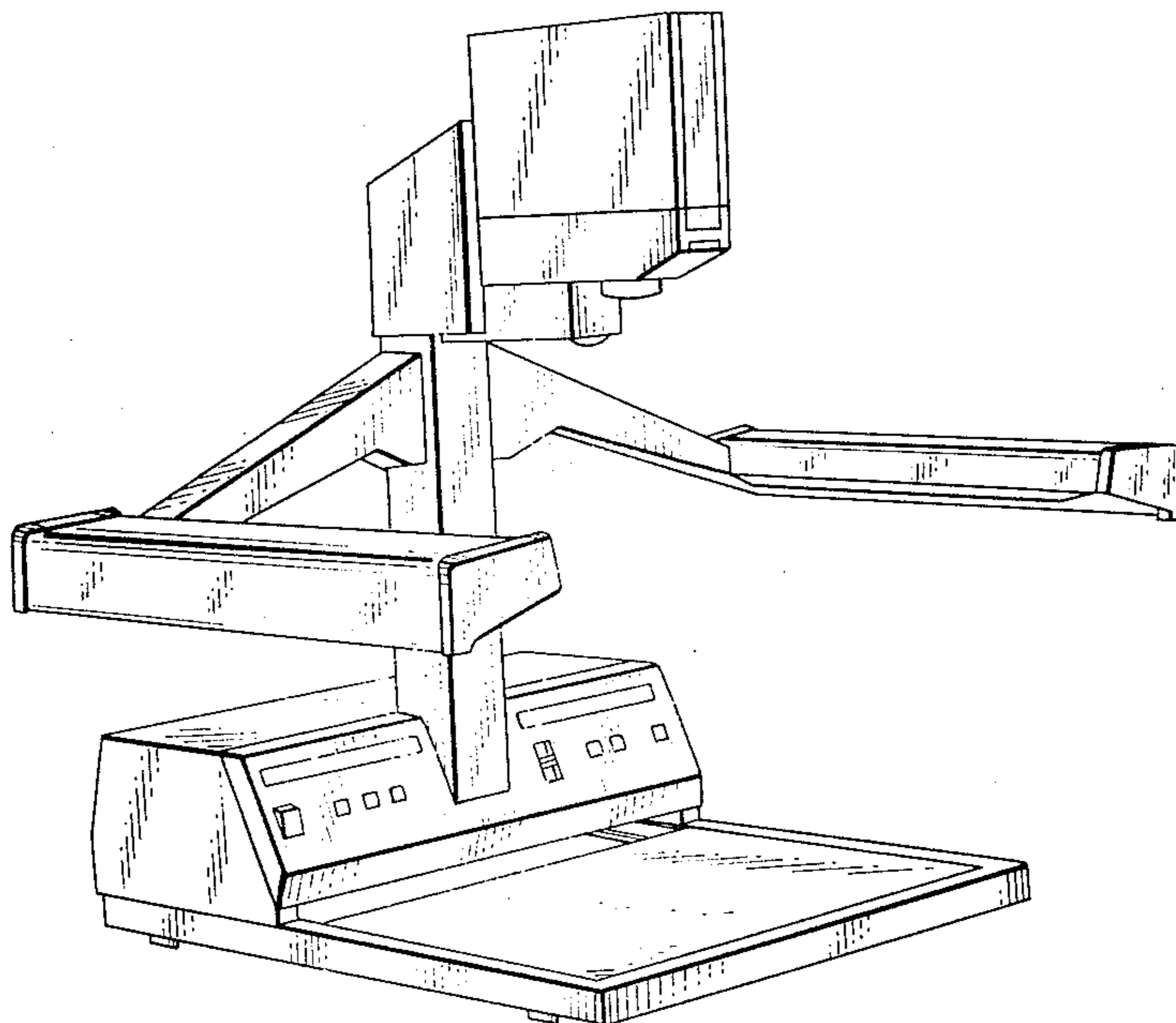


FIG. 1

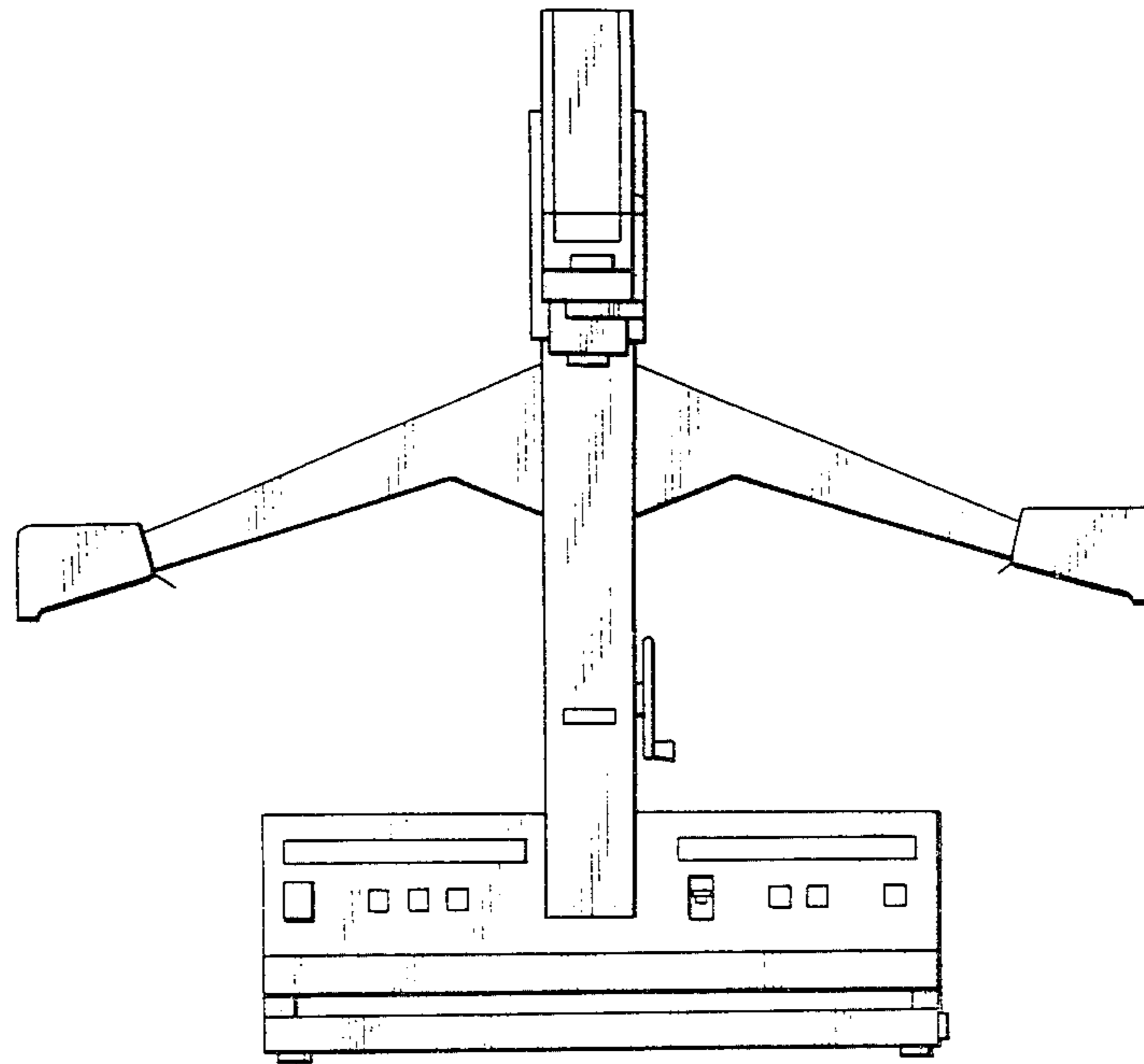


FIG. 2

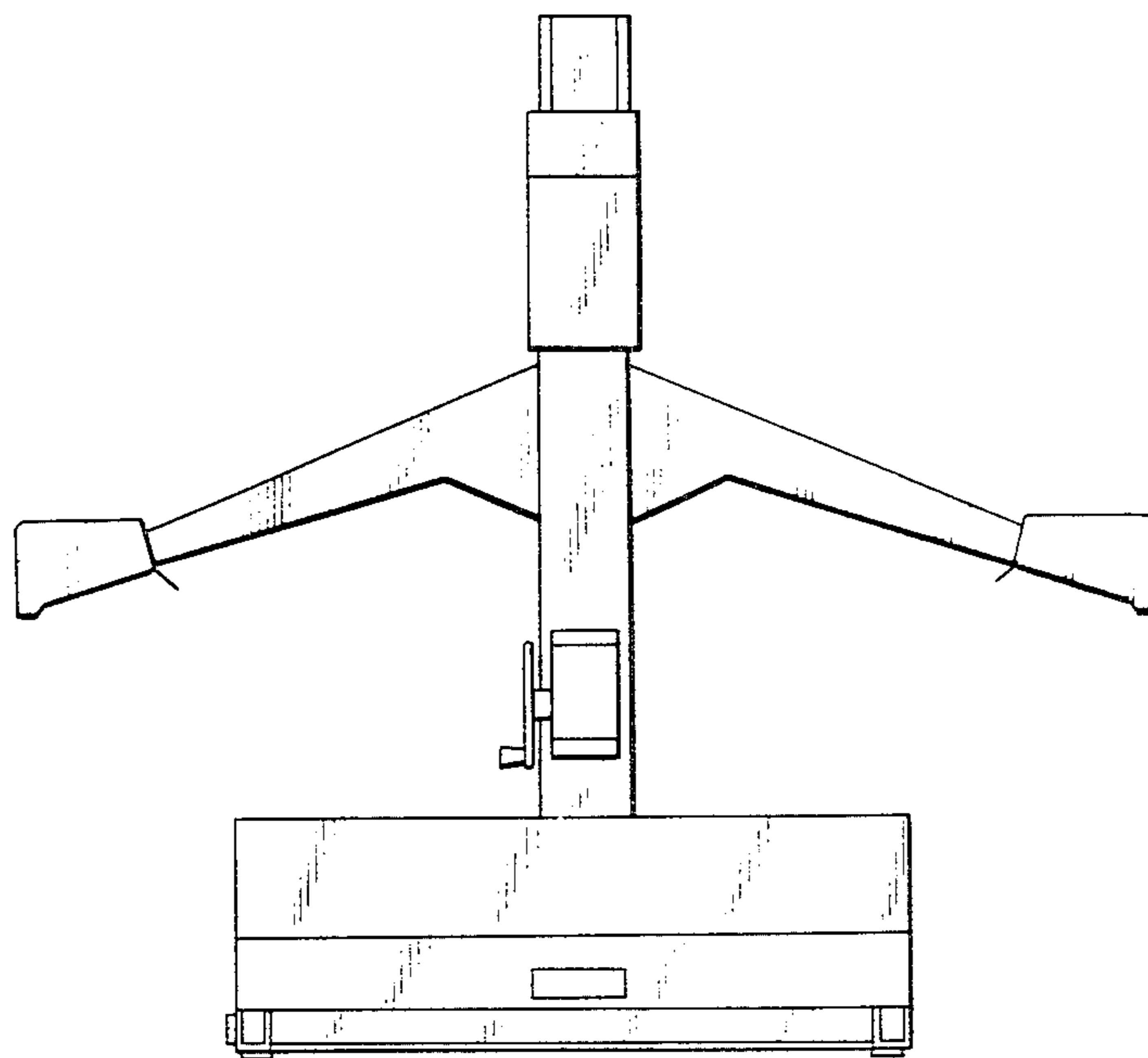


FIG. 3

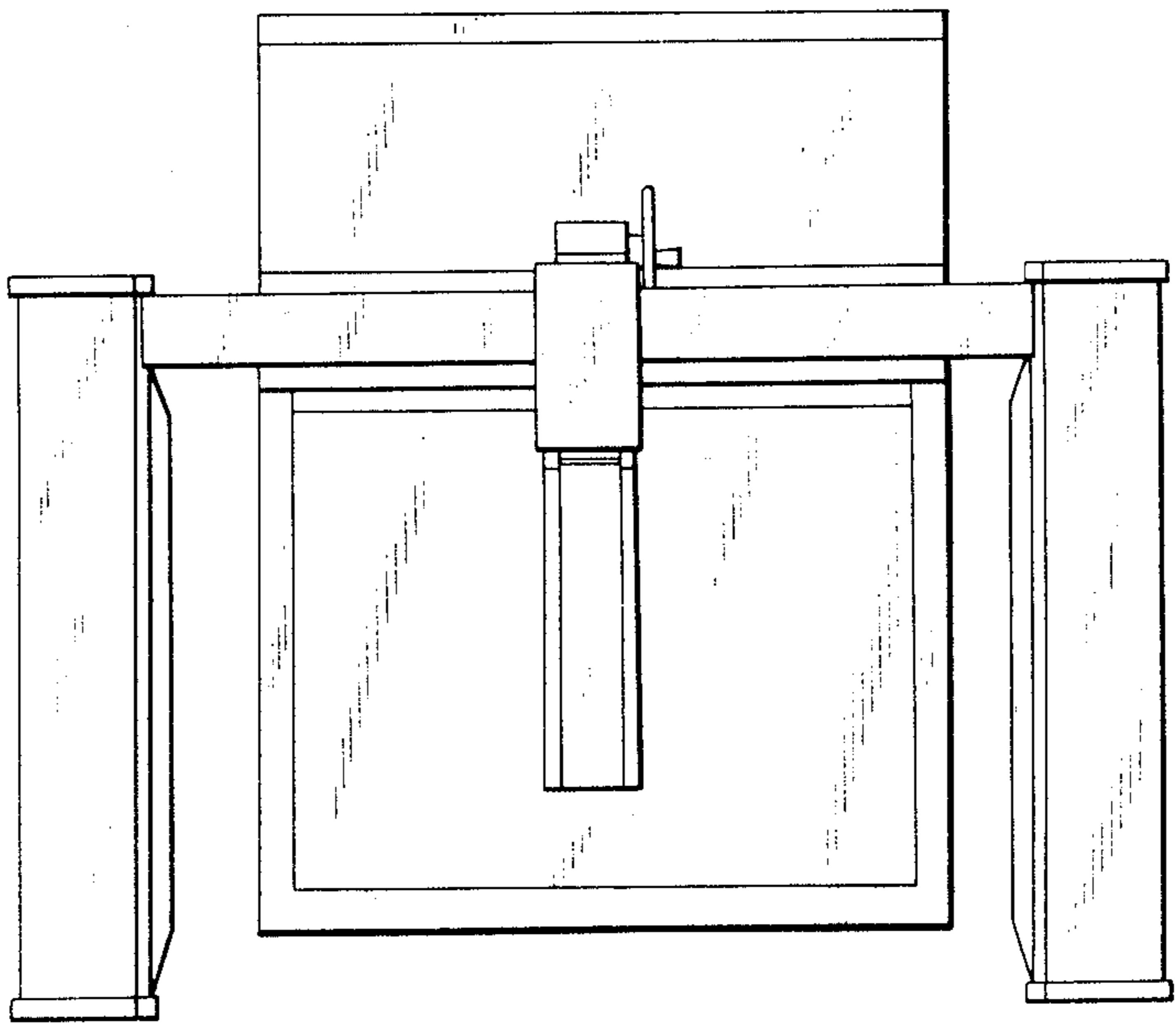


FIG. 4

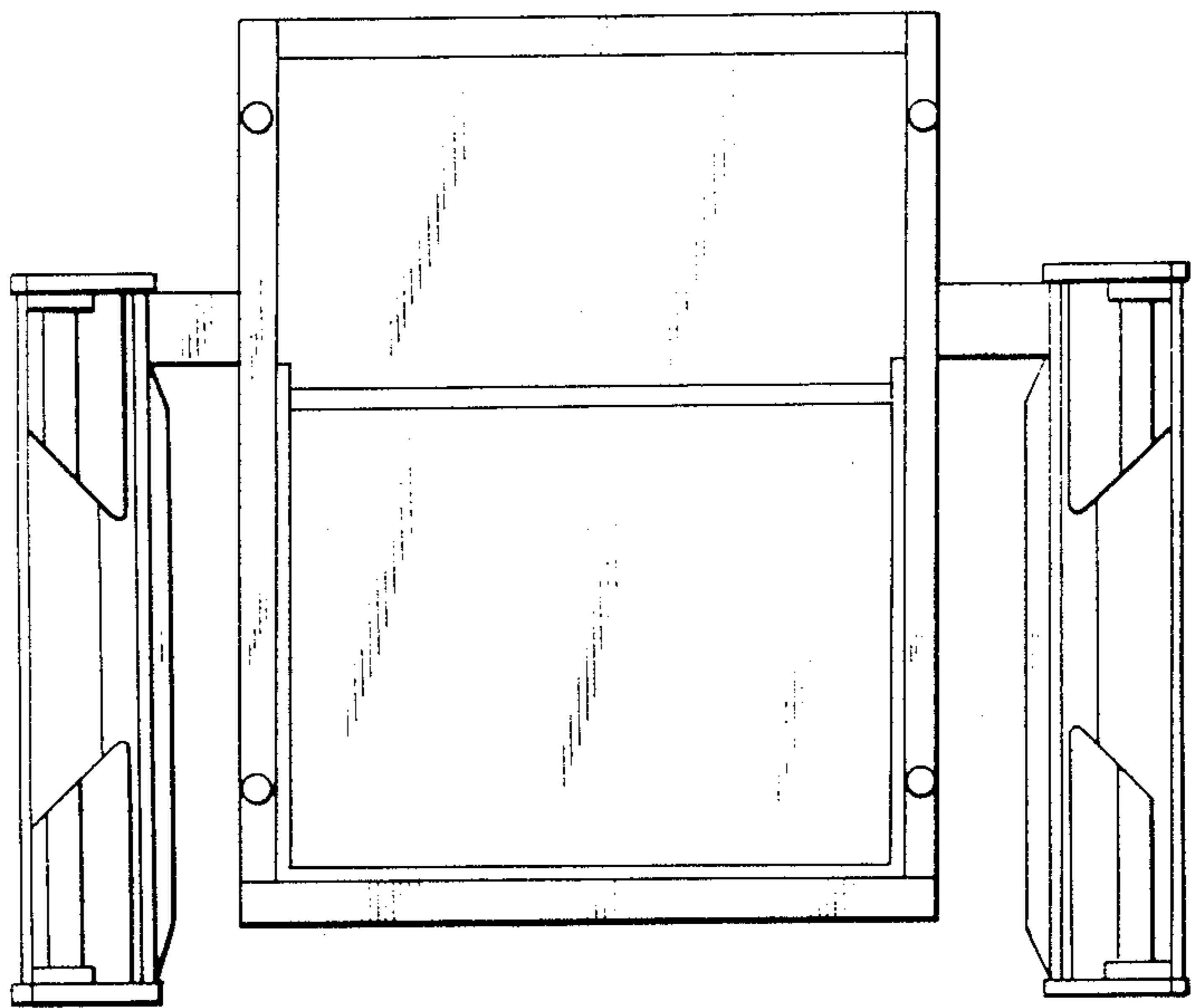


FIG. 5

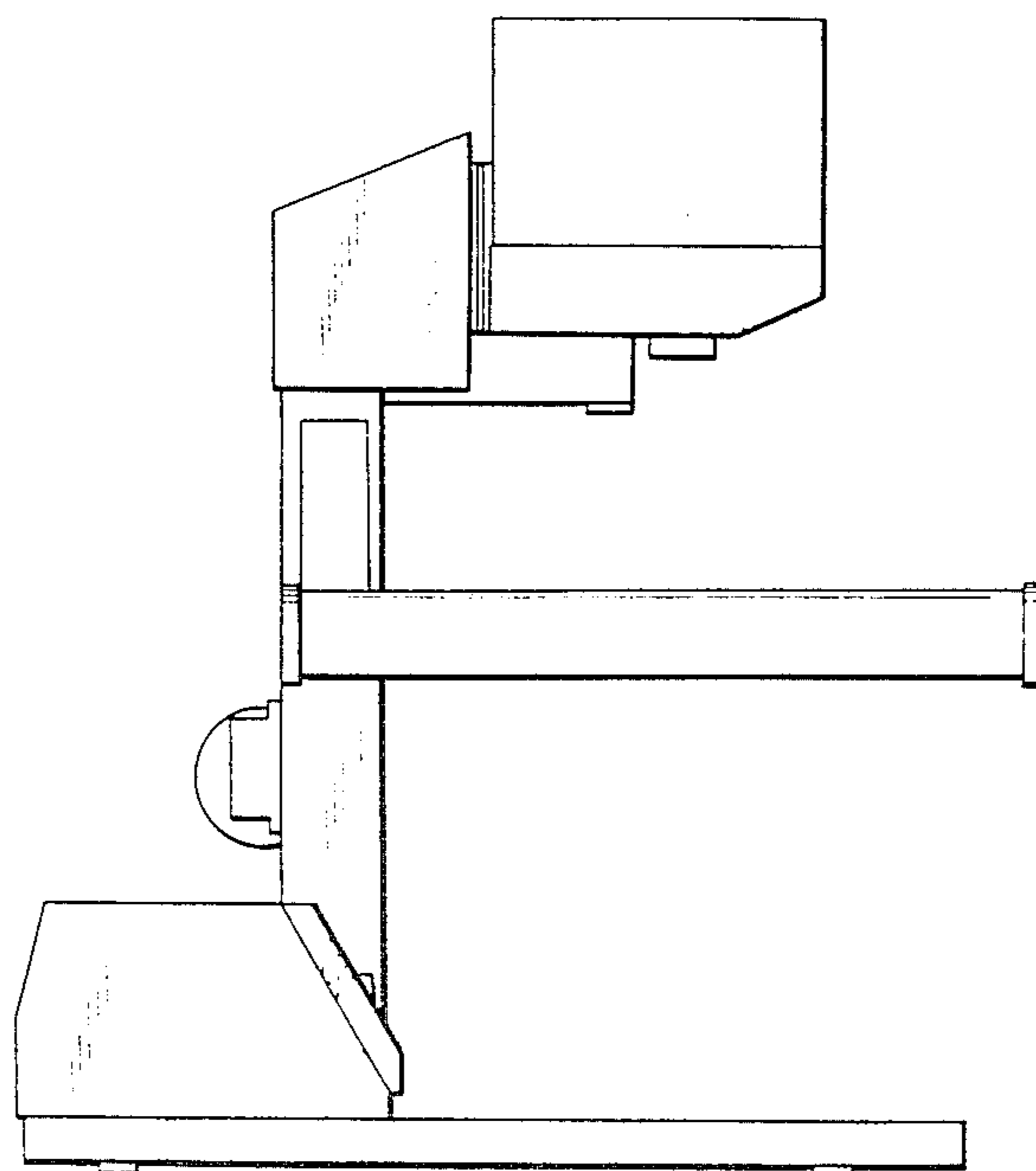


FIG. 6

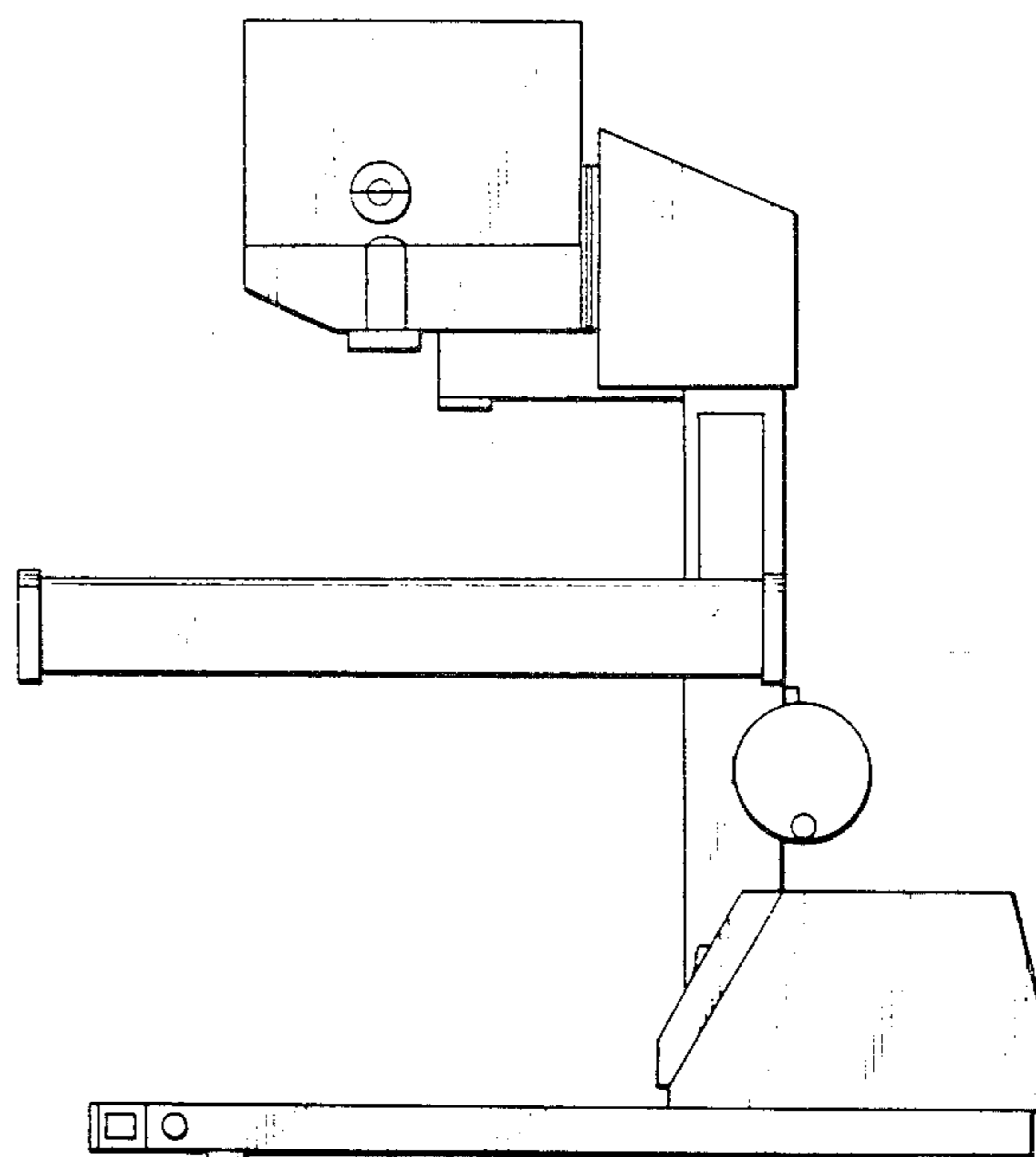


FIG. 7

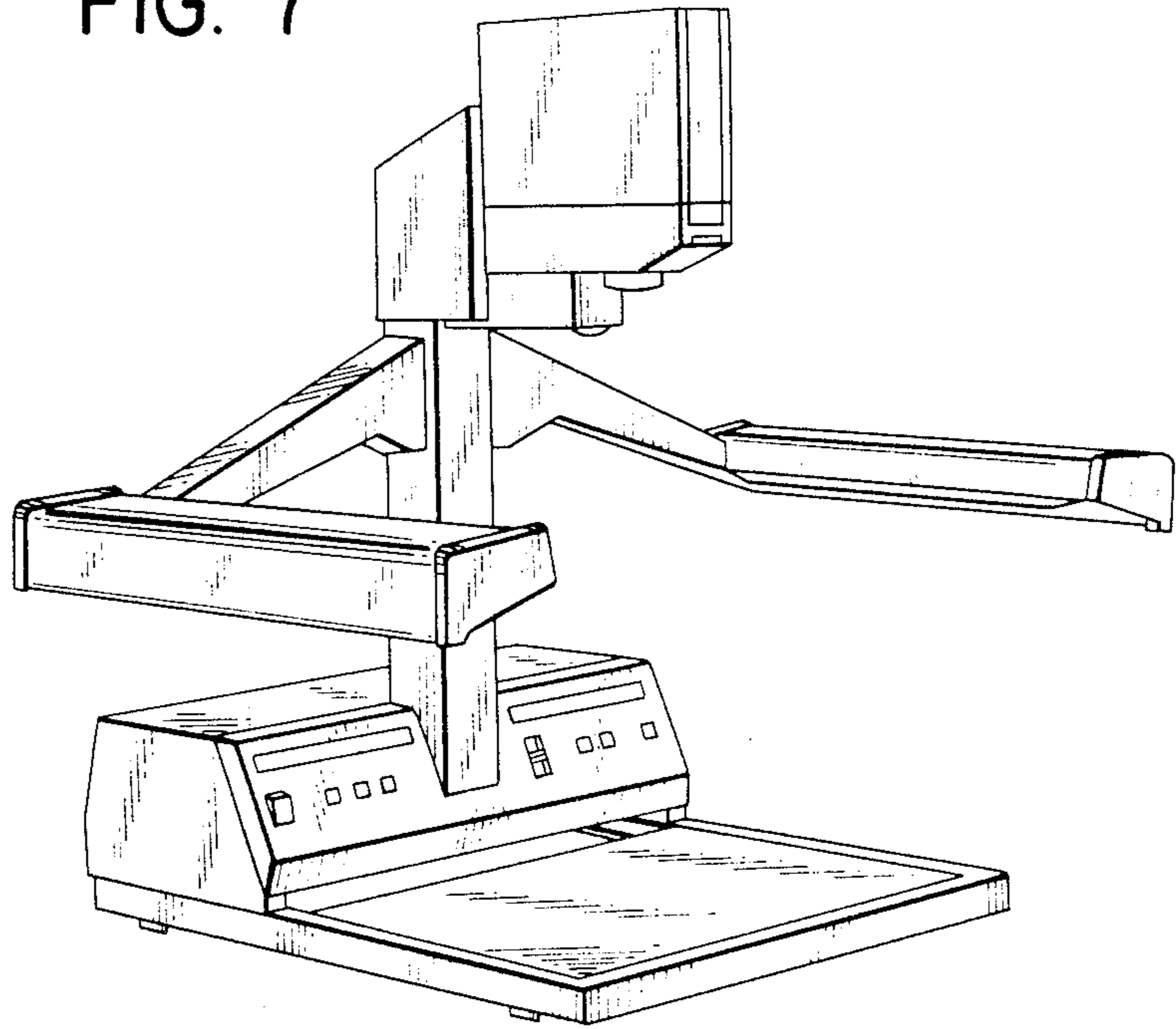


FIG. 8

