

[54] **PRINTER**

[75] **Inventor: David E. Roche, Nashua, N.H.**

[73] **Assignee: Centronics Data Computer Corp., Hudson, N.H.**

[**] **Term: 14 Years**

[21] **Appl. No.: 26,084**

[22] **Filed: Apr. 2, 1979**

[52] **U.S. Cl. D14/111**

[58] **Field of Search D14/100-117;
364/900; 400/693; D18/13**

[56] **References Cited**

U.S. PATENT DOCUMENTS

- D. 221,084 7/1971 Fossella D14/50
- D. 237,906 12/1975 Hagstrom et al. D14/50

OTHER PUBLICATIONS

Datamation, 5-1976, p. 65-Printer (top left).

Primary Examiner—Susan J. Lucas
Attorney, Agent, or Firm—Weinstein & Sutton

[57] **CLAIM**

The ornamental design for a printer, as shown and described.

DESCRIPTION

FIG. 1 is a three-quarter perspective view showing the front, top and right-hand sides of a printer, showing my new design;

FIG. 2 is a three-quarter back perspective view showing the rear, top and right-hand sides thereof;

FIG. 3 is a top plan view thereof on a reduced scale;

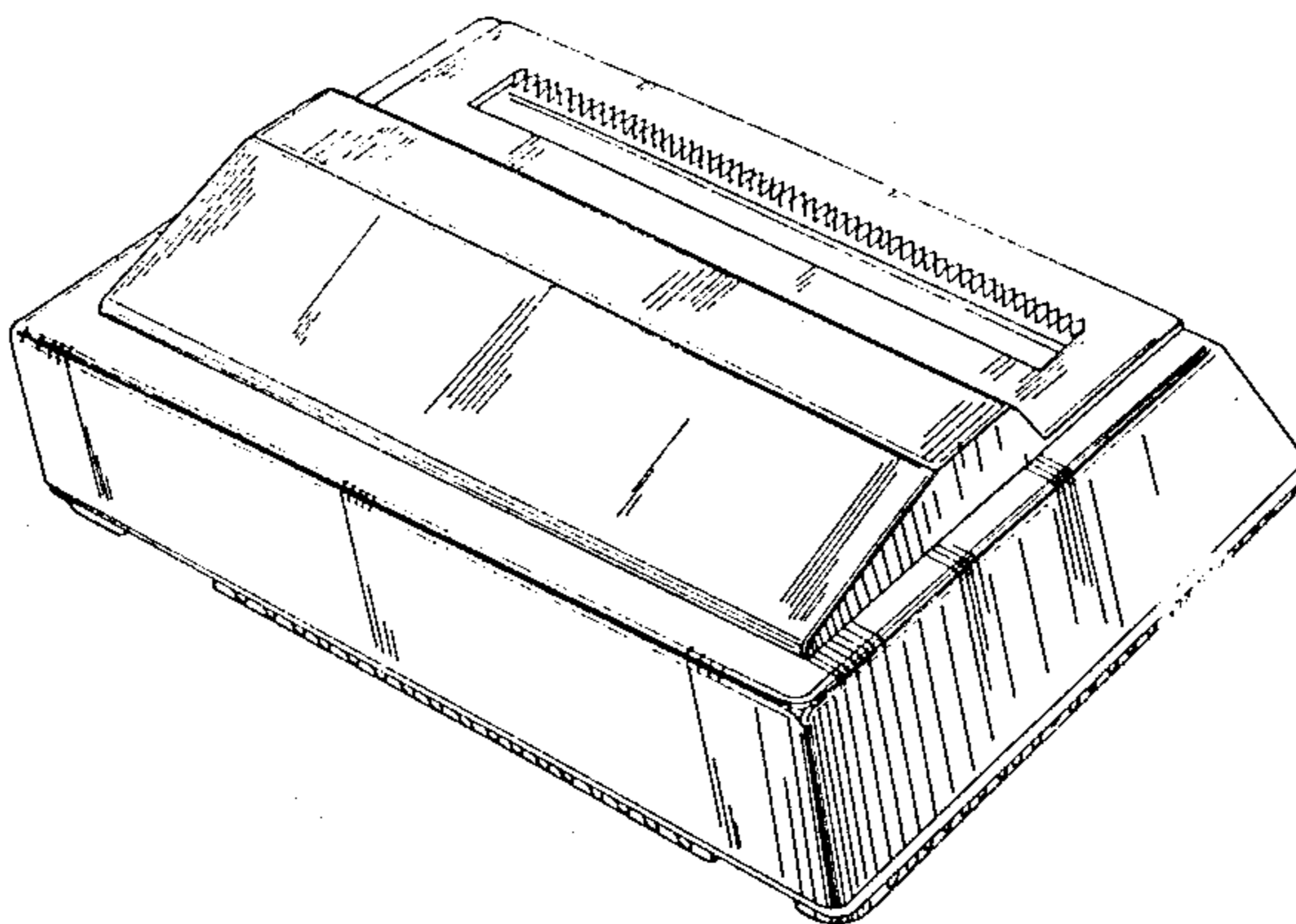
FIG. 4 is a right side elevational view thereof on a reduced scale;

FIG. 5 is a left side elevational view thereof on a reduced scale;

FIG. 6 is a front elevational view thereof on a reduced scale;

FIG. 7 is a rear elevational view thereof on a reduced scale; and

FIG. 8 is a bottom plan view thereof on a reduced scale.



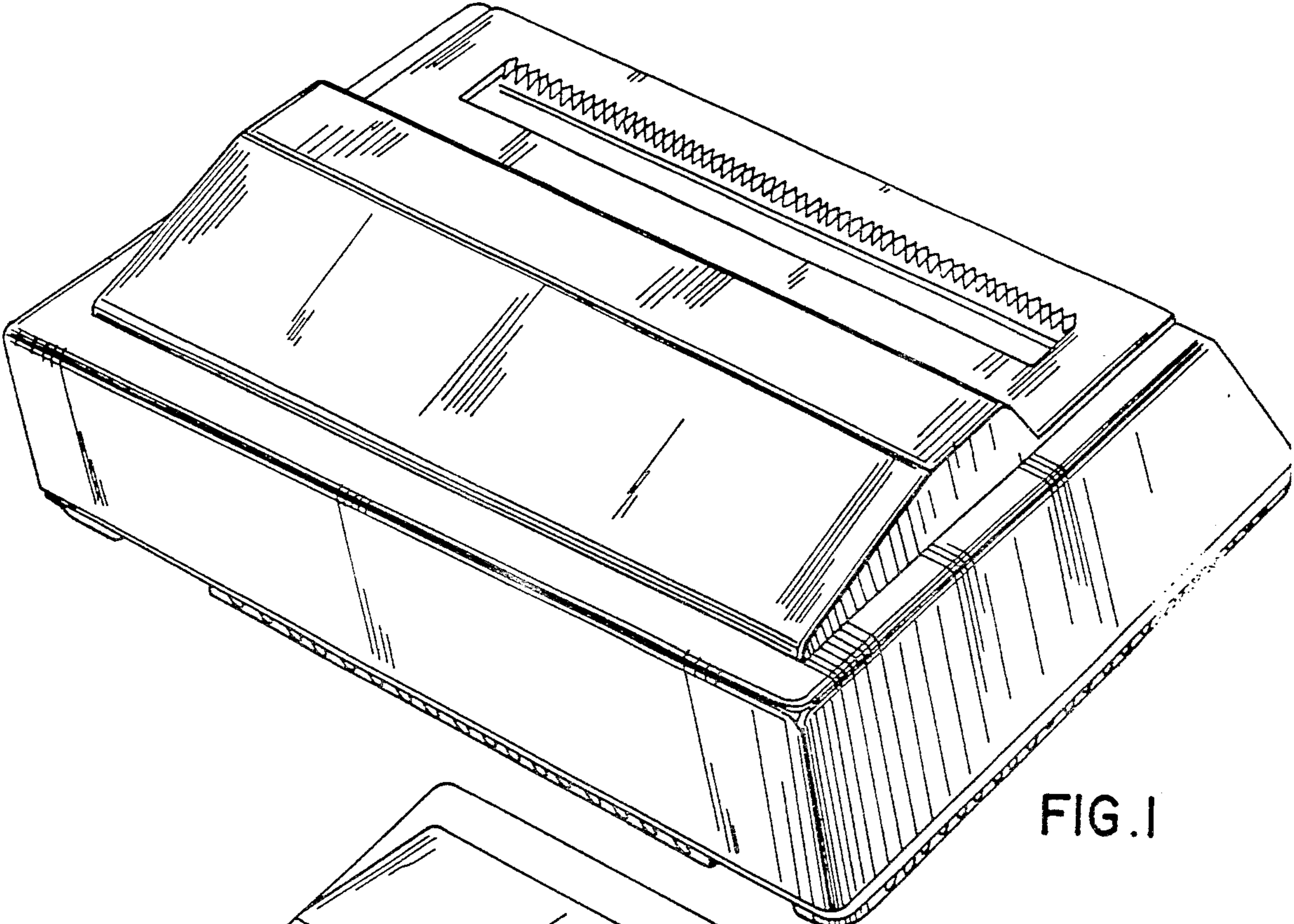


FIG. 1

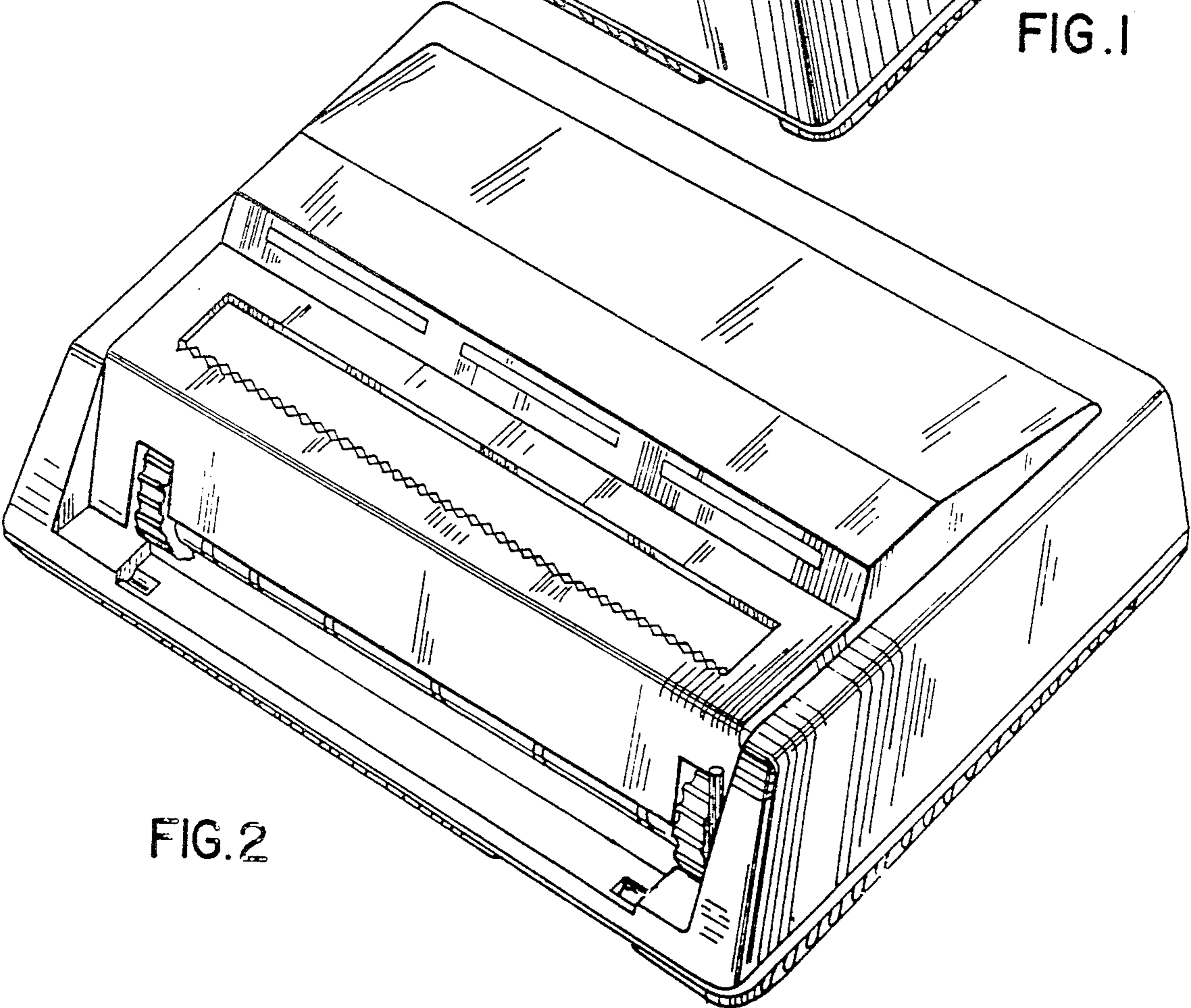


FIG. 2

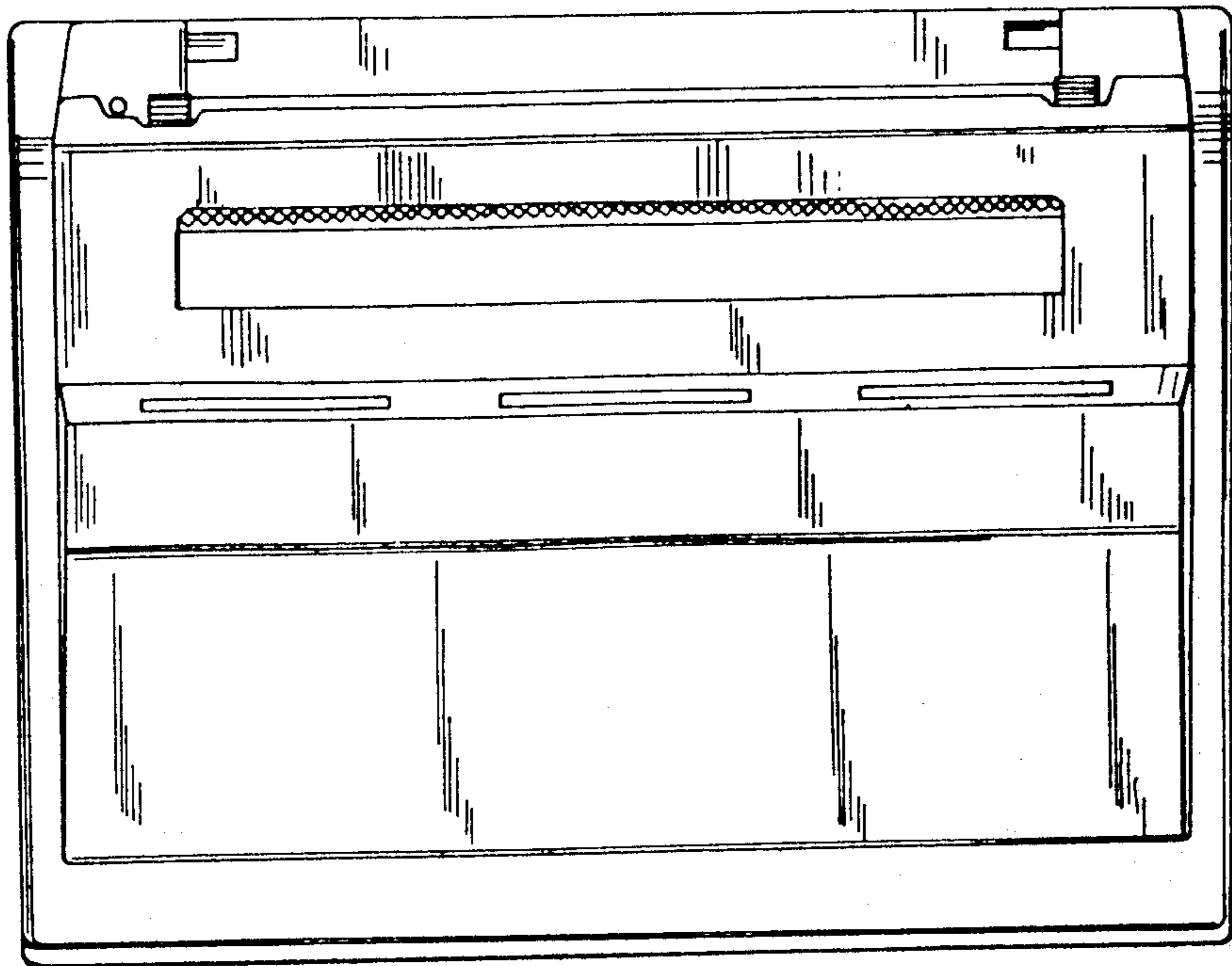


FIG. 3

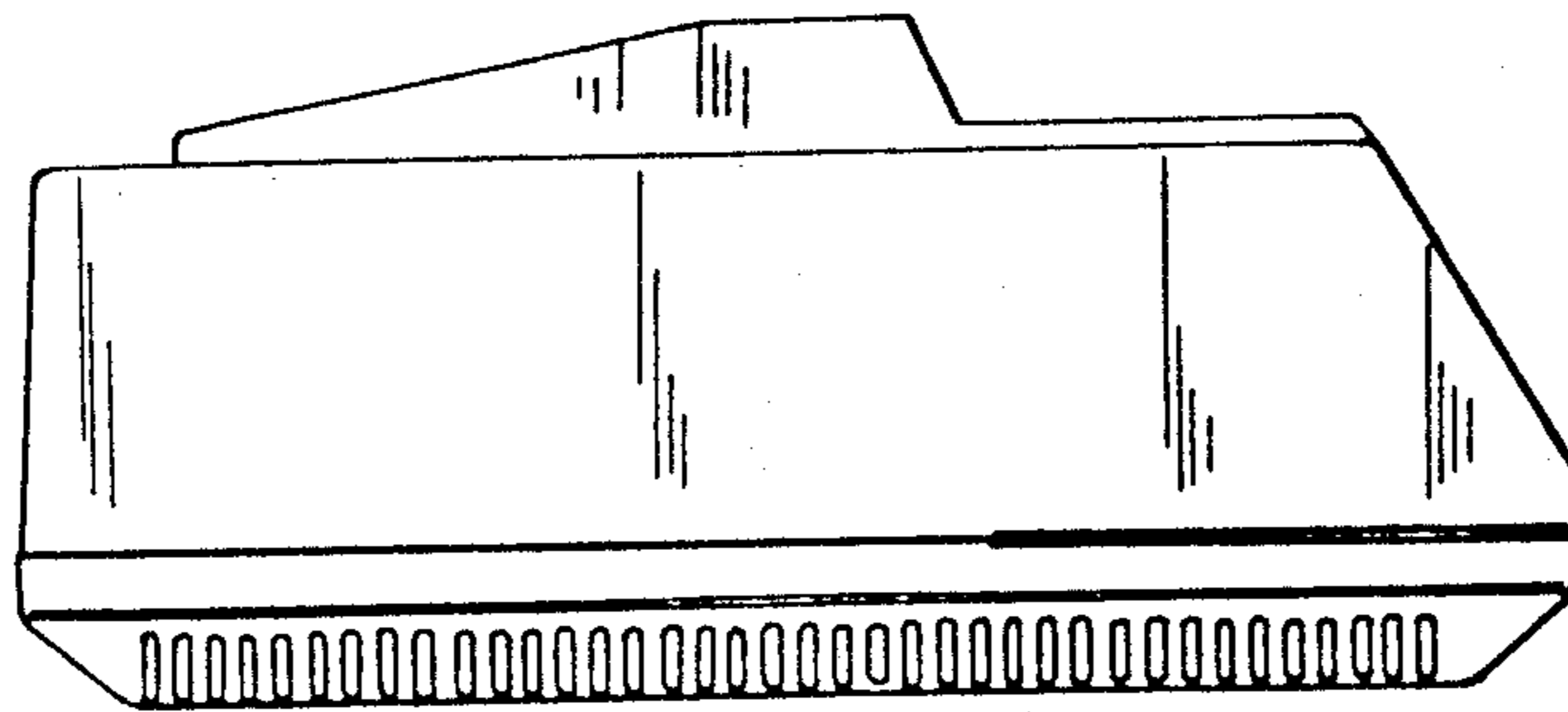


FIG. 4

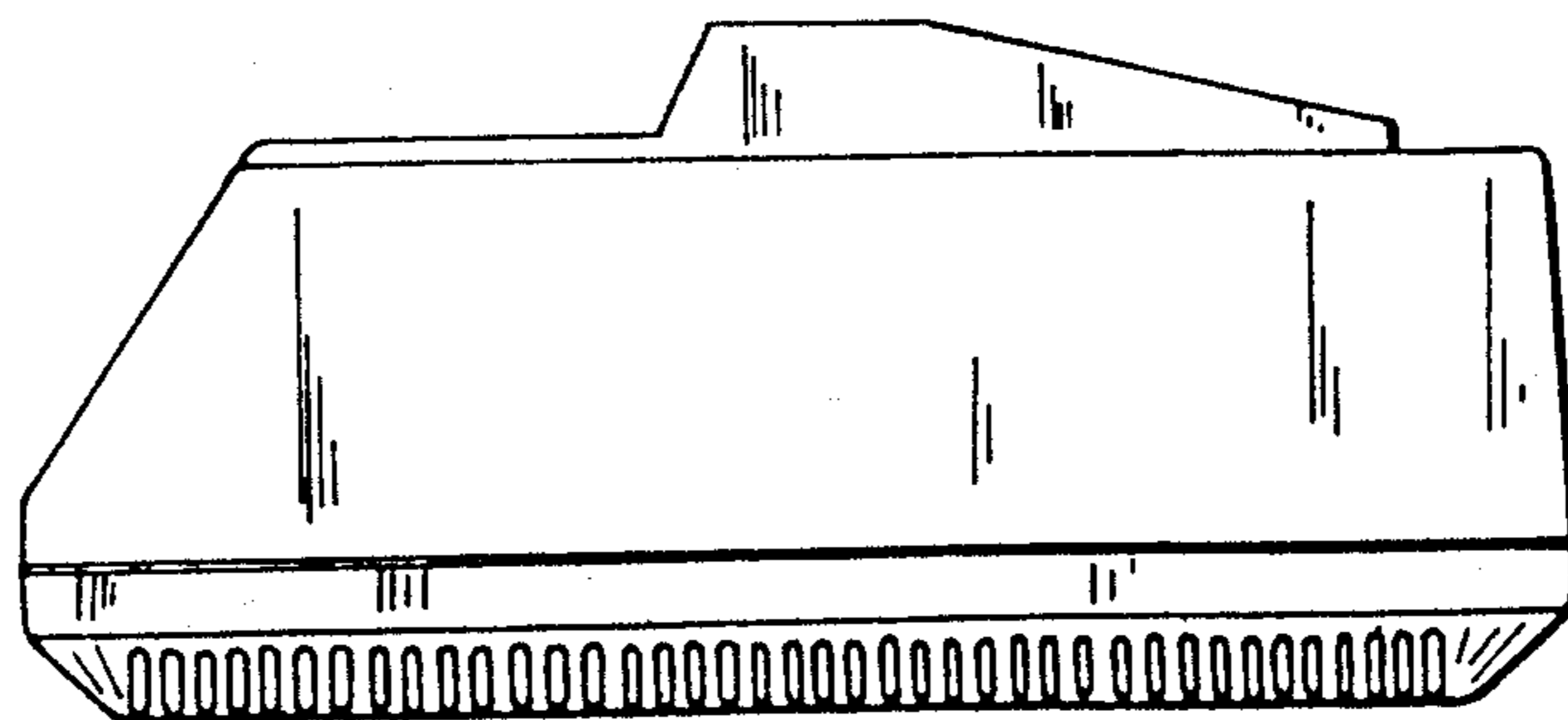


FIG. 5

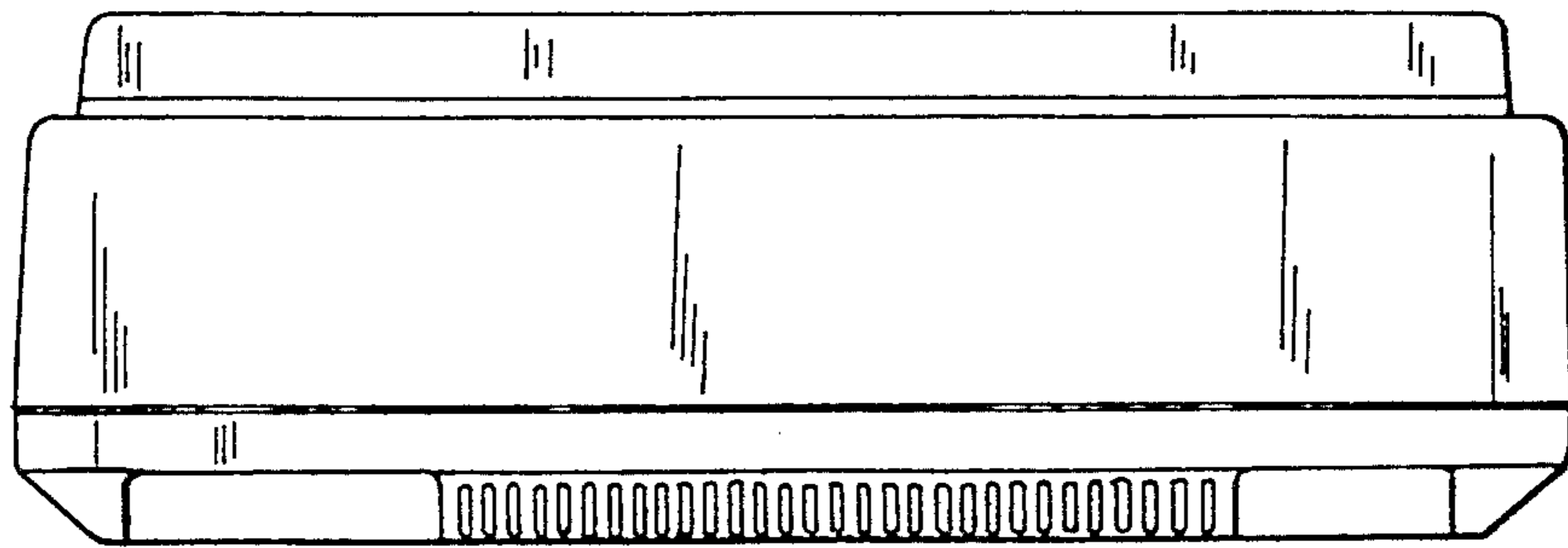


FIG. 6

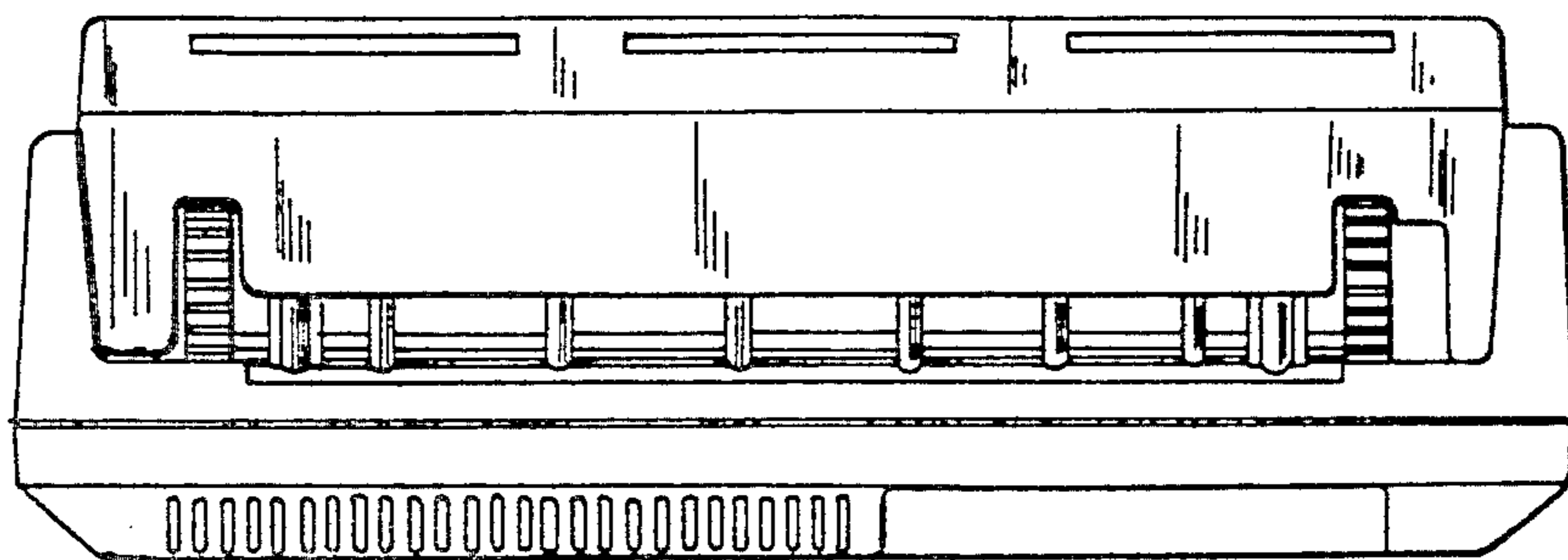


FIG. 7

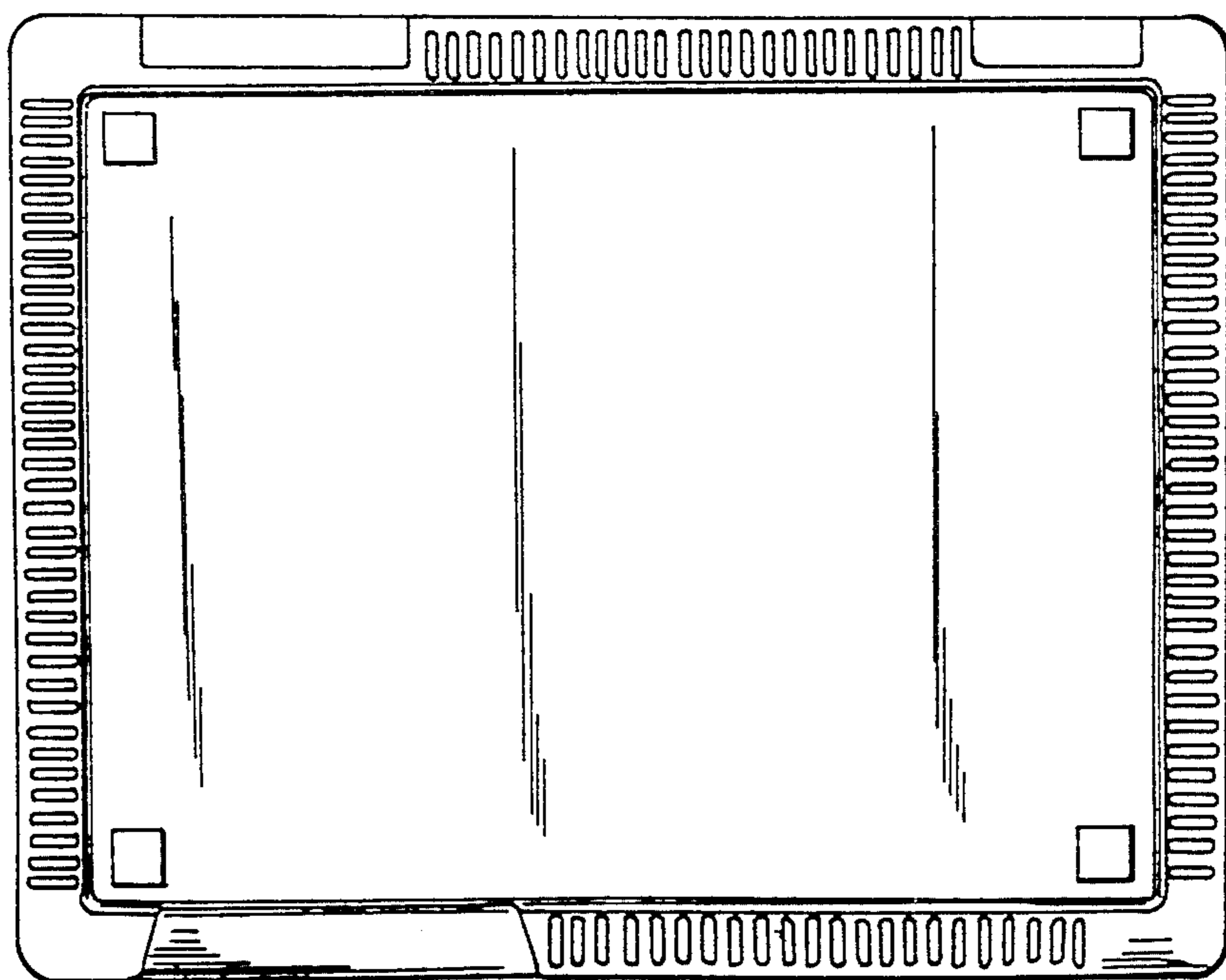


FIG. 8