

[54] SEISMIC EXPLORATION VEHICLE

[75] Inventors: Marvin G. Bays; James L. Carothers, both of Ponca City, Okla.

[73] Assignee: Mertz, Inc., Ponca City, Okla.

[\*\*] Term: 14 Years

[21] Appl. No.: 242,357

[22] Filed: Mar. 10, 1981

[52] U.S. Cl. .... D12/1

[58] Field of Search ..... D12/1; D15/22; 181/114

[56] References Cited

U.S. PATENT DOCUMENTS

3,905,446	9/1975	Ross .....	181/114
3,929,206	12/1975	Bedenbender et al. ....	181/114
4,114,722	9/1978	Weber et al. ....	181/114

OTHER PUBLICATIONS

Litton Resources Systems Flyer, ©1976, AHV-6 Vibrator Vehicle, top of page.

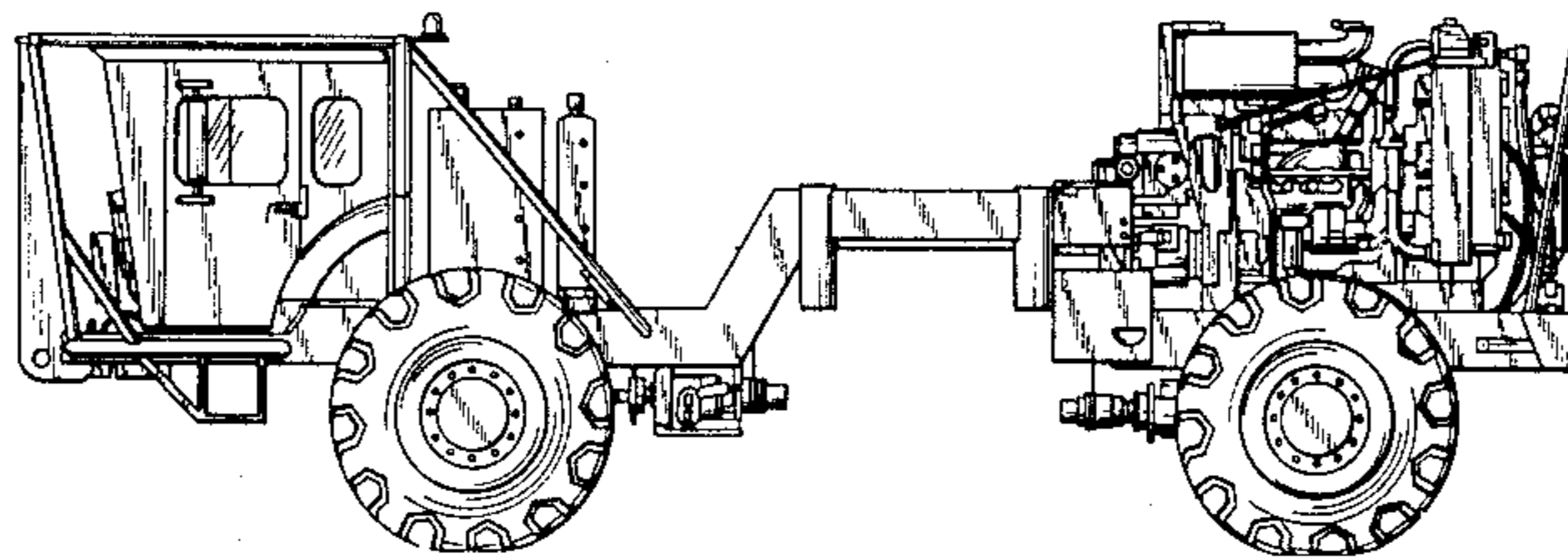
Primary Examiner—James M. Gandy  
Attorney, Agent, or Firm—Dunlap & Coddling

[57] CLAIM

The ornamental design for a seismic exploration vehicle, as shown and described.

DESCRIPTION

FIG. 1 is a left side elevational view of a seismic exploration vehicle embodying my new design; FIG. 2 is a right side elevational view thereof; FIG. 3 is a top plan view thereof; FIG. 4 is a front elevational view thereof; and FIG. 5 is a rear elevational view thereof.



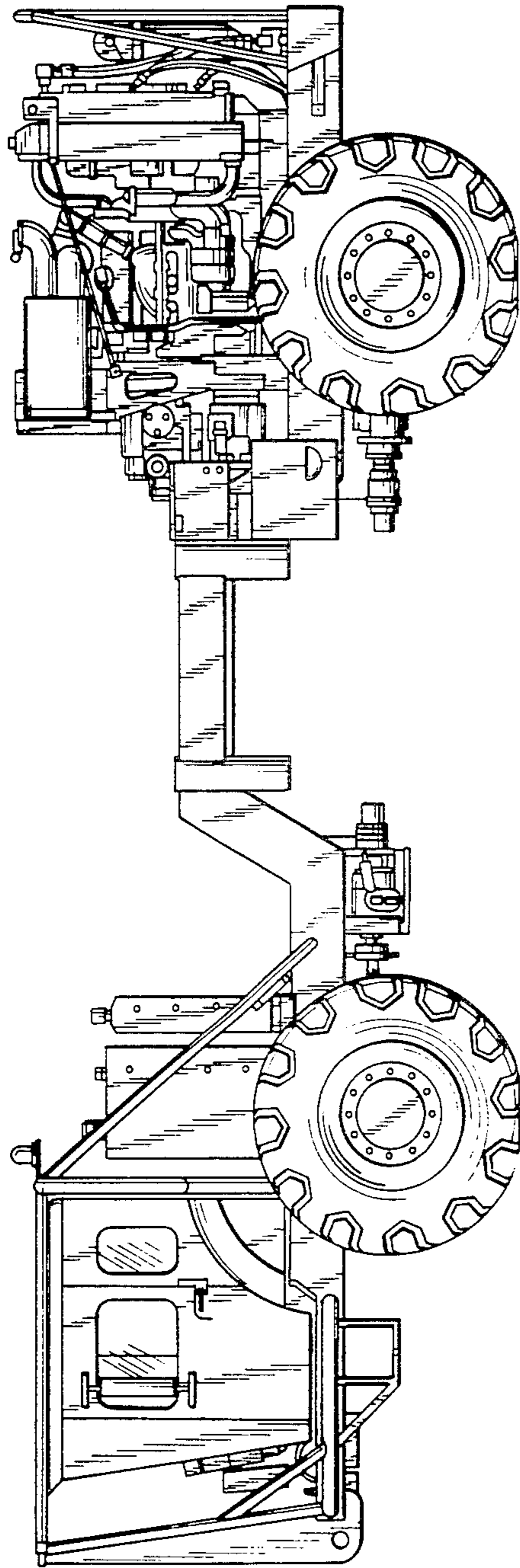


FIG. 1

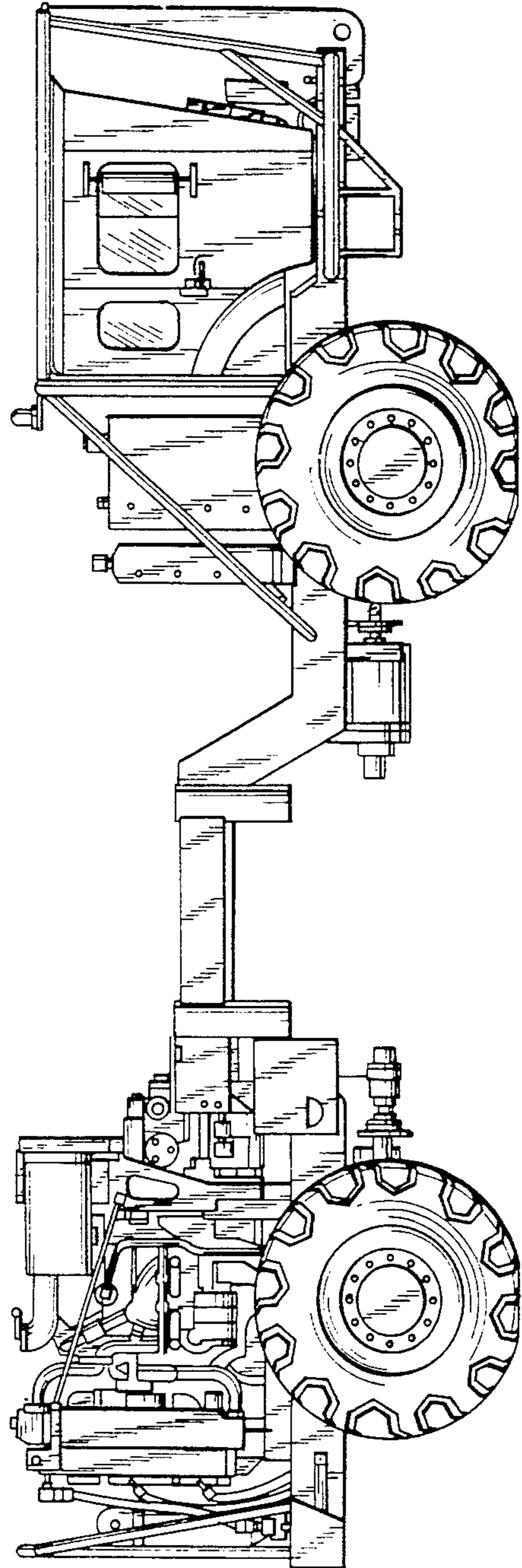


FIG. 2

