

[54] PORTABLE ELECTRICAL RESISTANCE SENSING WAND

D. 249,654 9/1978 Shaper D10/56 X
D. 250,882 1/1979 Johanson D10/56
4,268,824 5/1981 Phillips 324/65 R X

[76] Inventor: David G. Allender, Jr., 1651 Parrott Dr., San Mateo, Calif. 94402

[*] Notice: The portion of the term of this patent subsequent to Aug. 9, 1997 has been disclaimed.

[**] Term: 14 Years

[21] Appl. No.: 279,870

[22] Filed: Jul. 2, 1981

[52] U.S. Cl. D10/56; D10/78; D10/103; D10/57

[58] Field of Search D10/46, 47, 50-53, D10/57, 56, 60, 75, 78, 80, 103; 77/73, 336; 324/65 R, 156, 157

[56] References Cited

U.S. PATENT DOCUMENTS

D. 54,779 4/1980 Sulek D10/57
D. 247,099 1/1978 Schwartz D10/56
D. 247,161 2/1978 Fernandez D10/46
D. 247,702 4/1978 Schwartz D10/56

OTHER PUBLICATIONS

Retailing Home Furnishings, 1/17/77, Sec. 3, p. 54, Moisture Meters at left and center.

Primary Examiner—Nelson C. Holtje
Attorney, Agent, or Firm—Robert W. Dilts

[57] CLAIM

The ornamental design for a portable electrical resistance sensing wand, substantially as shown.

DESCRIPTION

FIG. 1 is a top and left front perspective view of a portable electrical resistance sensing wand showing my new design;

FIG. 2 is a bottom plan view thereof;

FIG. 3 is a top plan view thereof;

FIG. 4 is a left side elevational view thereof;

FIG. 5 is a right side elevational view thereof;

FIG. 6 is a front elevational view thereof;

FIG. 7 is a rear elevational view thereof.

The wands of FIGS. 1-3 and 6-7 are shown broken away for ease of illustration.

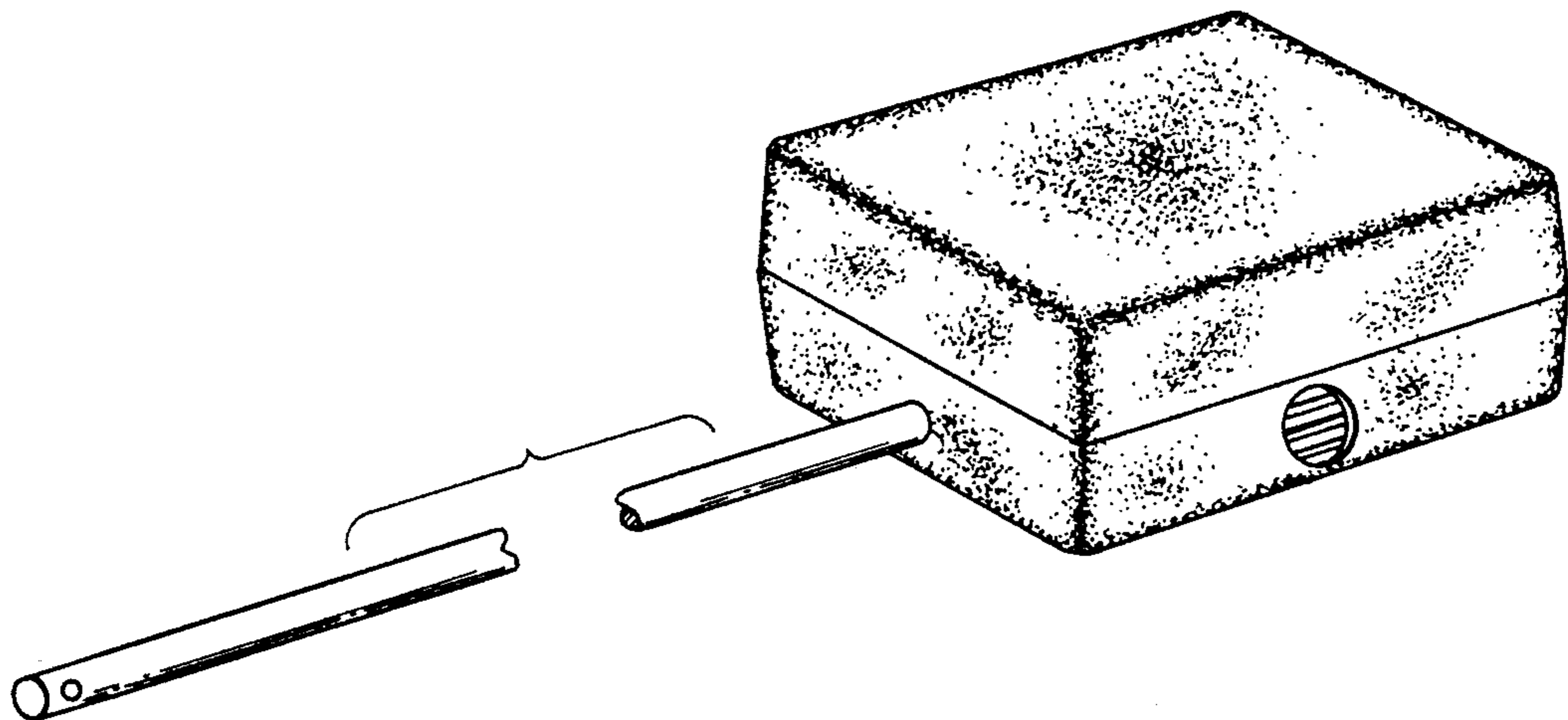


FIG _ 1

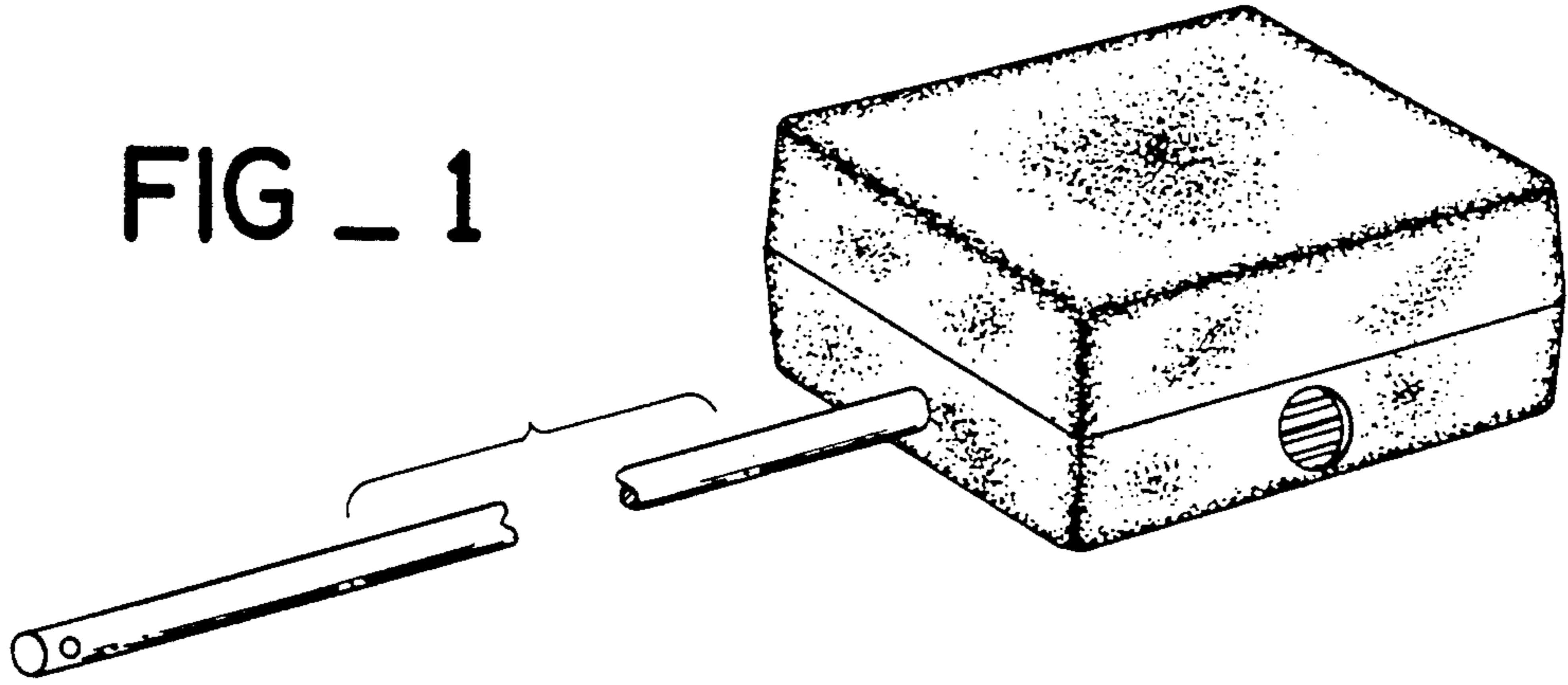


FIG _ 2



FIG _ 3

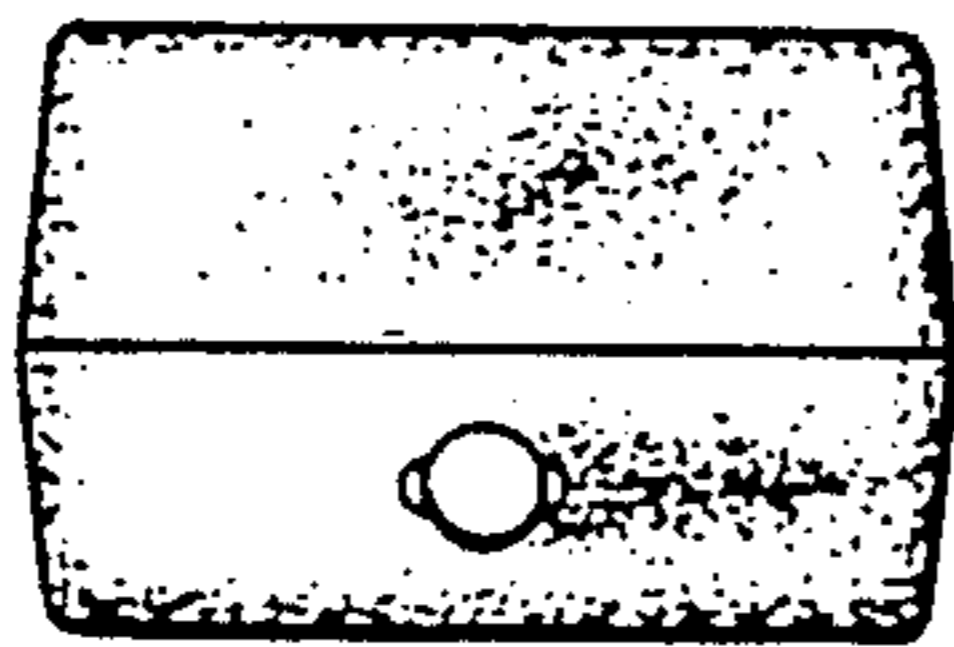


FIG _ 4

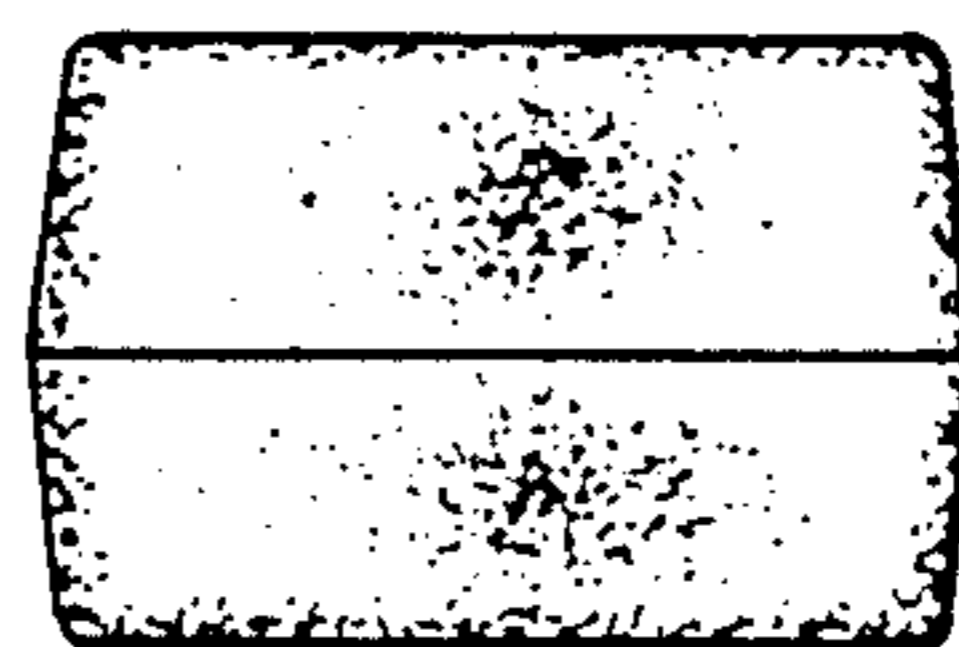


FIG _ 5

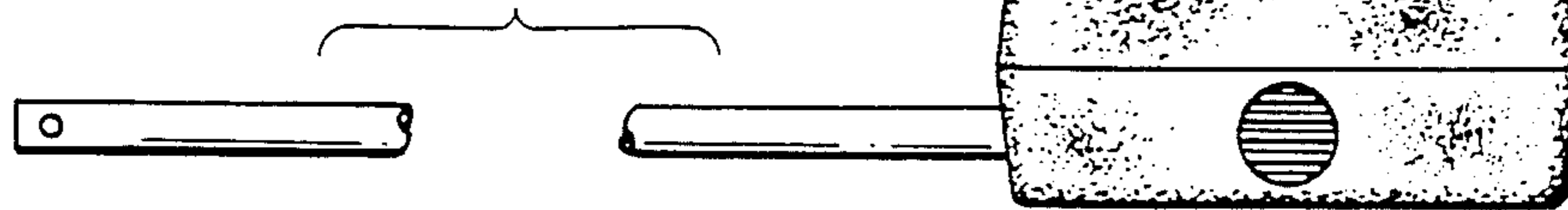


FIG _ 6

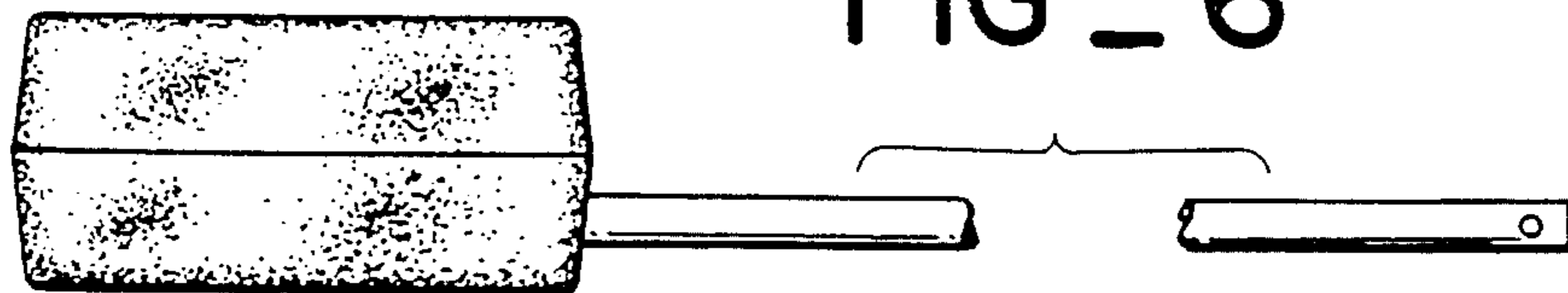


FIG _ 7