

[54] BOTTLE

[75] Inventor: Serge Mansau, Neuilly sur Seine, France

[73] Assignee: American Cyanamid Co., Stamford, Conn.

[\*\*] Term: 14 Years

[21] Appl. No.: 389,649

[22] Filed: Jun. 18, 1982

[30] Foreign Application Priority Data

Jan. 15, 1982 [FR] France ..... 820110  
[52] U.S. Cl. .... D9/403  
[58] Field of Search ..... D9/367, 384, 403, 406, D9/413; 215/1 R, 1 C

[56] References Cited

U.S. PATENT DOCUMENTS

D. 37,712 12/1905 Kochstadter ..... D9/403  
D. 62,804 7/1923 Quan ..... D9/413  
D. 82,593 11/1930 Teague ..... D9/405  
D. 87,142 6/1932 Barbiers ..... D9/406

D. 100,434 7/1936 McIntosh ..... D9/384  
D. 116,866 9/1939 Smith ..... D9/403  
D. 253,033 10/1979 Meyer et al. .... D9/413

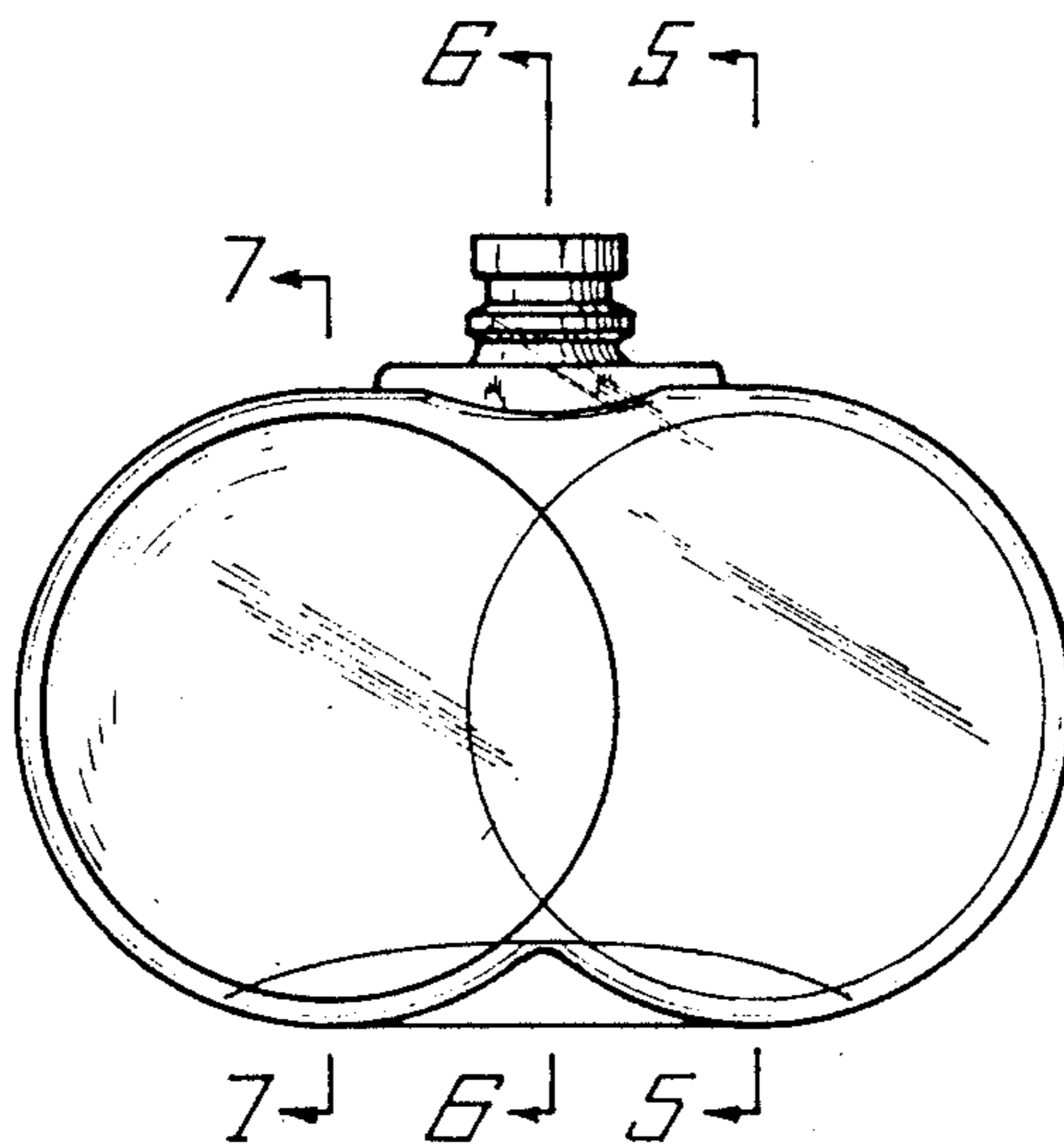
Primary Examiner—Robert C. Spangler  
Attorney, Agent, or Firm—Charles J. Fickey

[57] CLAIM

The ornamental design for a bottle, substantially as shown and described.

DESCRIPTION

FIG. 1 is an elevational view of a bottle showing my new design, the opposite side being the same in appearance;  
FIG. 2 is a top plan view;  
FIG. 3 is a bottom plan view;  
FIG. 4 is a view looking from the right of FIG. 1, the opposite side being the same in appearance as the side shown;  
FIG. 5 is a sectional view taken on the line 5—5 of FIG. 1;  
FIG. 6 is a sectional view taken on the line 6—6 of FIG. 1; and  
FIG. 7 is a sectional view taken on the line 7—7 of FIG. 1.



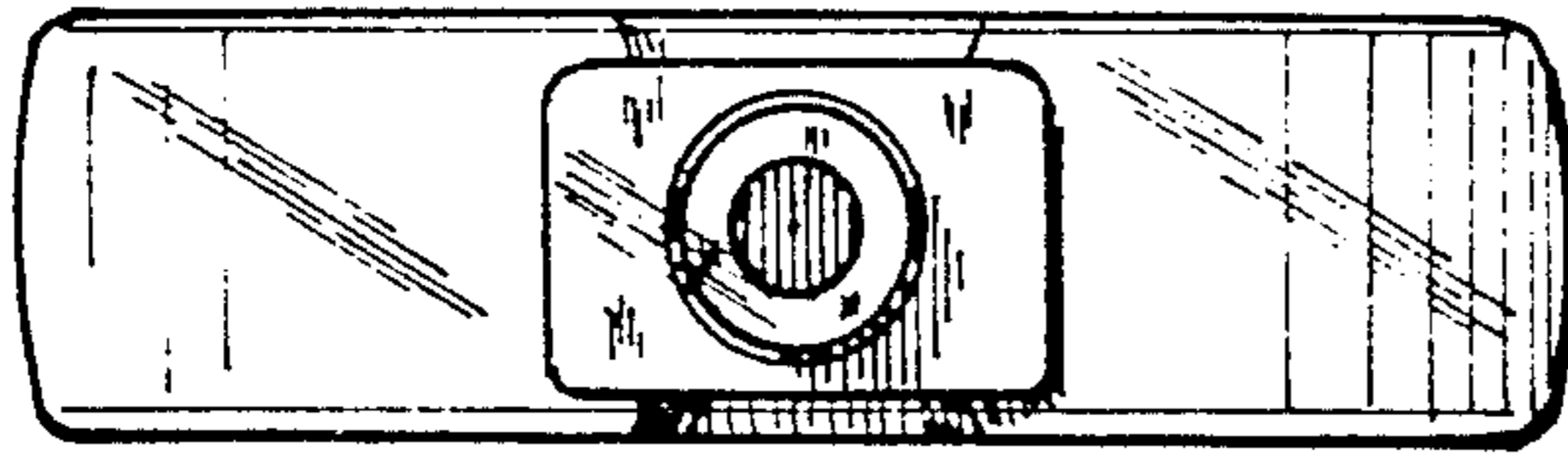


FIG. 2

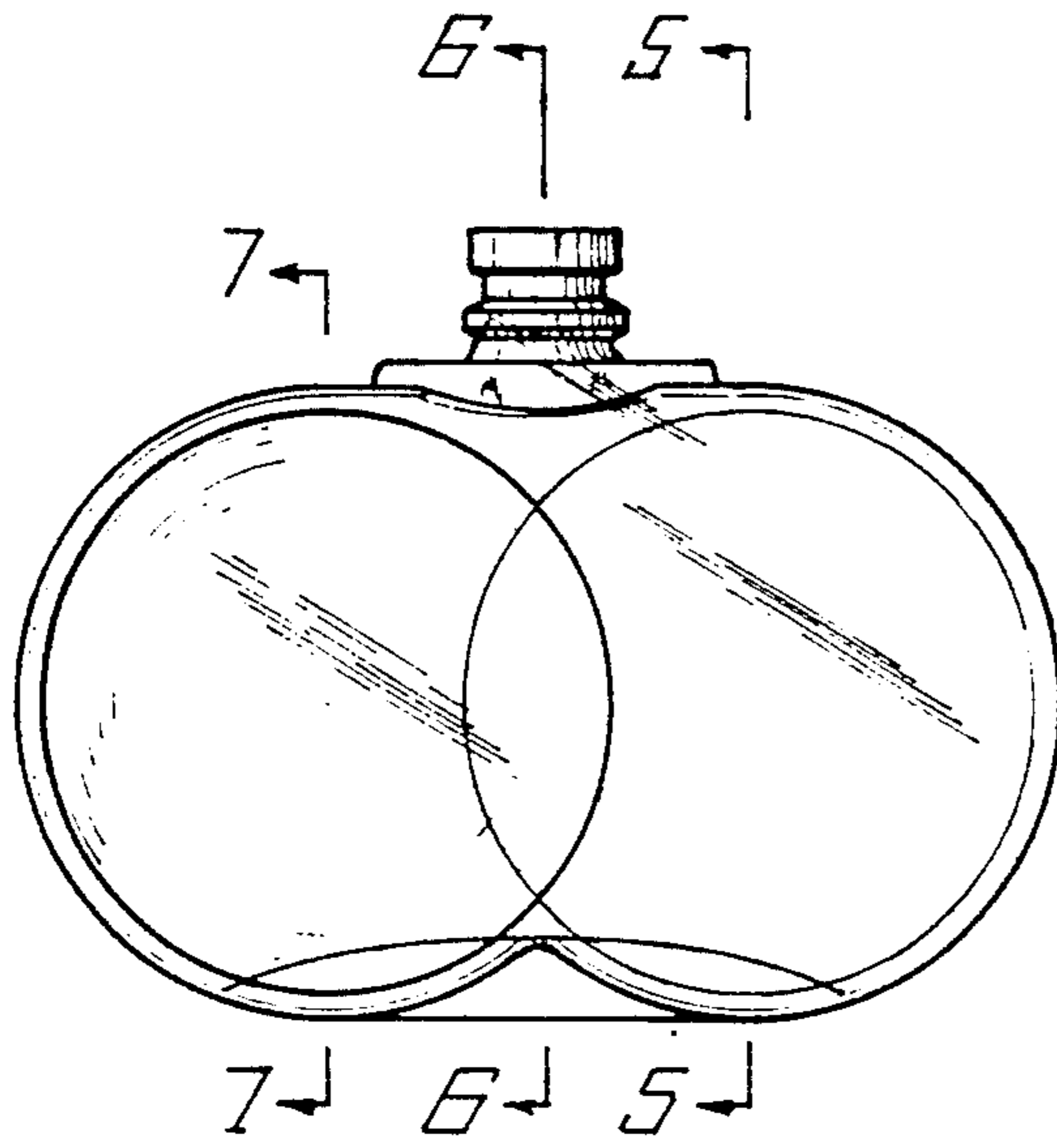


FIG. 1

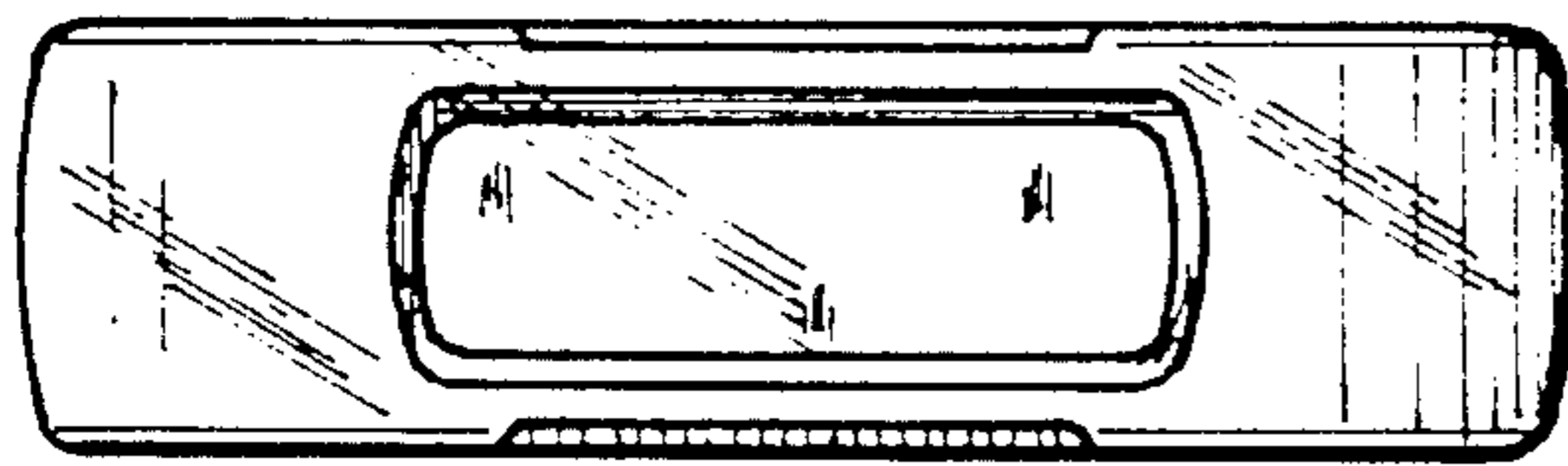


FIG. 3

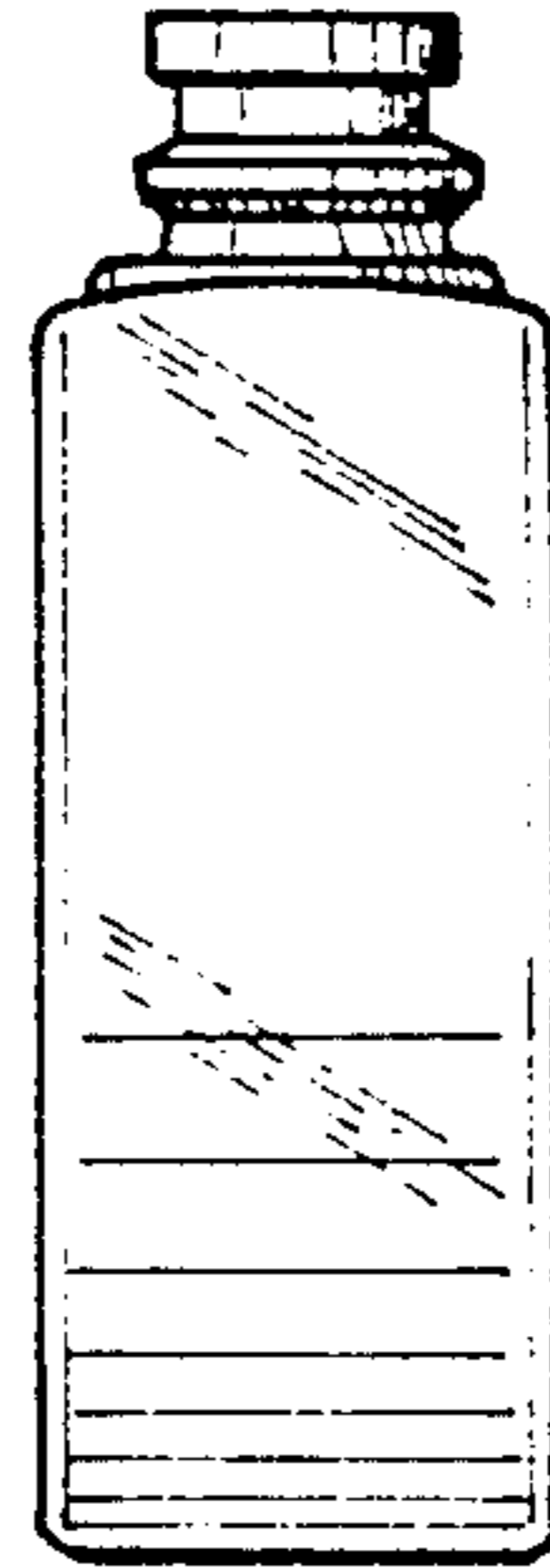


FIG. 4

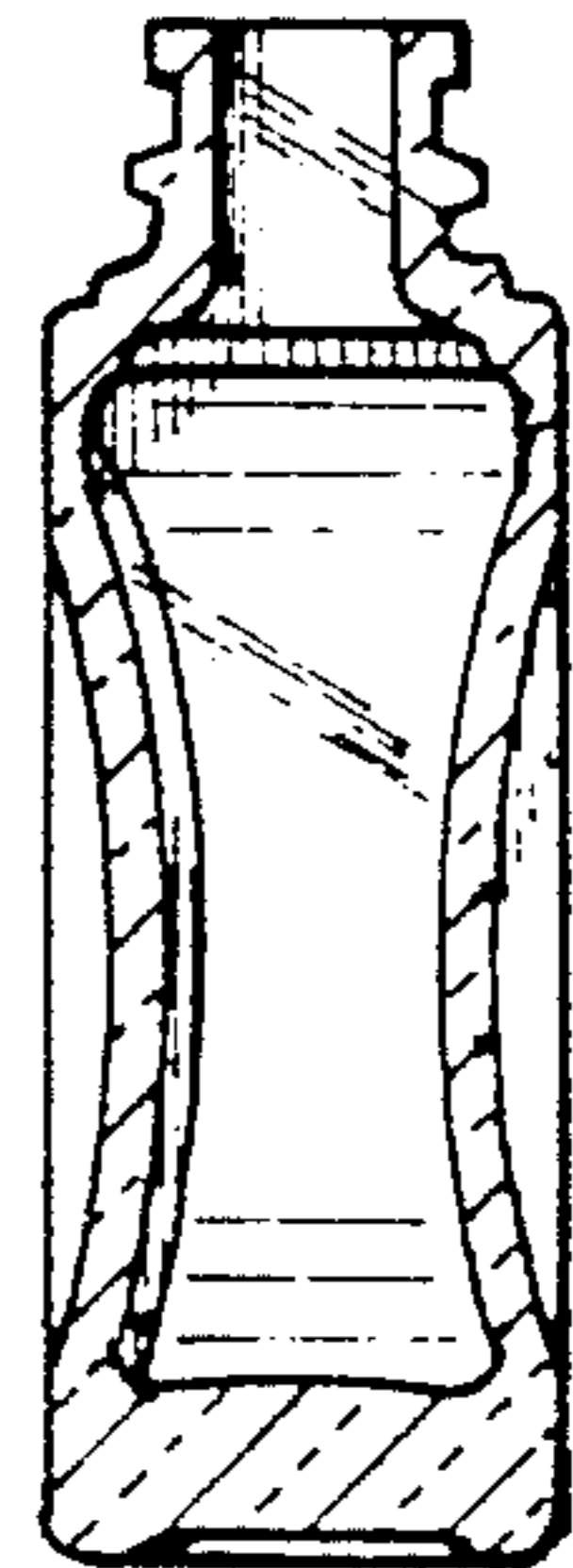


FIG. 6

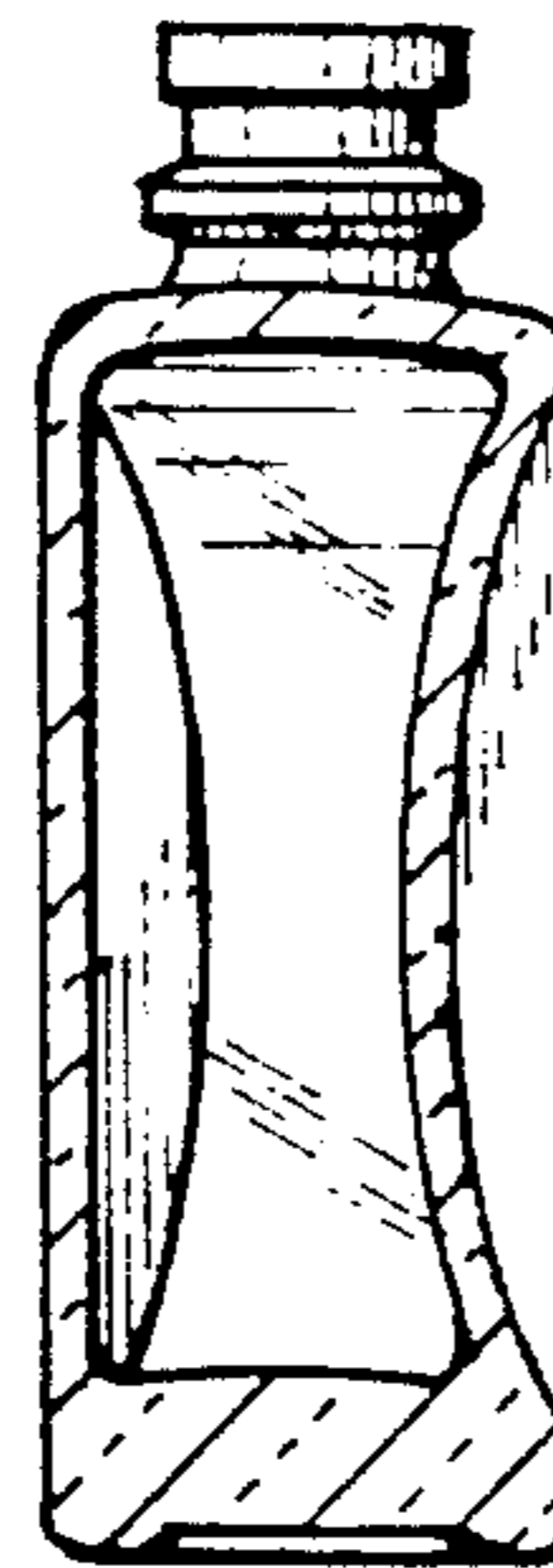


FIG. 5

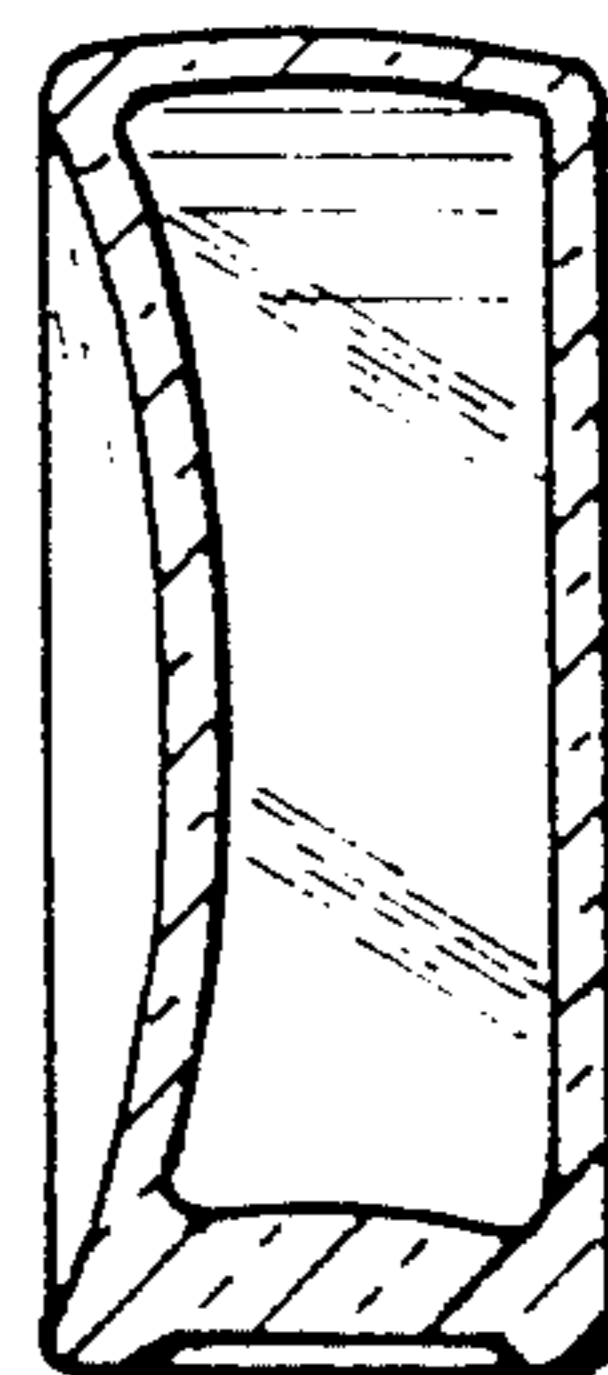


FIG. 7