

[54] COFFEEMAKER BASE

[76] Inventor: Robert K. Cleland, 11051 Via El Mercado, Los Alamitos, Calif. 90720

[**] Term: 14 Years

[21] Appl. No.: 310,096

[22] Filed: Oct. 9, 1981

[52] U.S. Cl. D7/399; D7/367

[58] Field of Search D7/407, 408, 409, 355, D7/356, 362, 363, 364, 366, 367, 399, 400, 403; 219/443, 432, 433, 283; 99/288; 241/282.2

[56] References Cited

U.S. PATENT DOCUMENTS

D. 215,514	9/1969	Betzer	D7/363
D. 217,380	4/1970	Schugart	D7/399
D. 259,168	5/1981	Petrie	D7/367
2,194,837	3/1940	Smith	D7/363
3,509,813	5/1970	Appelt	D7/359

OTHER PUBLICATIONS

Best Products Catalog 1980, p. 241, Mr. Coffee, item #11.

Primary Examiner—Wallace R. Burke
Assistant Examiner—Lynn Wilder
Attorney, Agent, or Firm—Georges A. Maxwell

[57] CLAIM

The ornamental design for a coffeemaker base, as shown and described.

DESCRIPTION

FIG. 1 is an isometric view of a coffeemaker base embodying my new design;
FIG. 2 is a top plan view thereof;
FIG. 3 is a bottom plan view thereof;
FIG. 4 is a front elevational view thereof;
FIG. 5 is a left side elevational view thereof;
FIG. 6 is a rear elevational view thereof; and
FIG. 7 is a right side elevational view thereof.
The cord shown in broken lines in FIGS. 2, 5 and 7 is for illustrative purposes only.

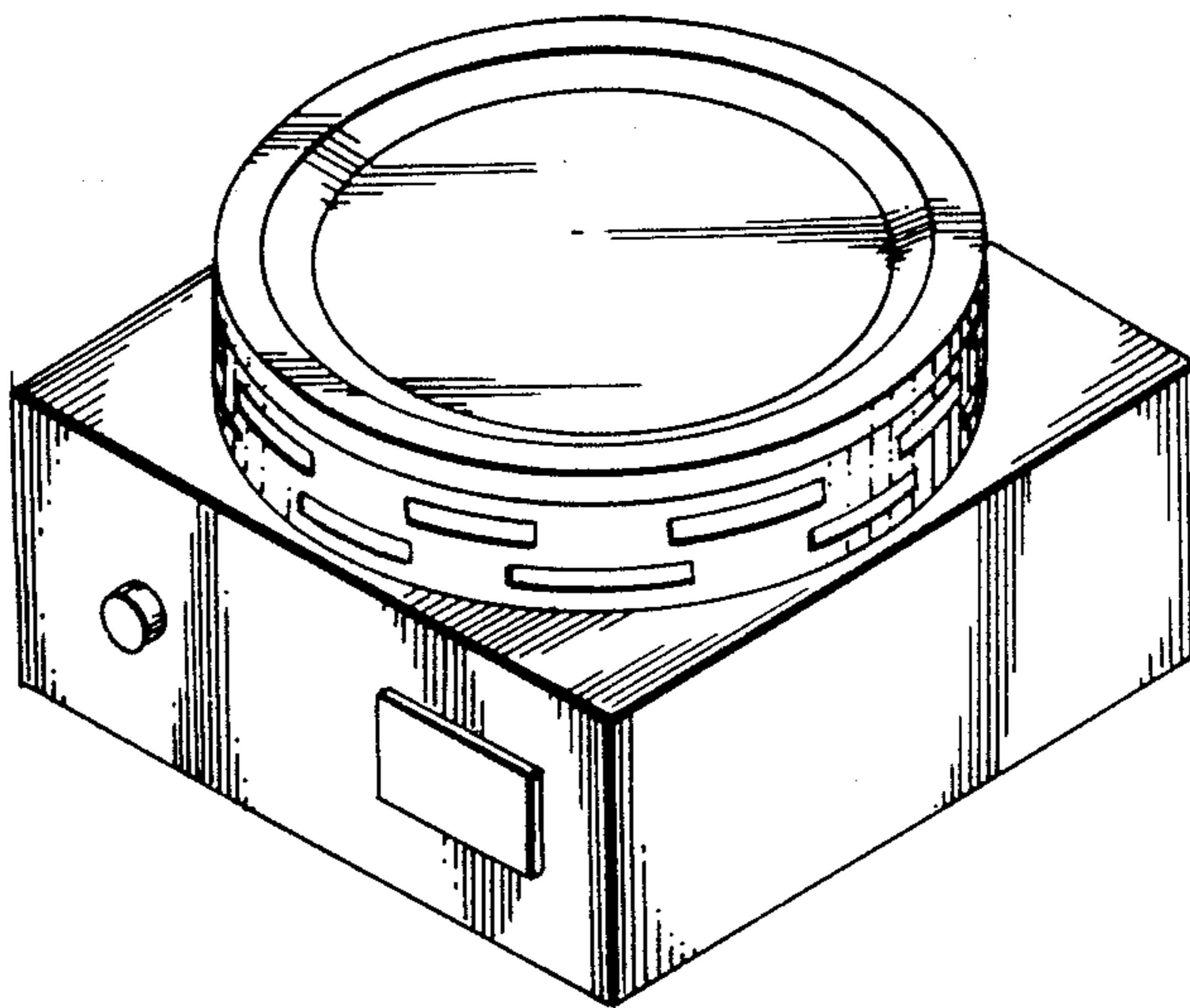


Fig. 1.

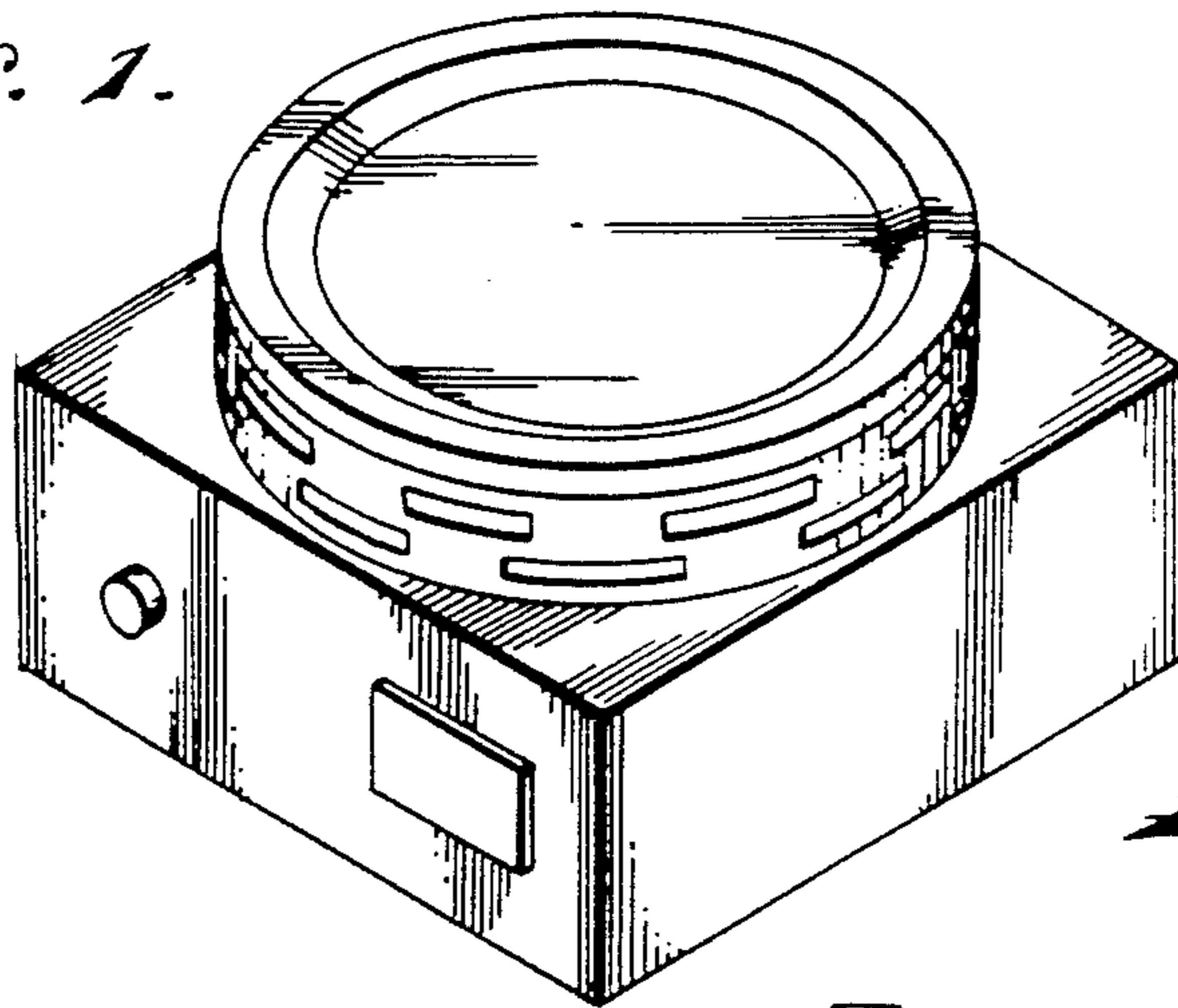


Fig. 2.

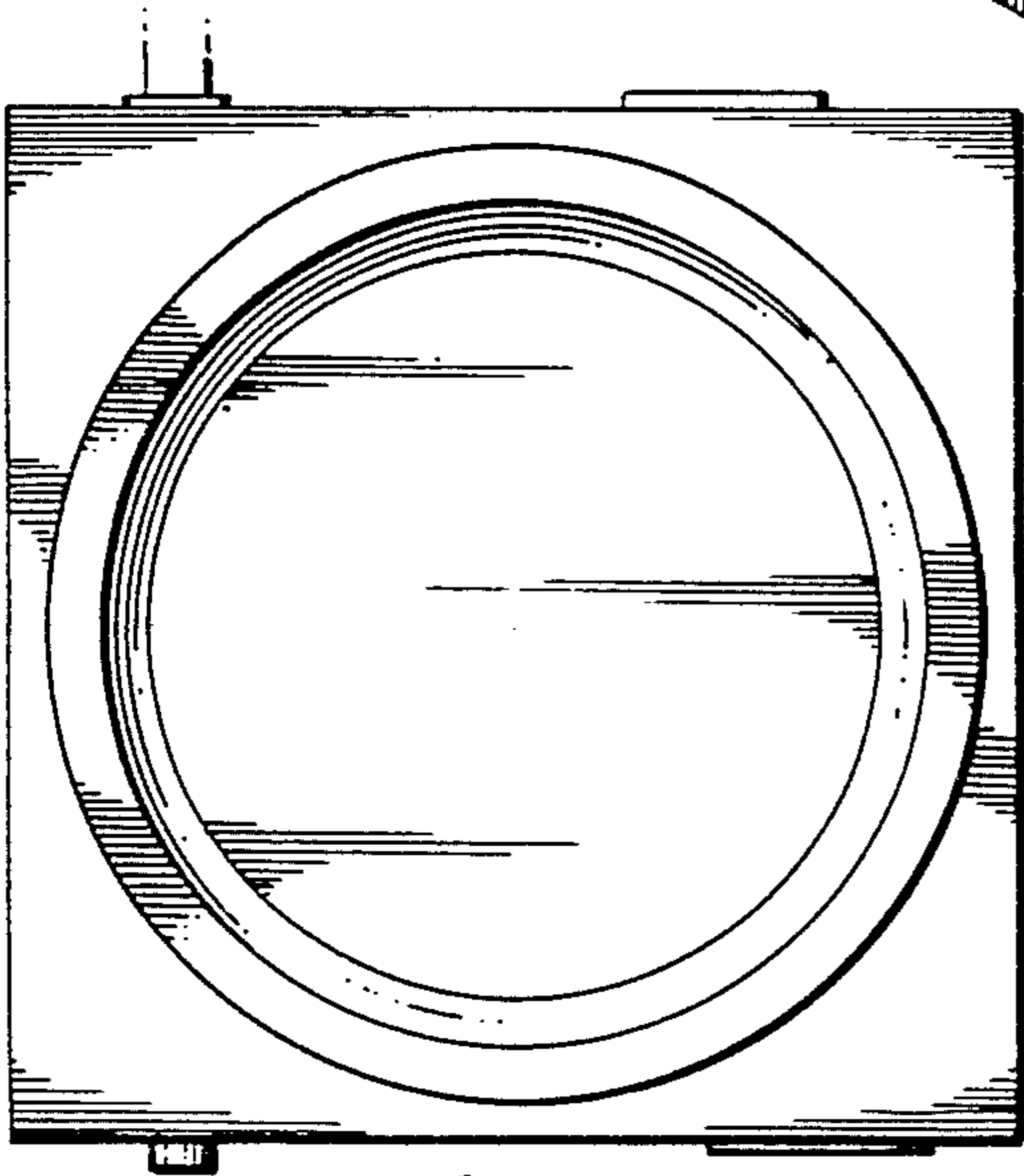


Fig. 3.

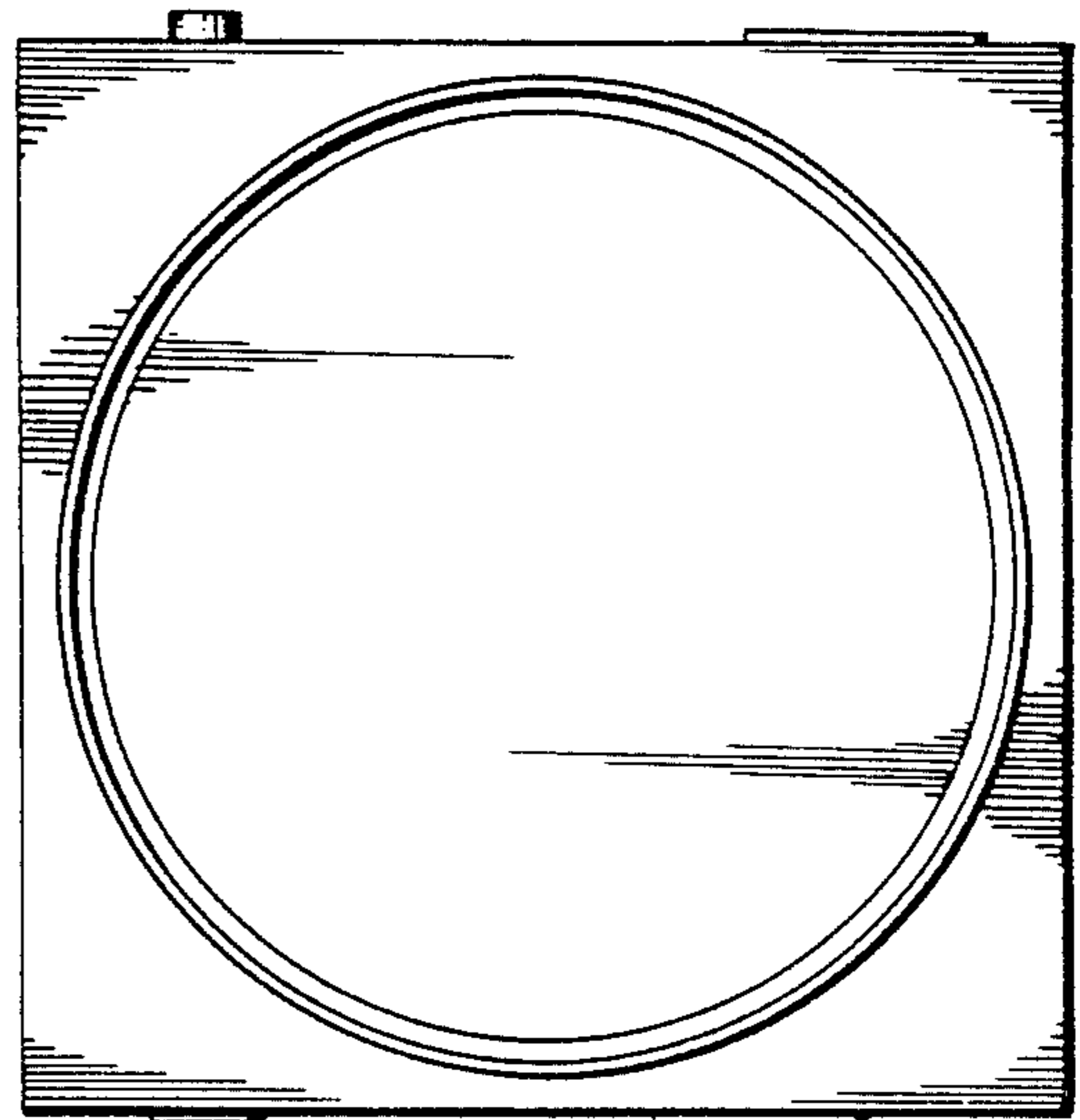


Fig. 4.

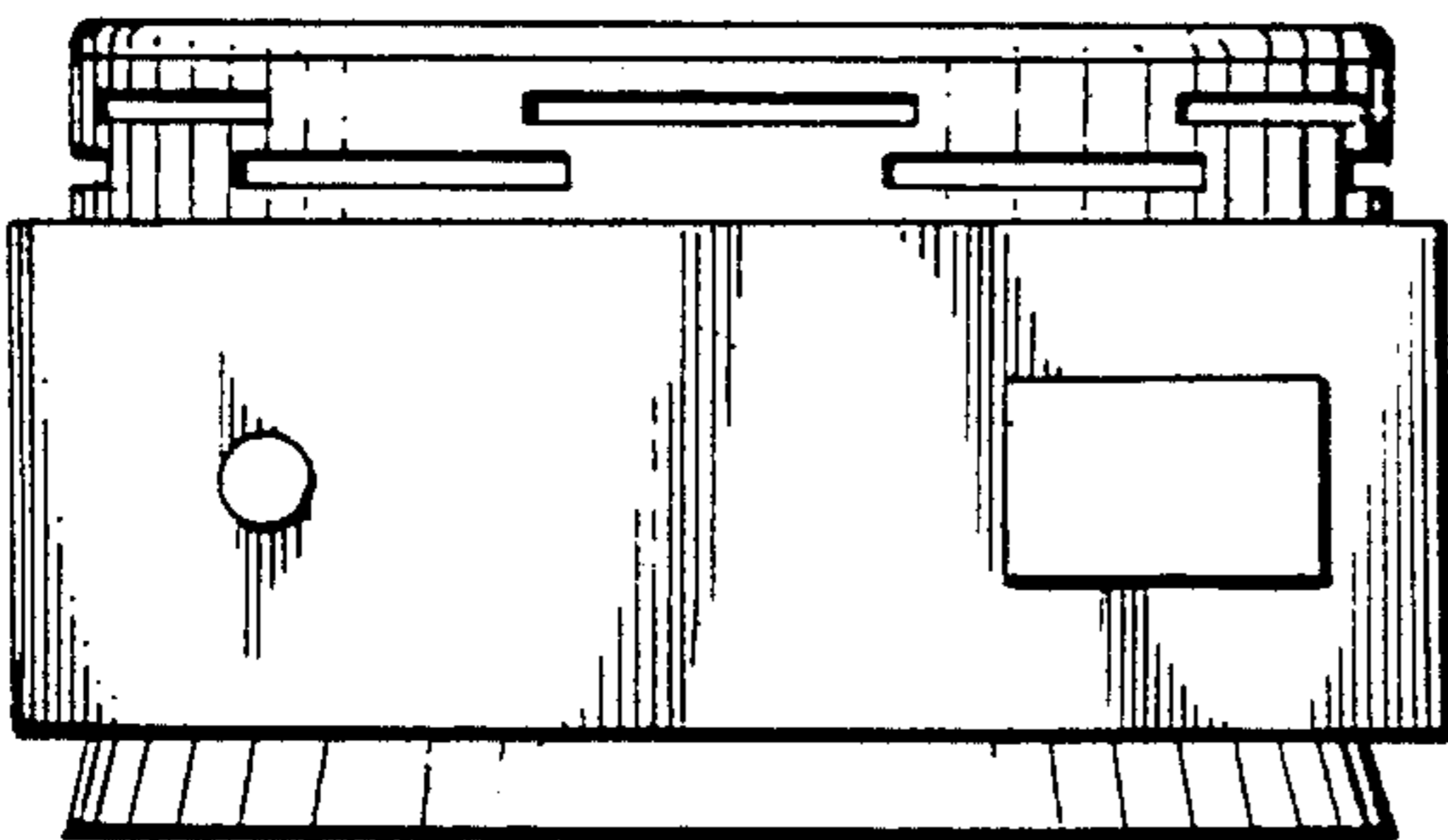


Fig. 5.

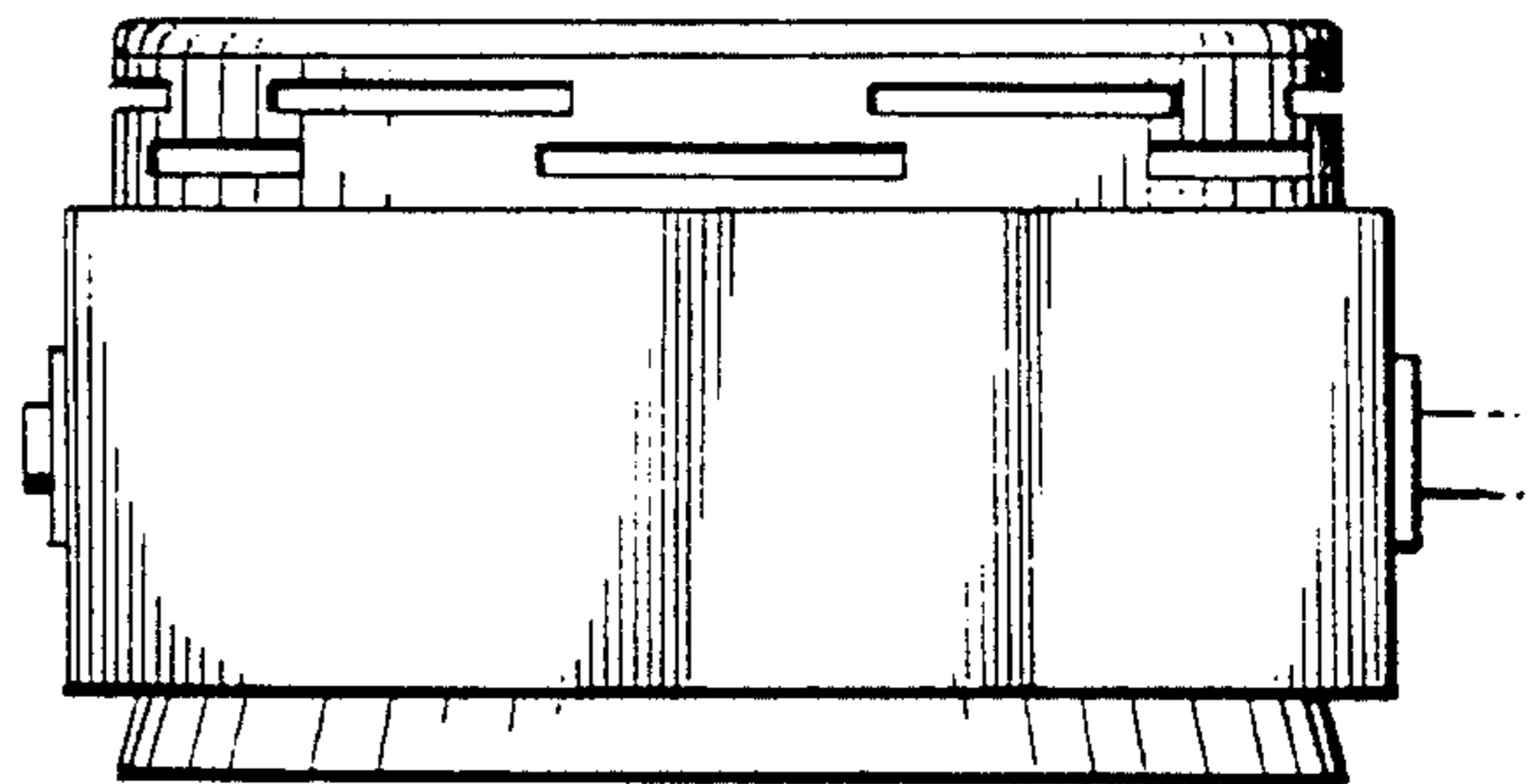


Fig. 6.

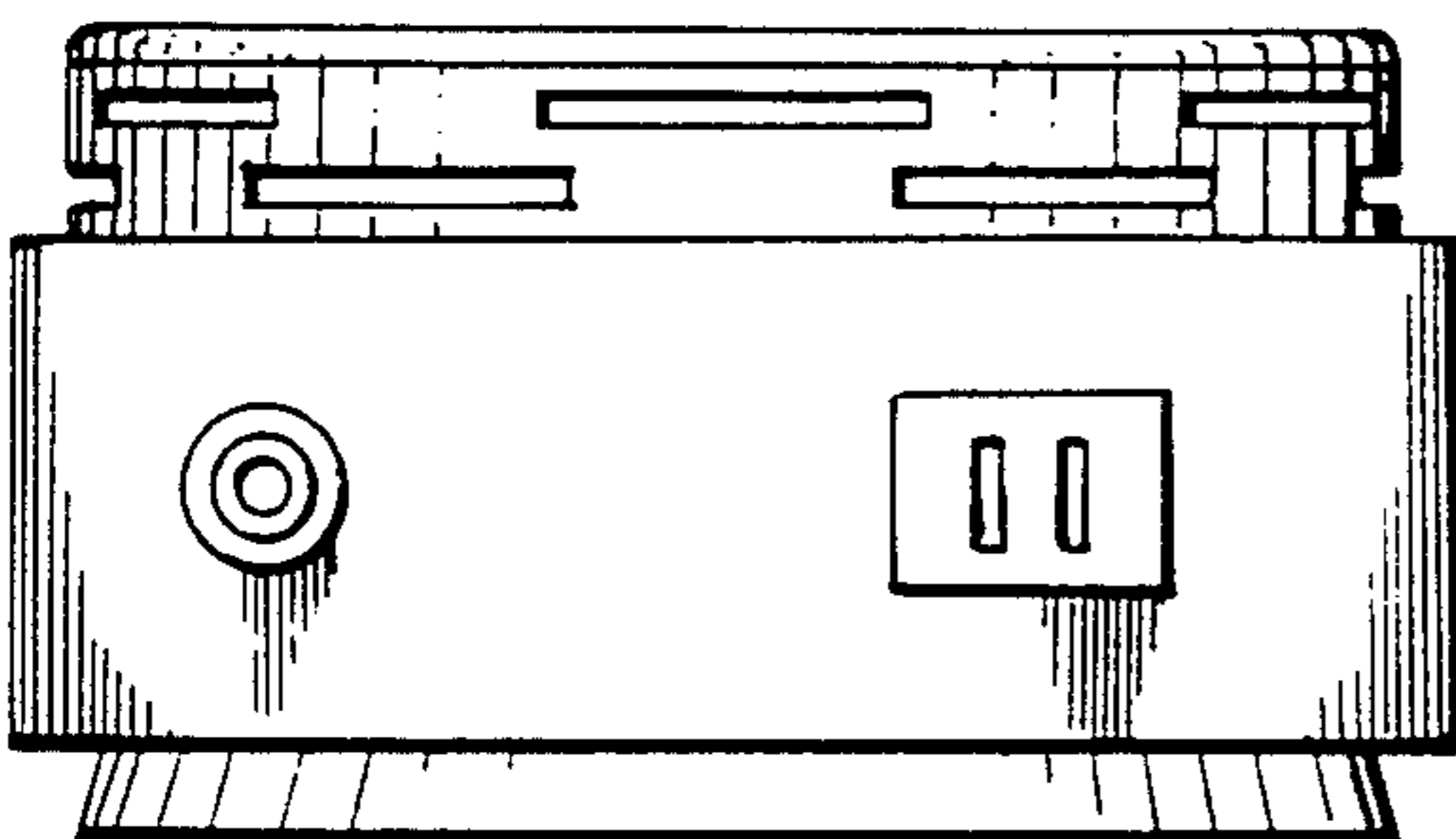


Fig. 7.

