

[54] FRAME

[76] Inventor: John F. Kristofich, 25 Jacob Rd., Washington Township, N.J.

[**] Term: 14 Years

[21] Appl. No.: 448,385

[22] Filed: Dec. 9, 1982

[52] U.S. Cl. D6/311

[58] Field of Search D6/232-246, D6/140; D28/65-72; 40/152, 152.1, 152.2; D11/132, 140; D25/79

[56] References Cited

U.S. PATENT DOCUMENTS

- D. 19,116 5/1889 Lock D11/140
- D. 113,002 1/1939 Justema D25/79

OTHER PUBLICATIONS

The Gift & Art Buyer, 5/51, p. 3, Item #S2067, Vertical or Horizontal Mirror.
Vogue, 4-1-39, p. 12, Frame.

Daniel Lowe & Co. Jewelry Cat., 1912, Item S5299, Oval Frame.

Primary Examiner—Charles A. Rademaker

[57] CLAIM

The ornamental design for frame, substantially as shown and described.

DESCRIPTION

FIG. 1 is a front elevational view of a frame showing my new design;
 FIG. 2 is a bottom plan view thereof;
 FIG. 3 is a top plan view thereof;
 FIG. 4 is a left side elevational view thereof;
 FIG. 5 is a right side elevational view thereof;
 FIG. 6 is a rear elevational view thereof;
 FIG. 7 is a front elevational view of a modified form of the design shown in FIGS. 1 through 6;
 FIG. 8 is a bottom plan view thereof;
 FIG. 9 is a top plan view thereof;
 FIG. 10 is a left side elevational view thereof;
 FIG. 11 is a right side elevational view thereof; and,
 FIG. 12 is a rear elevational view thereof.

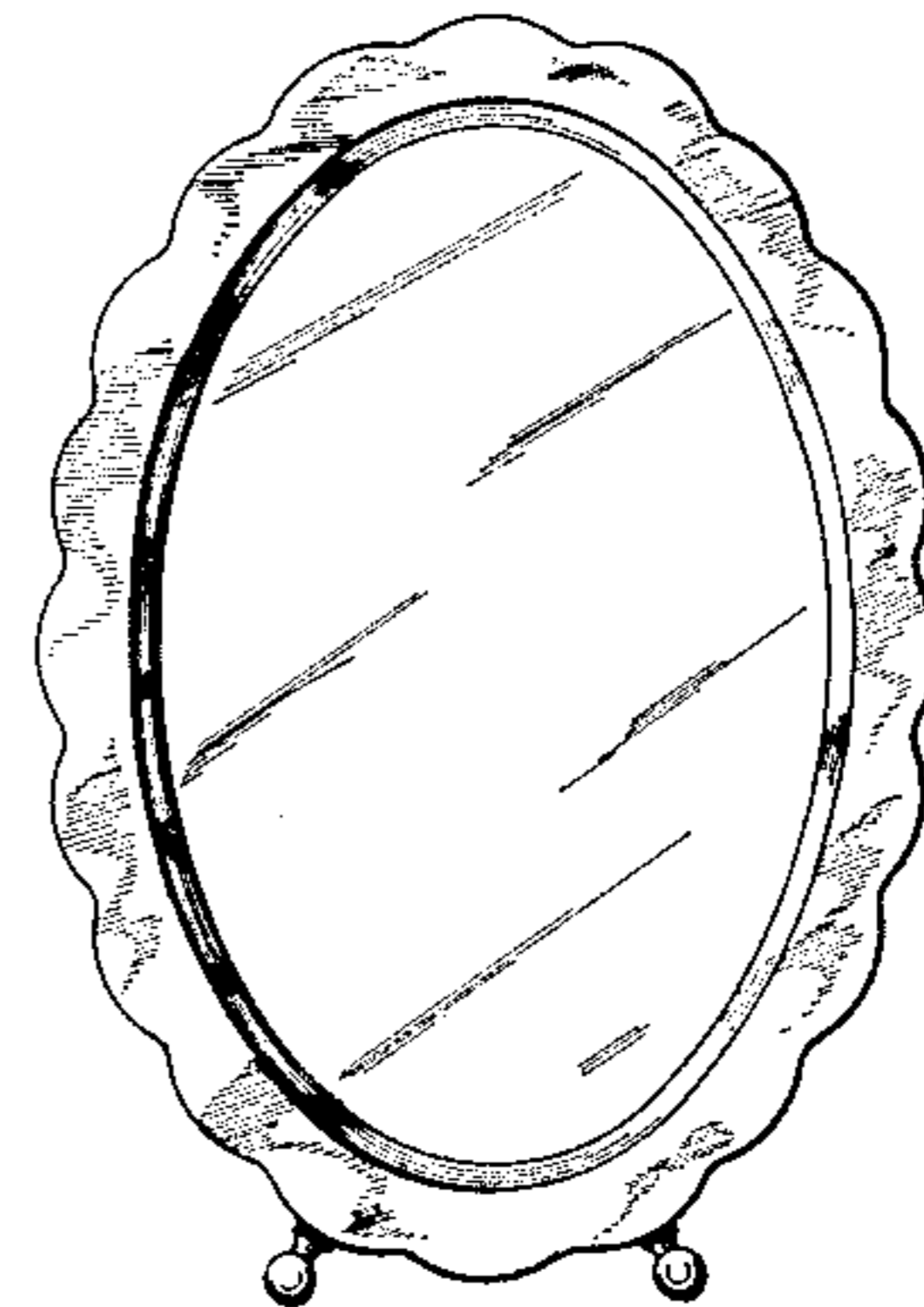
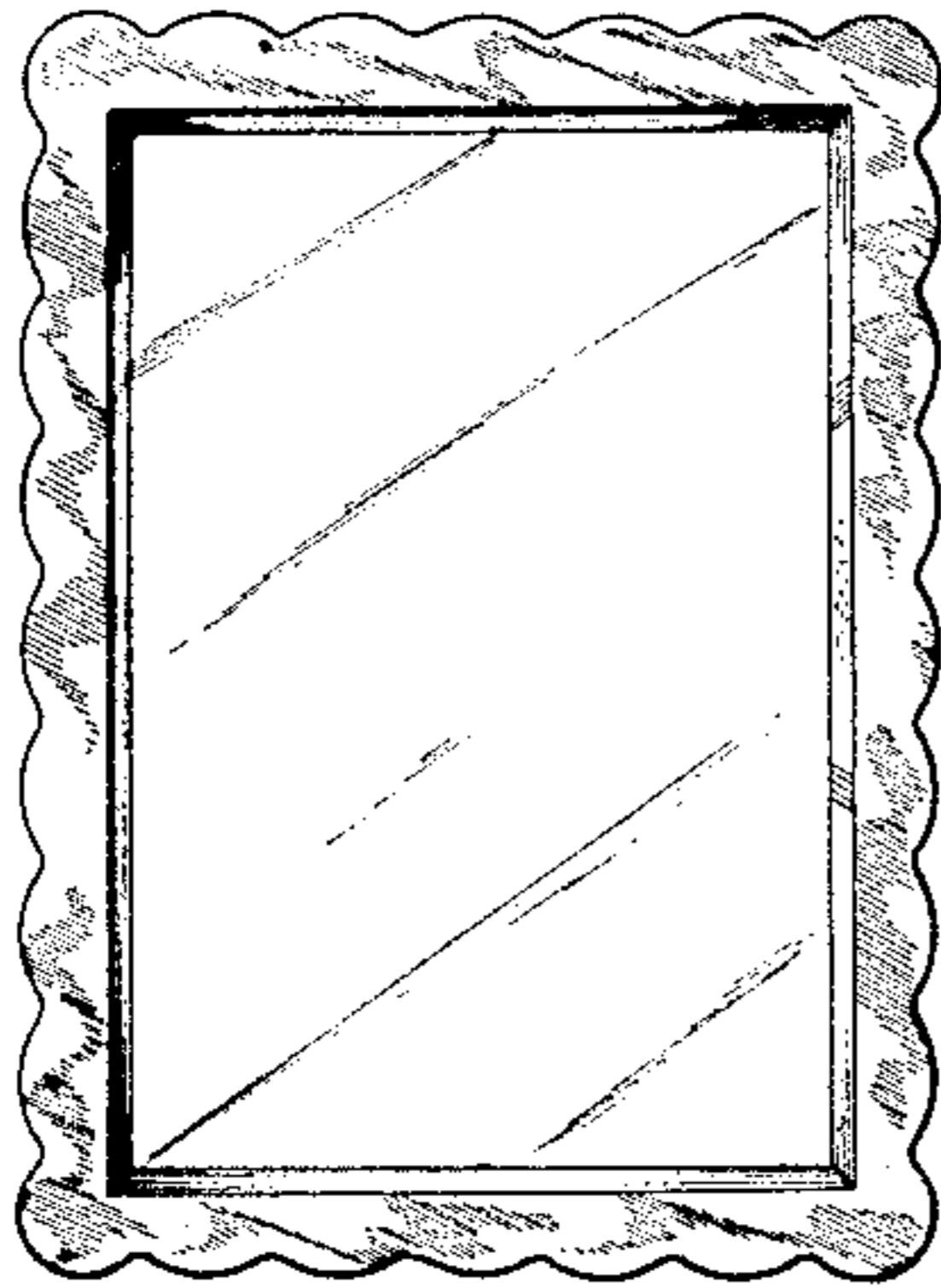


FIG. 3



FIG. 4



FIG. 1

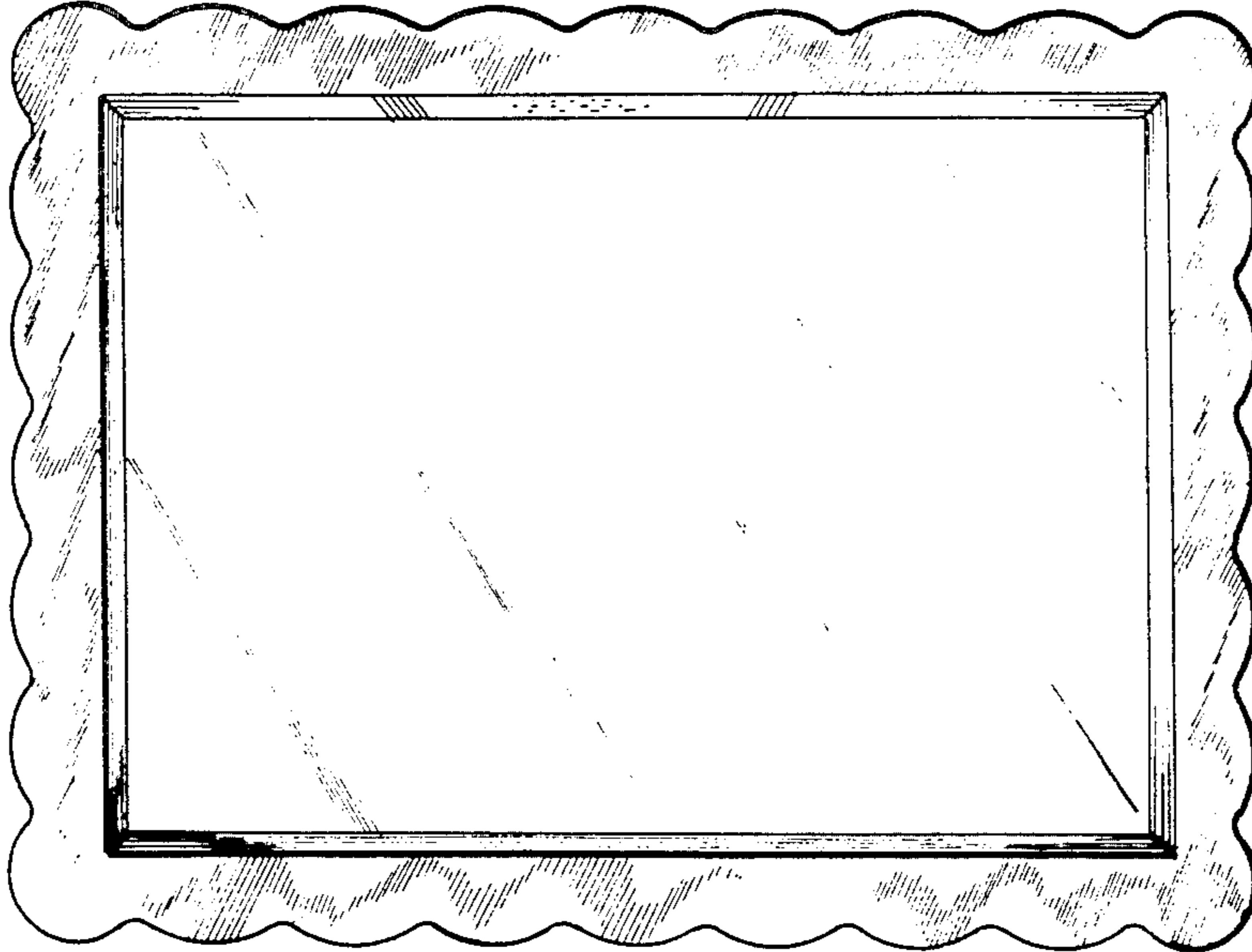


FIG. 2



FIG. 6

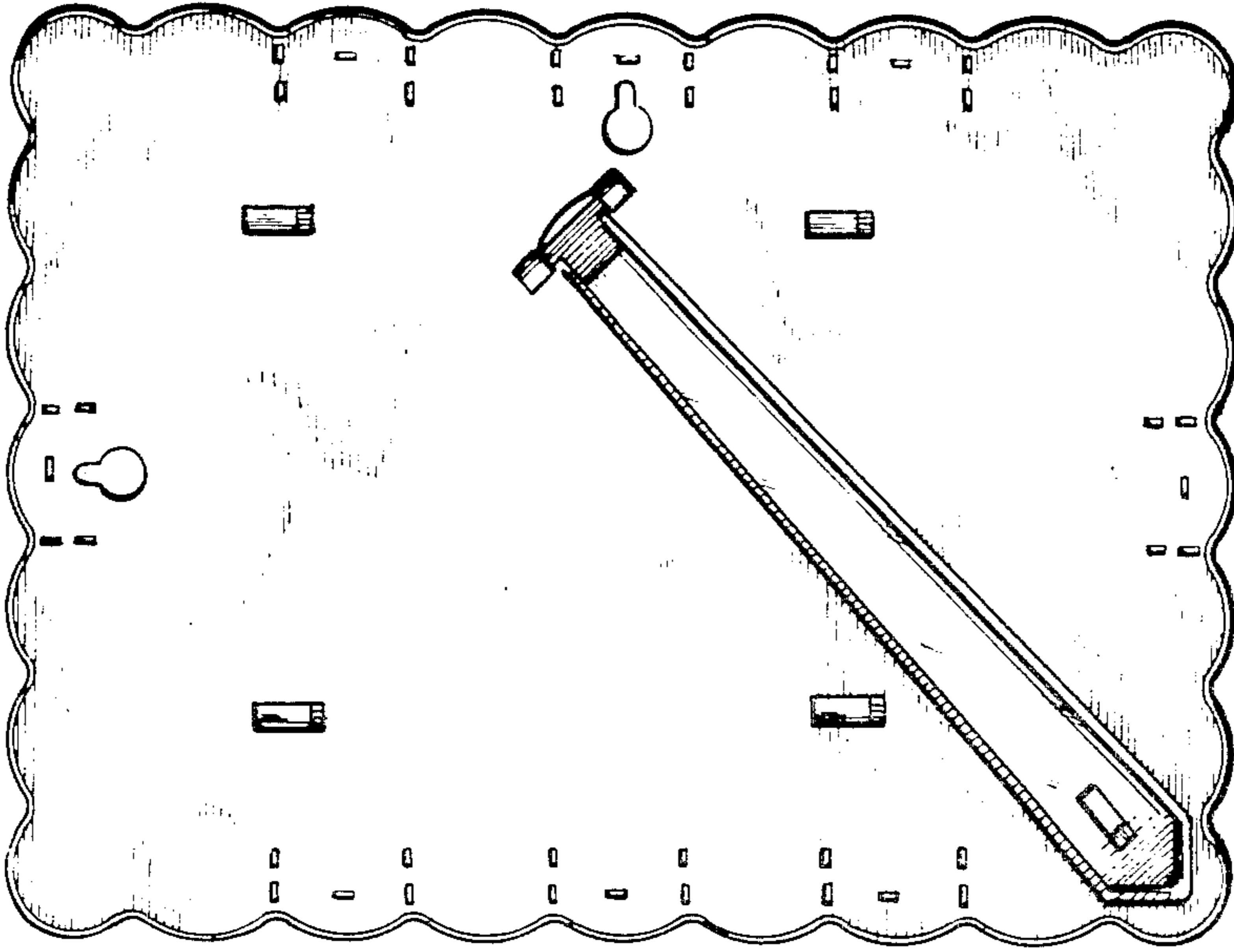


FIG. 5

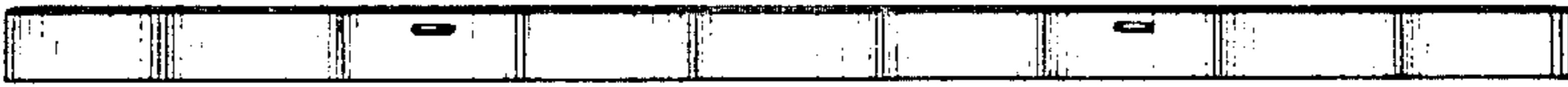


FIG. 9



FIG. 10



FIG. 7

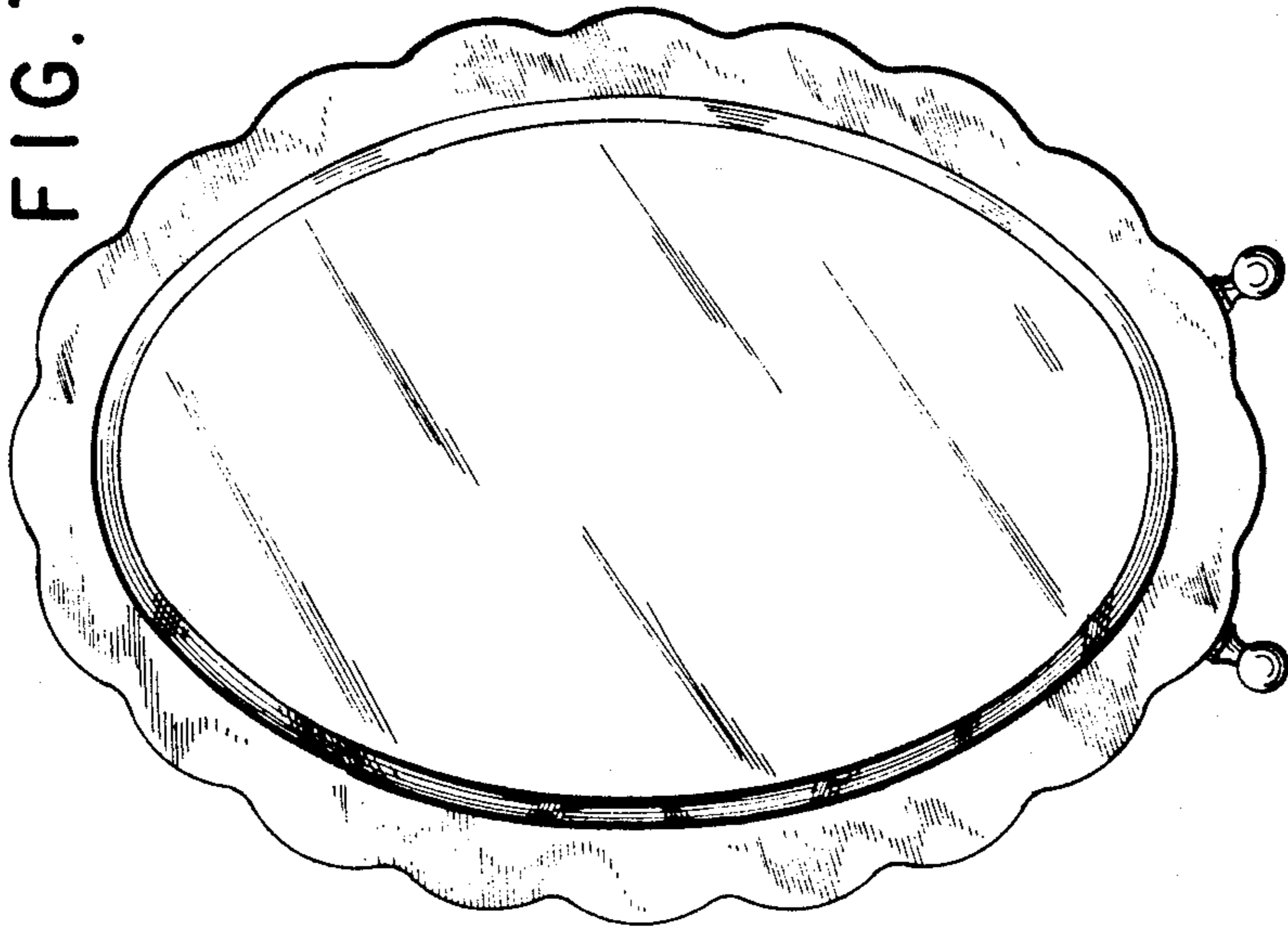


FIG. 11

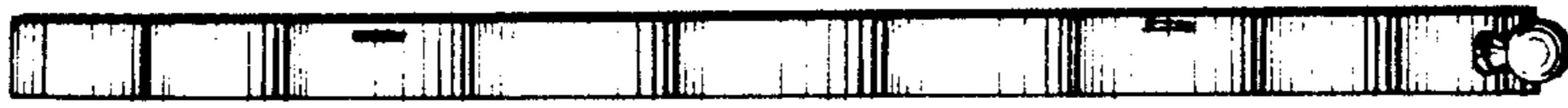


FIG. 12

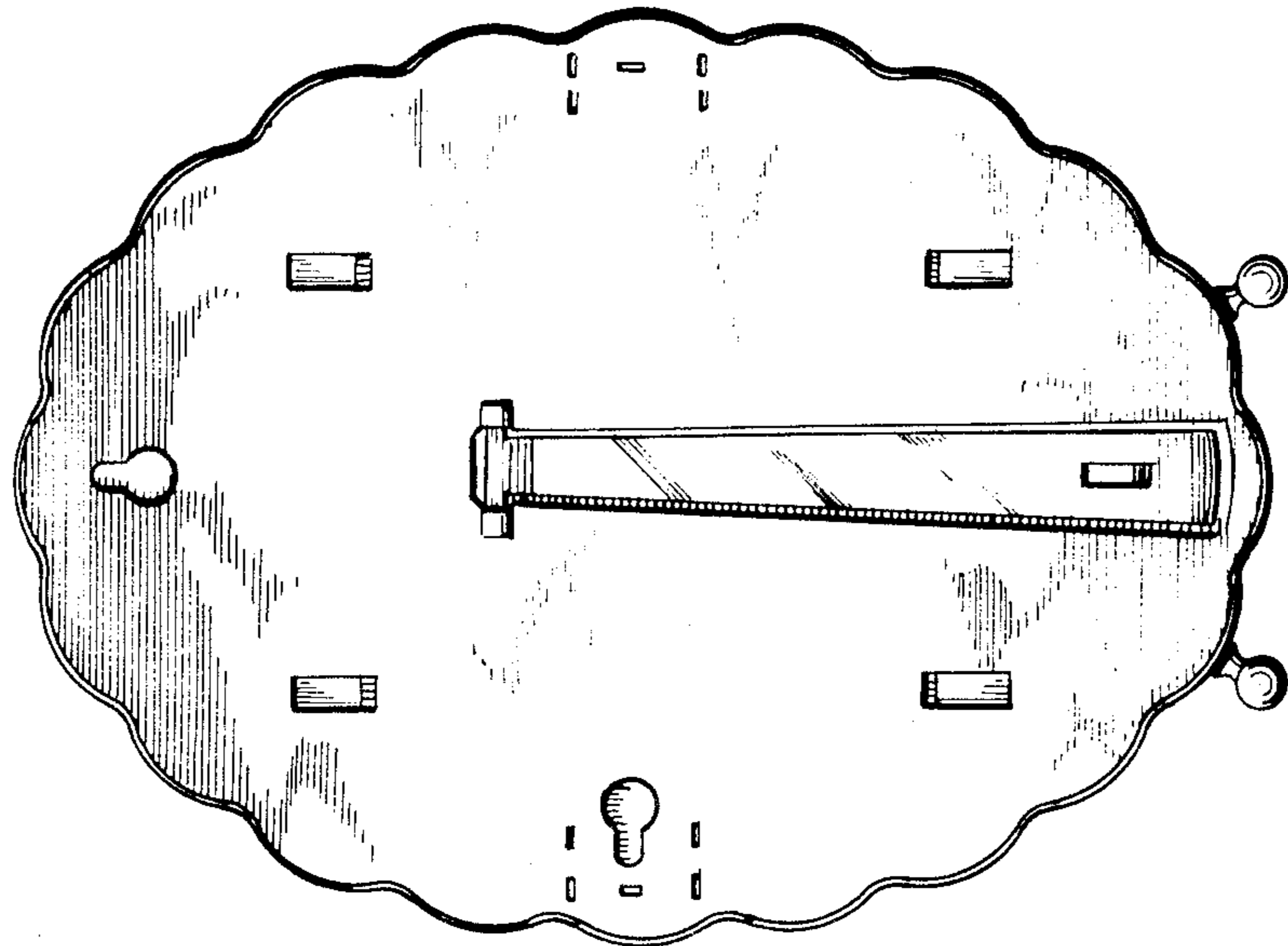


FIG. 8

