

[54] MUSIC STAND ACCESSORY TRAY

[76] Inventor: Harold M. Gomez, 7 Beachview Crescent, Toronto, Ontario, Canada, M4E 2L4

[**] Term: 14 Years

[21] Appl. No.: 394,240

[22] Filed: Jul. 1, 1982

[52] U.S. Cl. D6/418; D6/419; D6/574

[58] Field of Search D6/85, 181, 191, 192, D6/199; D7/37, 38; D17/199; 248/441.1, 443, 460

[56] References Cited

U.S. PATENT DOCUMENTS

D. 177,324	4/1956	Hartman	D6/199
D. 187,237	2/1960	Kindelberger	D7/38 X
3,934,806	1/1976	Rady	248/441.1
3,972,133	8/1976	Parshall	248/441.1 X
4,165,451	8/1979	Einstein	248/441.1 X
4,300,743	11/1981	Morris	248/441.1

OTHER PUBLICATIONS

Targ & Dinner—Musical Merchandise Cat. 1970, p. 221; conductors' stand with tray #KB300A-DP, bottom right of page.

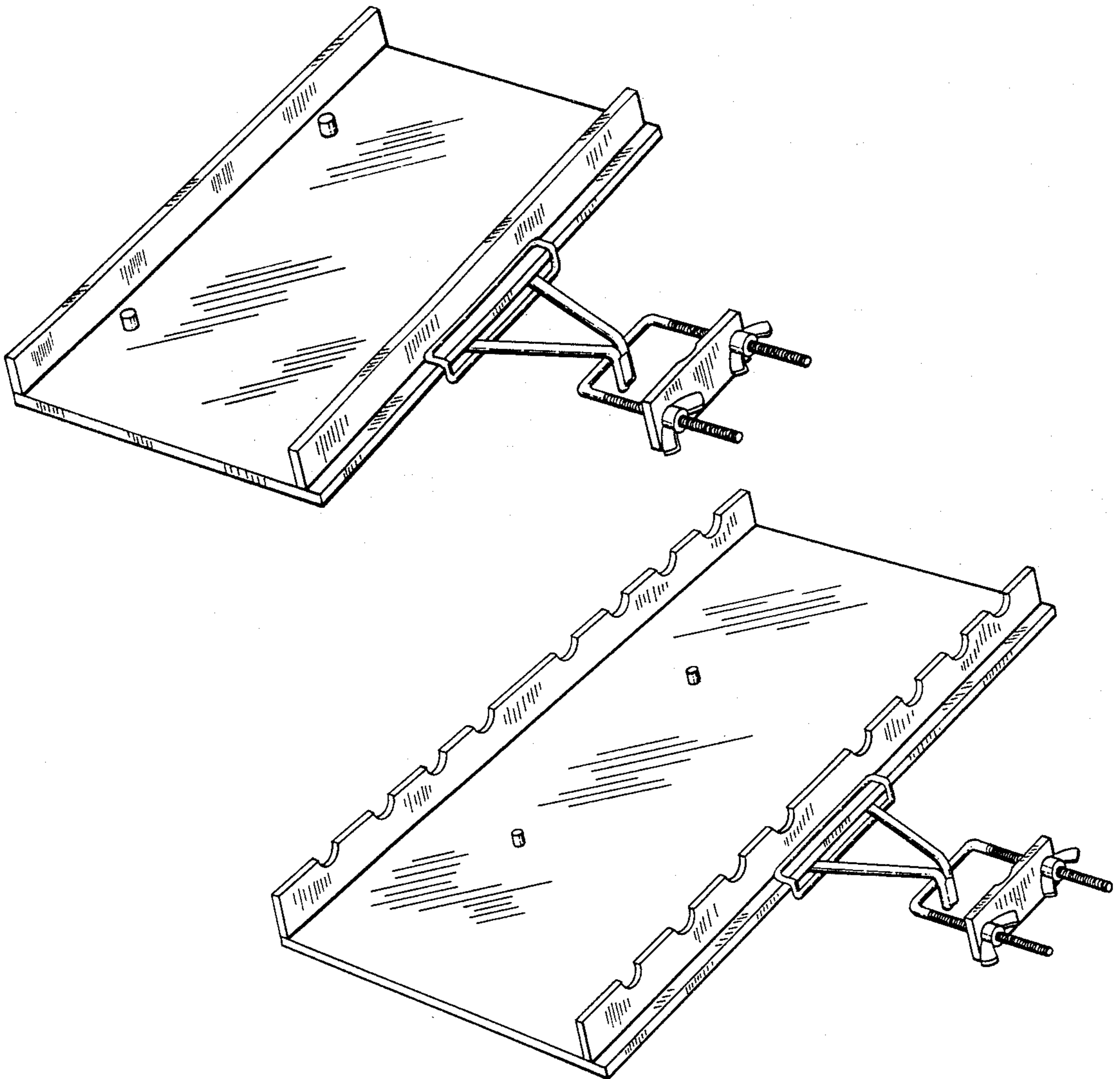
Primary Examiner—Bernard Ansher
Assistant Examiner—Carmen H. Vales
Attorney, Agent, or Firm—Robert F. Delbridge; Arne I. Fors

[57] CLAIM

The ornamental design for a music stand accessory tray, as shown and described.

DESCRIPTION

FIG. 1 is a perspective view of a music stand accessory tray showing my new design; the music stand shown in broken lines for illustrative purposes only; FIG. 2 is a rear perspective view thereof; FIG. 3 is a bottom plan view thereof; FIG. 4 is a rear elevational view thereof; FIG. 5 is a right side elevational view thereof; and FIG. 6 is a perspective view of a modified embodiment of the music stand accessory tray shown in FIG. 1.



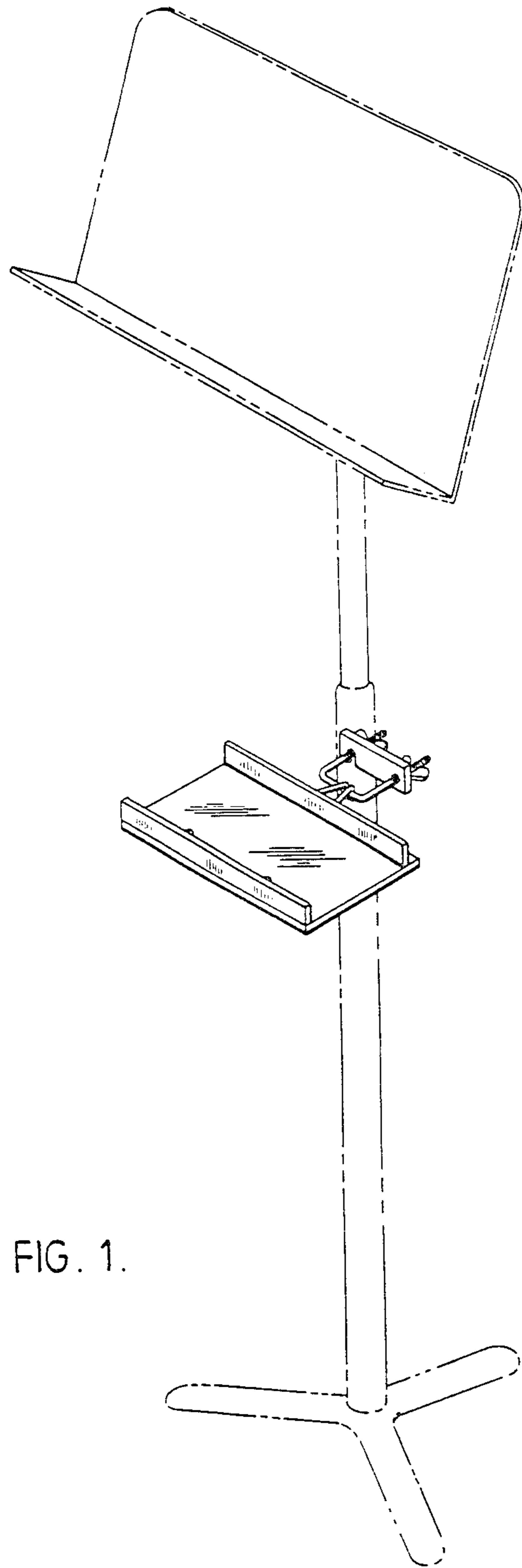


FIG. 1.

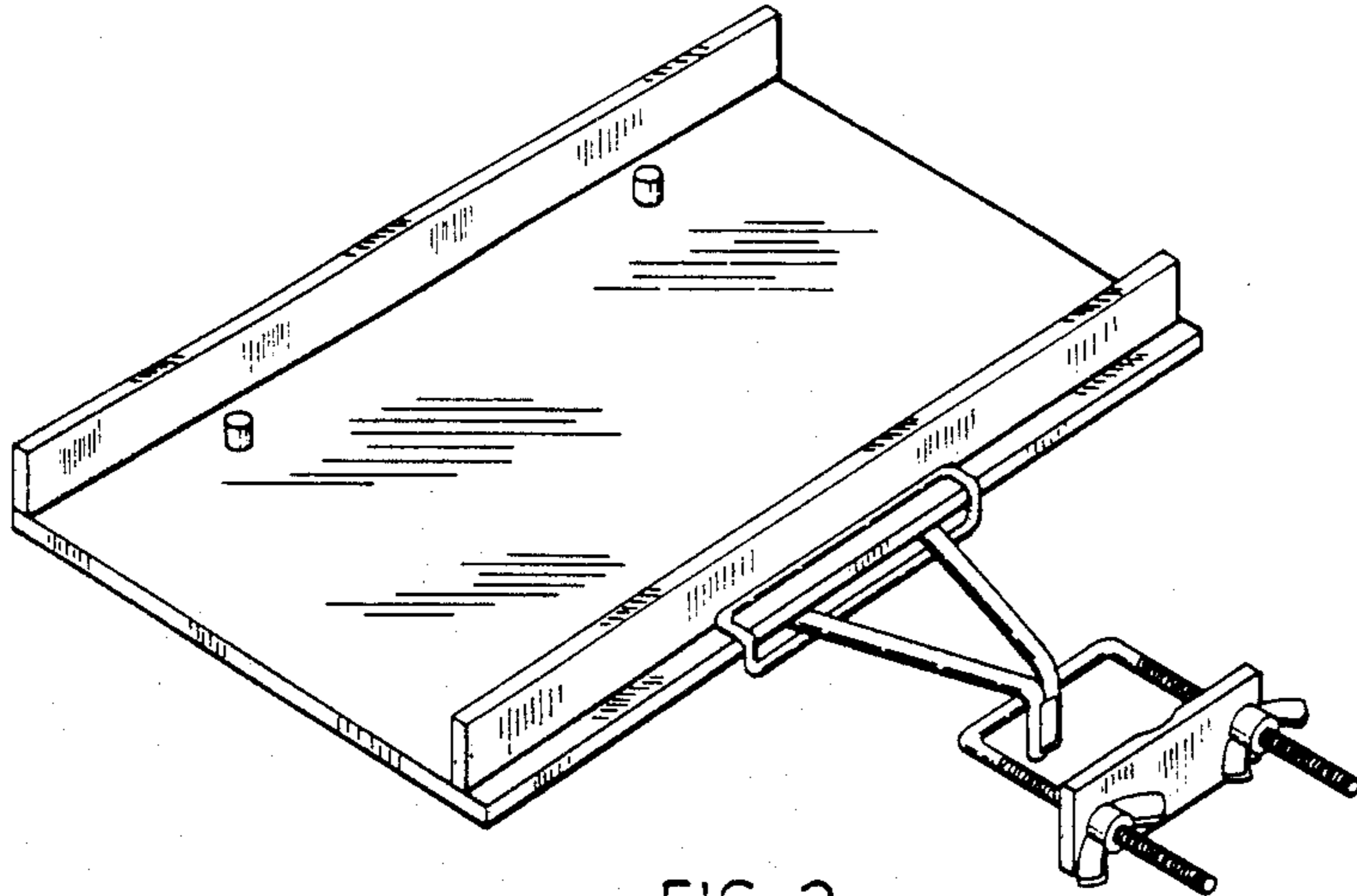


FIG. 2.

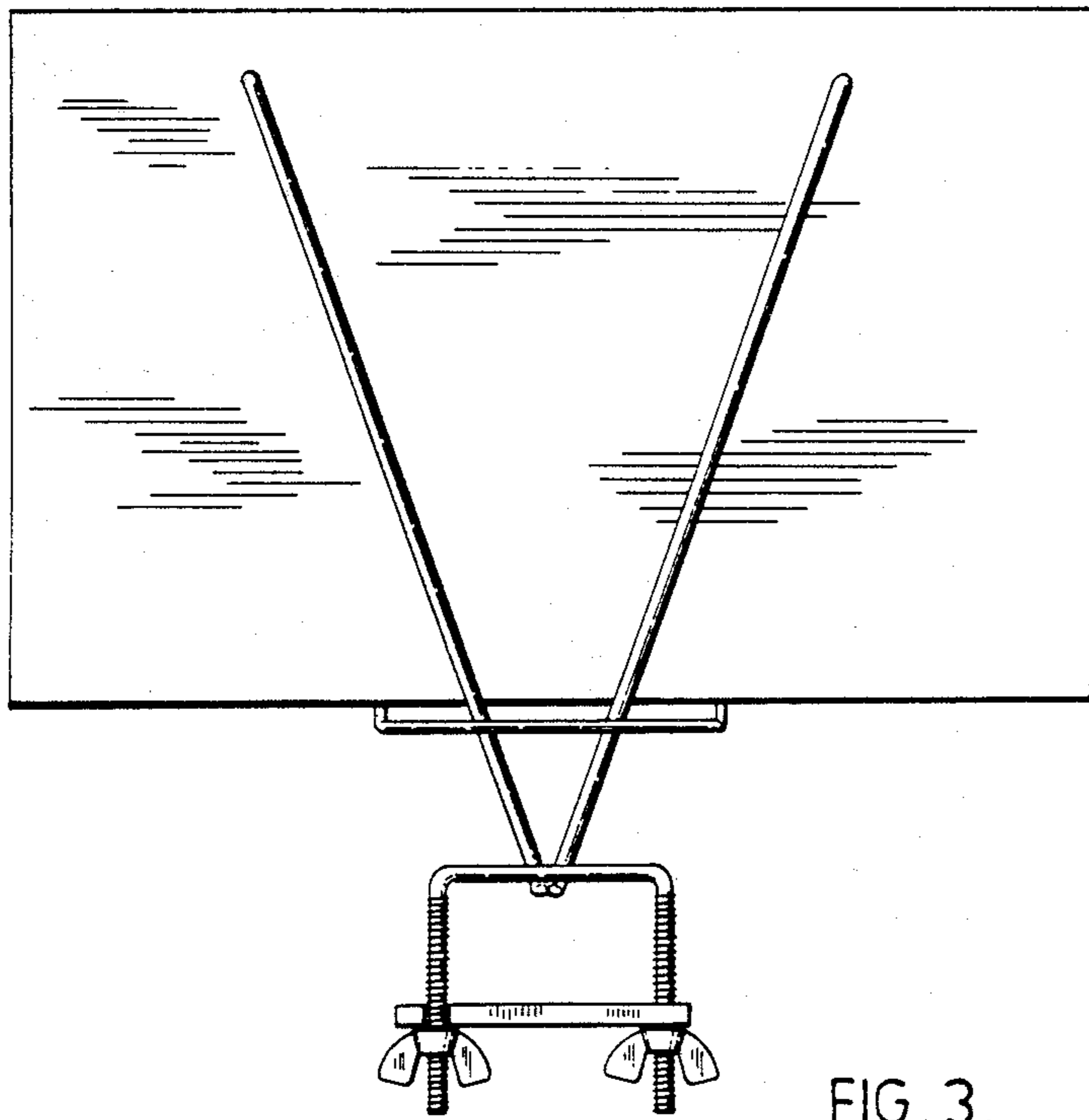


FIG. 3.

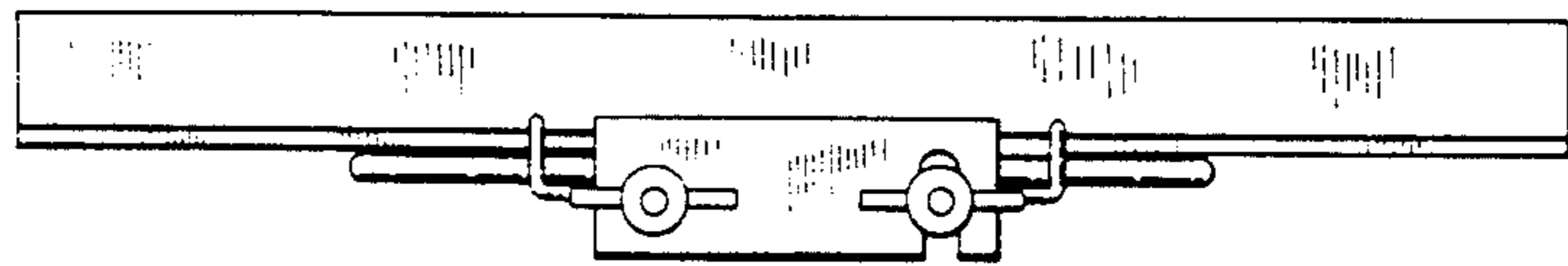


FIG. 4.

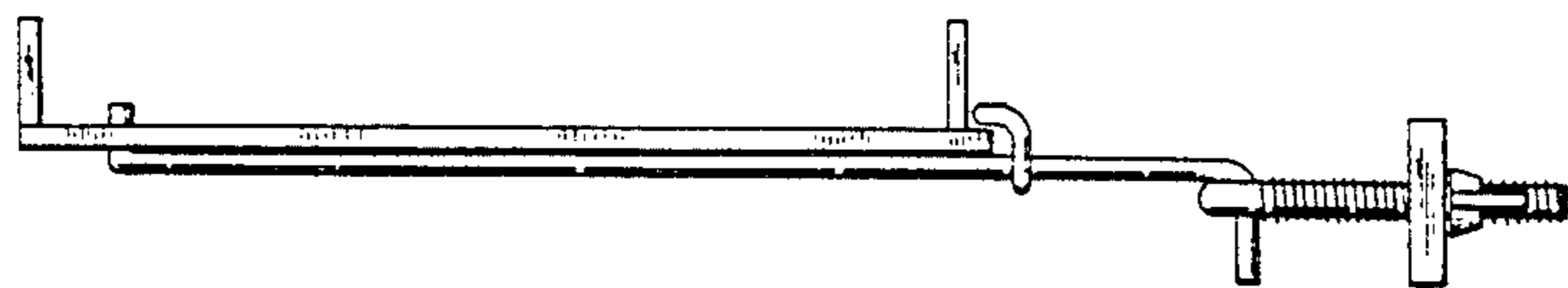


FIG. 5.

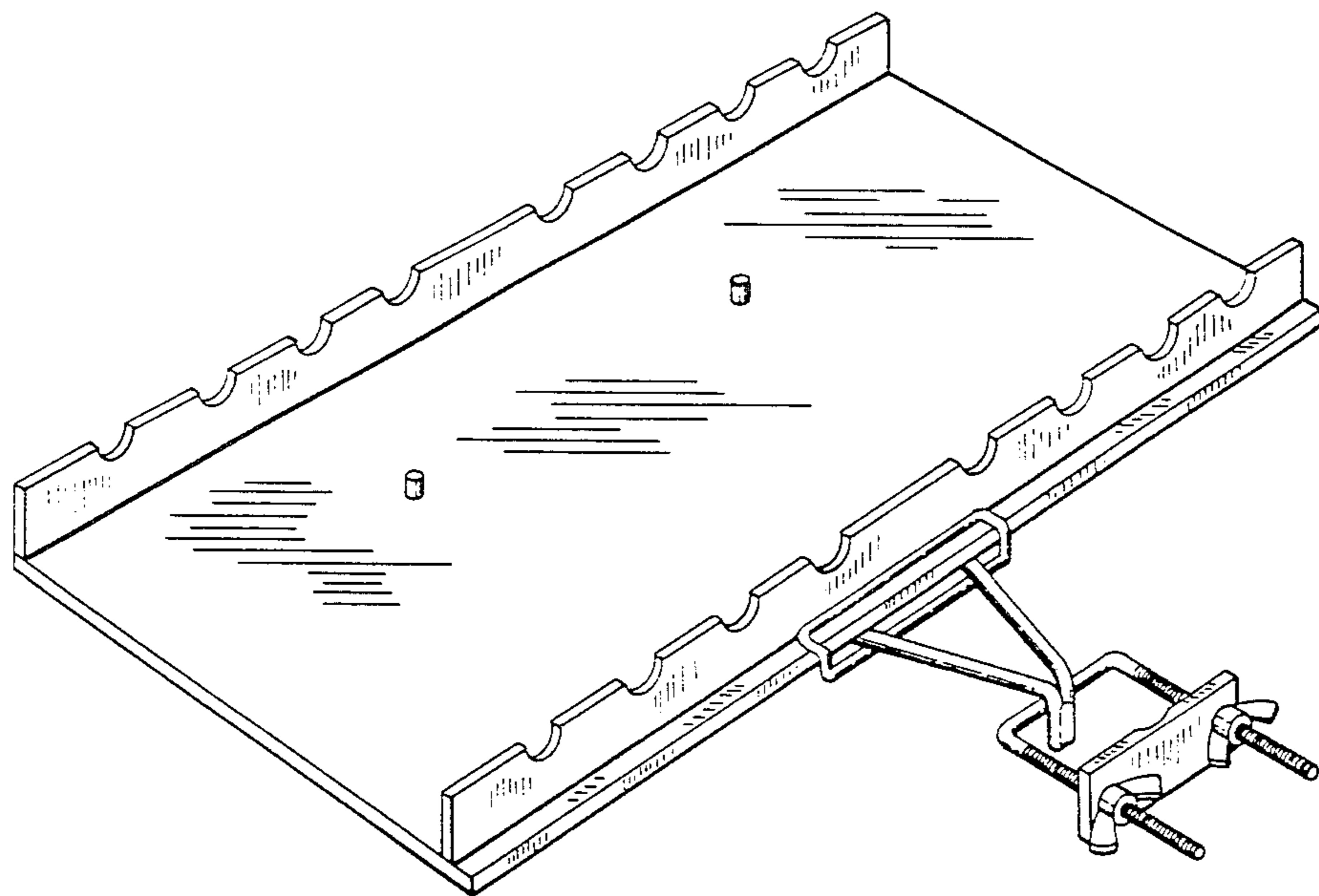


FIG. 6.