

[54] DISPLAY STAND

[75] Inventor: Robert A. Butkus, Oakland, Calif.

[73] Assignee: Container Corporation of America, Chicago, Ill.

[**] Term: 14 Years

[21] Appl. No.: 340,455

[22] Filed: Jan. 18, 1982

[52] U.S. Cl. D6/473; D6/474; D6/476; D6/490

[58] Field of Search D6/85, 158, 167, 168, D6/169, 170, 174, 181, 186

[56] References Cited

U.S. PATENT DOCUMENTS

- D. 171,033 12/1953 Gordon D6/186
- D. 219,186 11/1970 Leath D6/186
- 4,151,803 5/1979 Ferrera et al. D6/186 X

OTHER PUBLICATIONS

Packaging Parade, May 1948, p. 85, Display Stand No. 3 at left center.

Primary Examiner—Bruce W. Dunkins
Attorney, Agent, or Firm—Richard W. Carpenter

[57] CLAIM

The ornamental design for a suspension shelf display stand, as shown and described.

DESCRIPTION

FIG. 1 is a front elevational view of a suspension shelf display stand showing my new design;
 FIG. 2 is a side elevational view thereof taken from the right side of FIG. 1;
 FIG. 3 is a top plan view of the suspension shelf display stand shown in FIG. 1;
 FIG. 4 is a rear elevational view thereof;
 FIG. 5 is a bottom view thereof; and
 FIG. 6 is a perspective view thereof.
 The side of the display stand not shown is a mirror image of the side shown in FIG. 2.

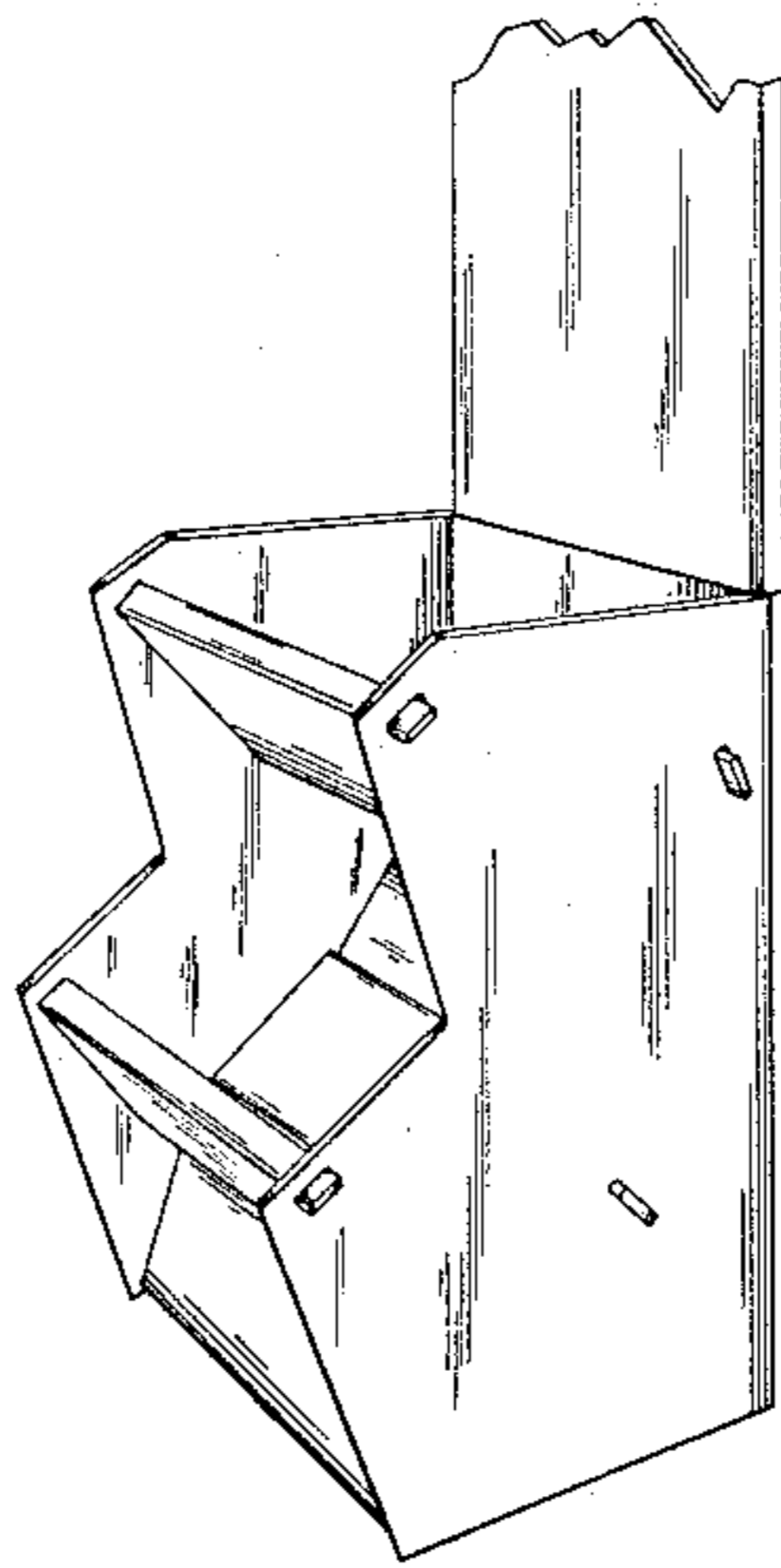


FIG.3

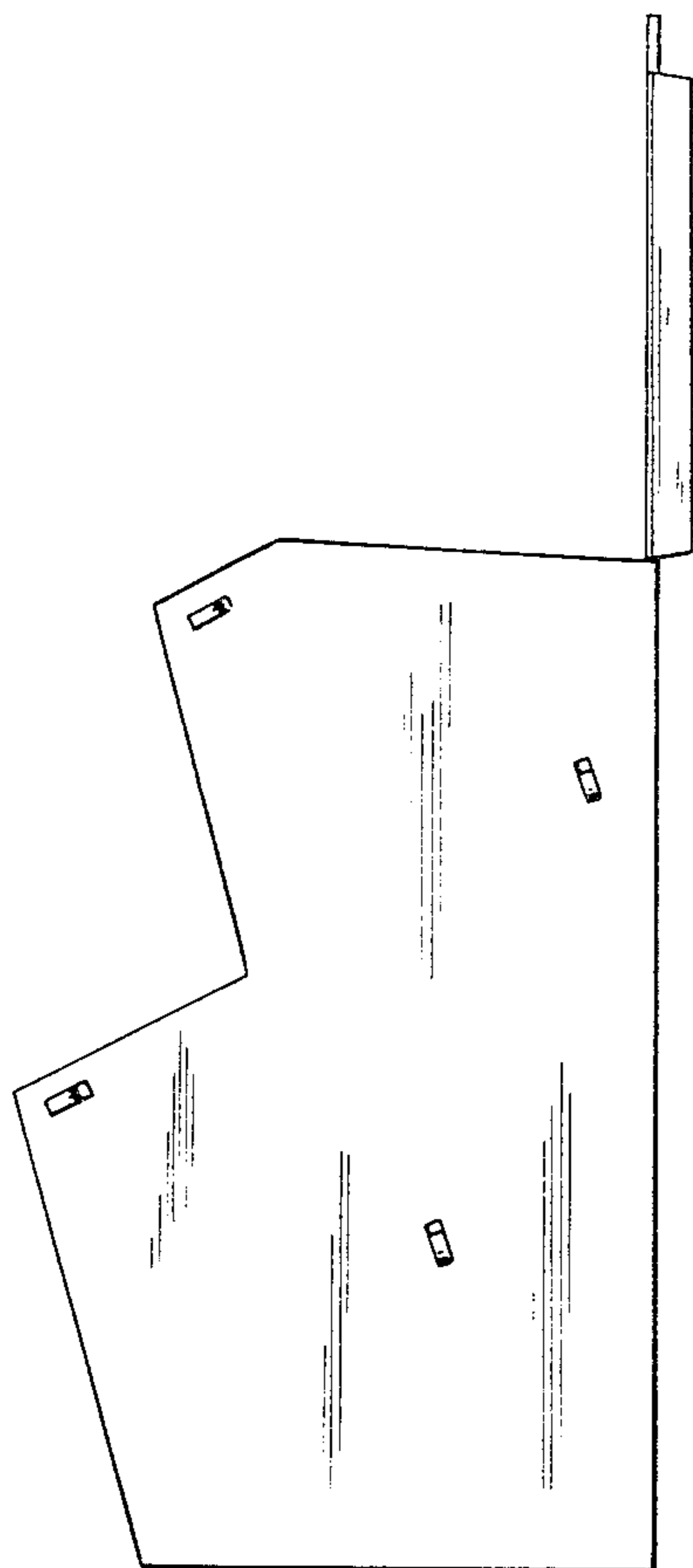
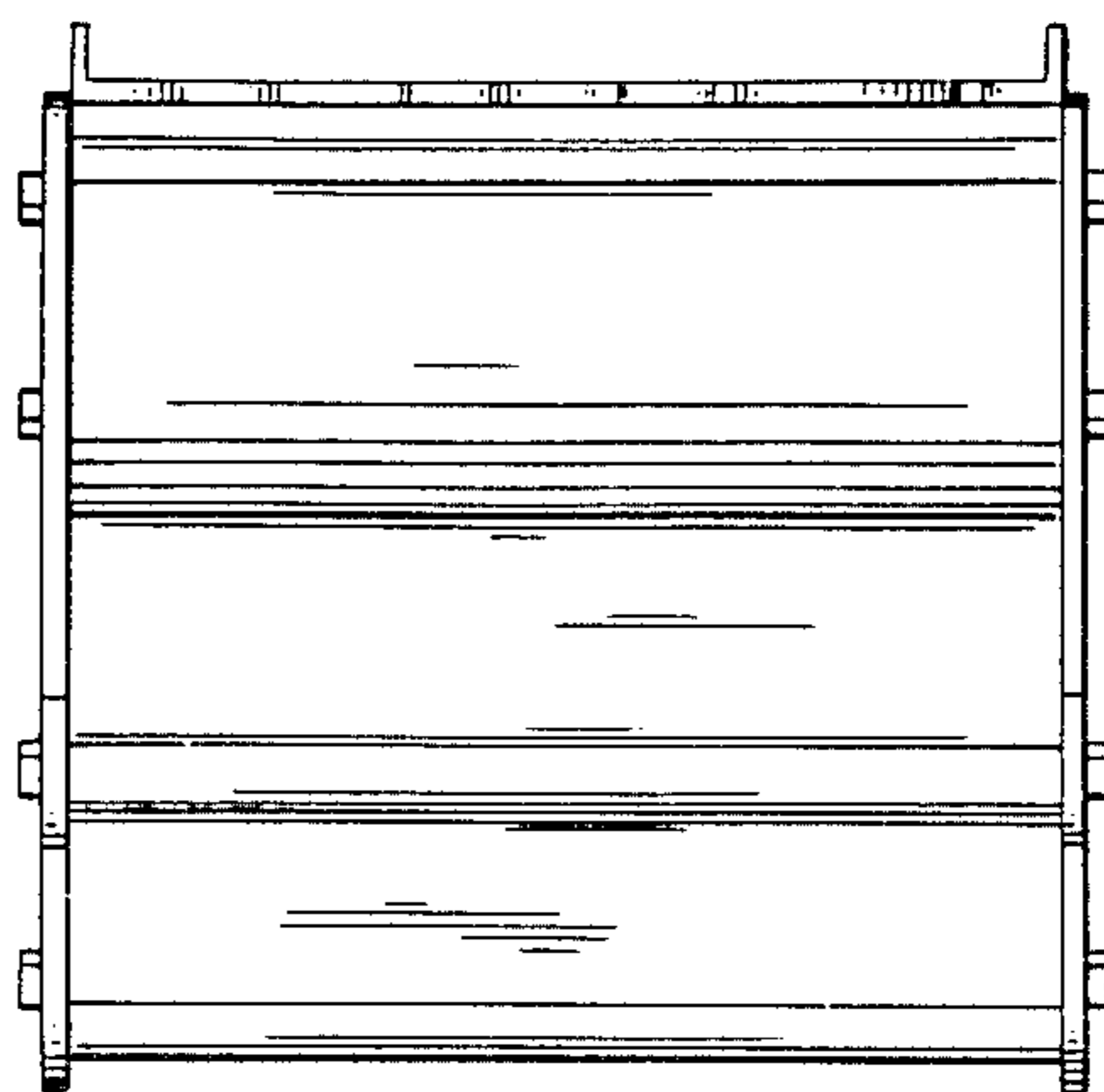


FIG.2

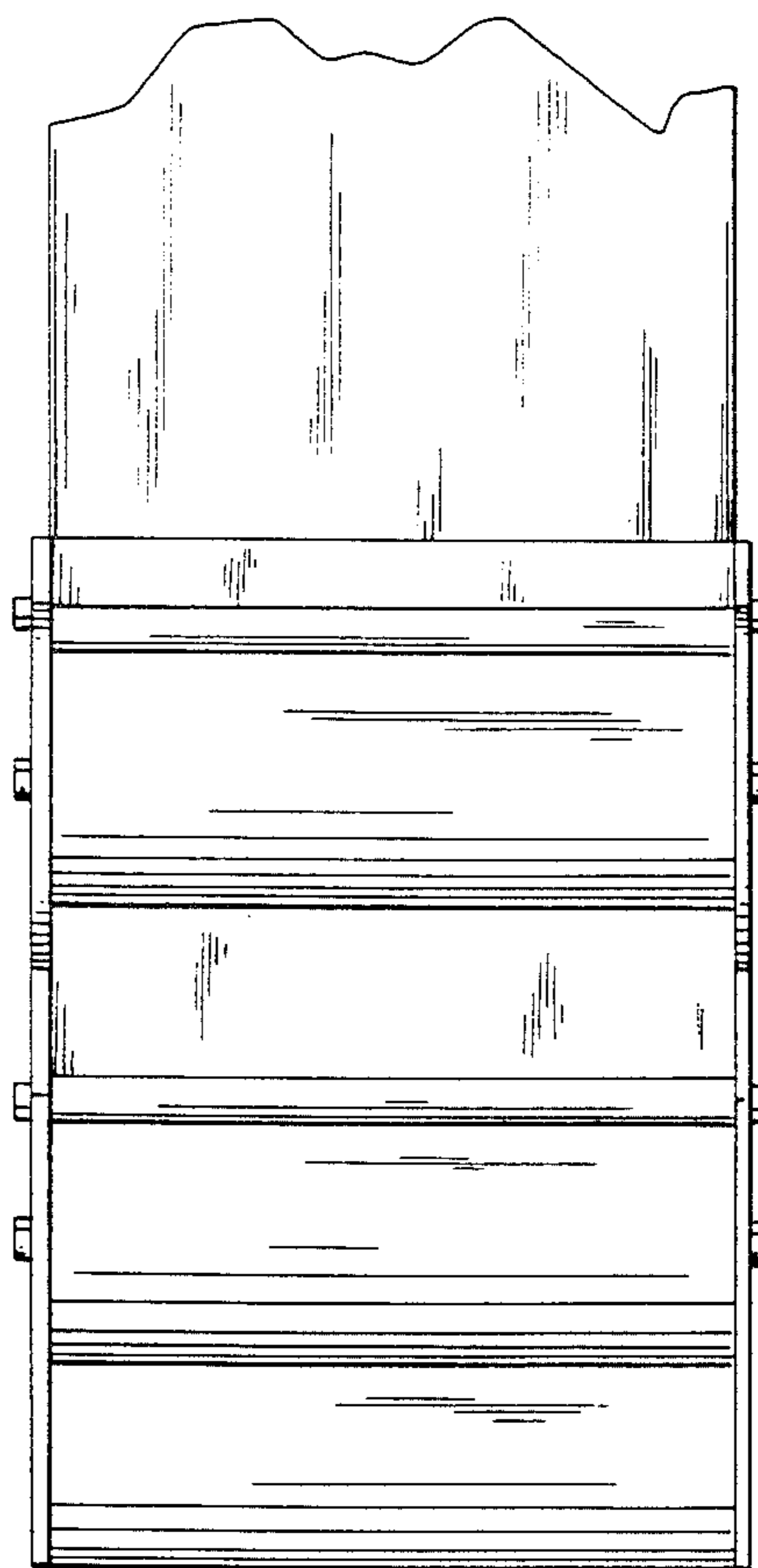


FIG.1

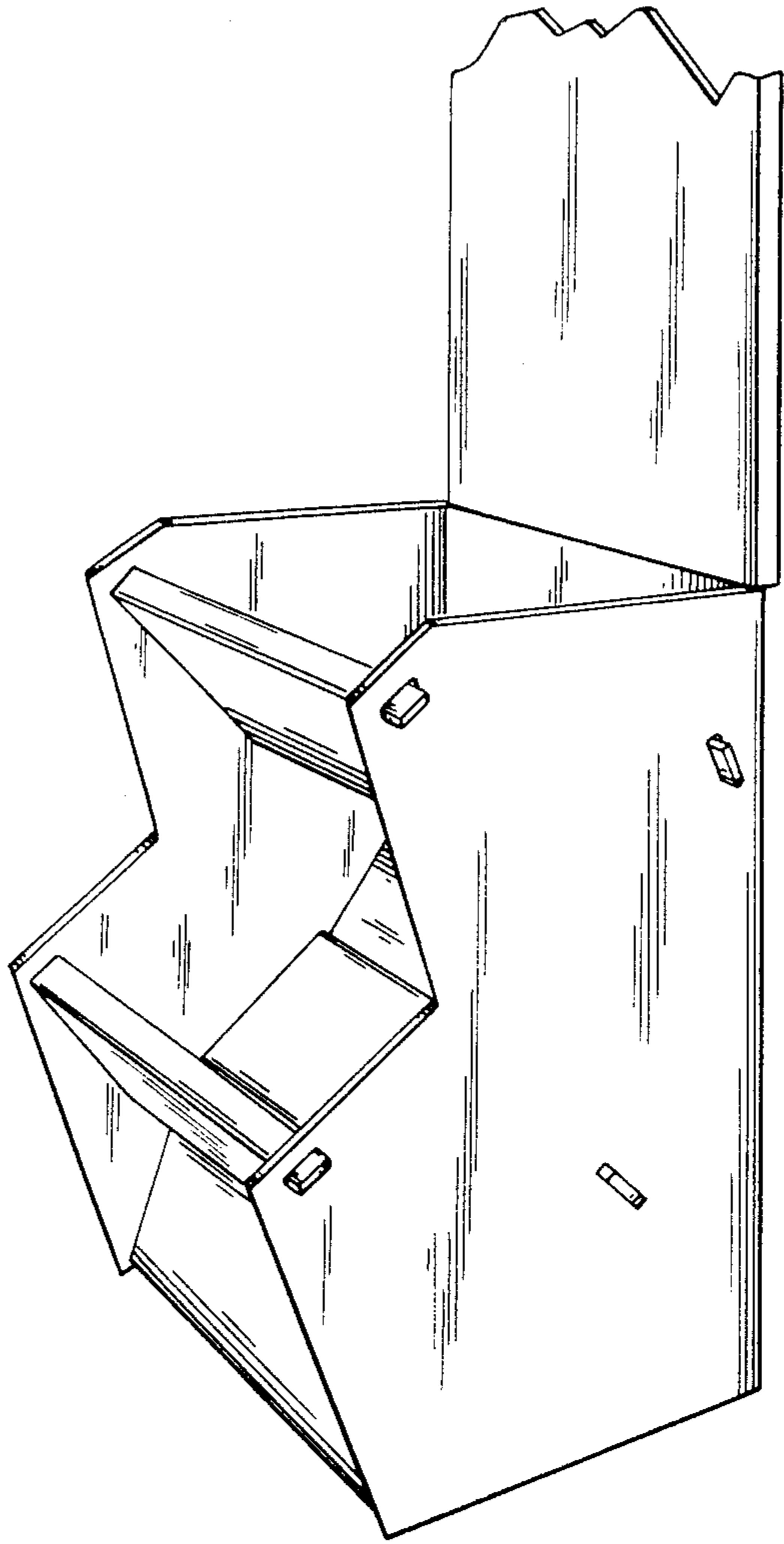


FIG. 6

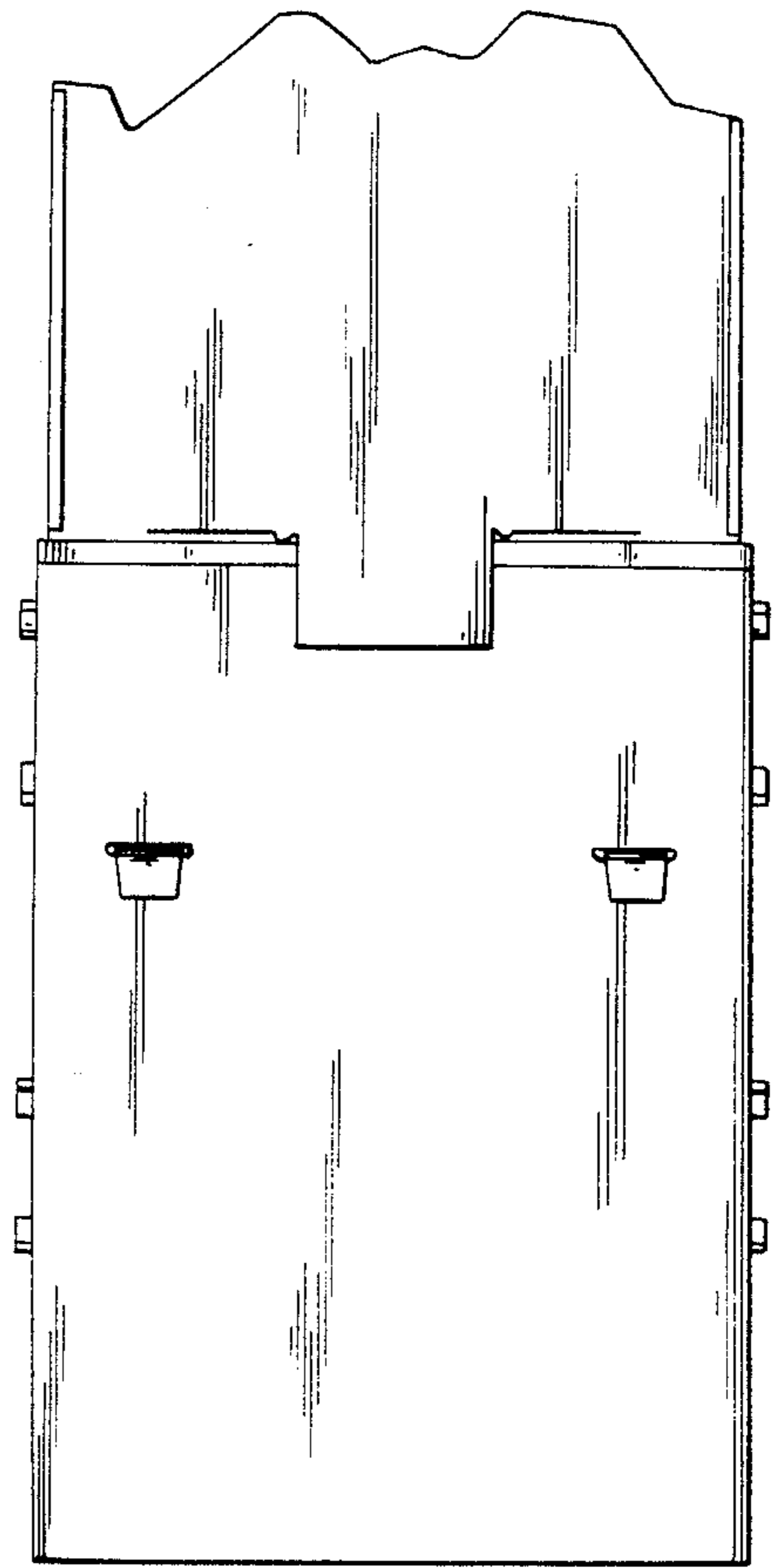


FIG. 4

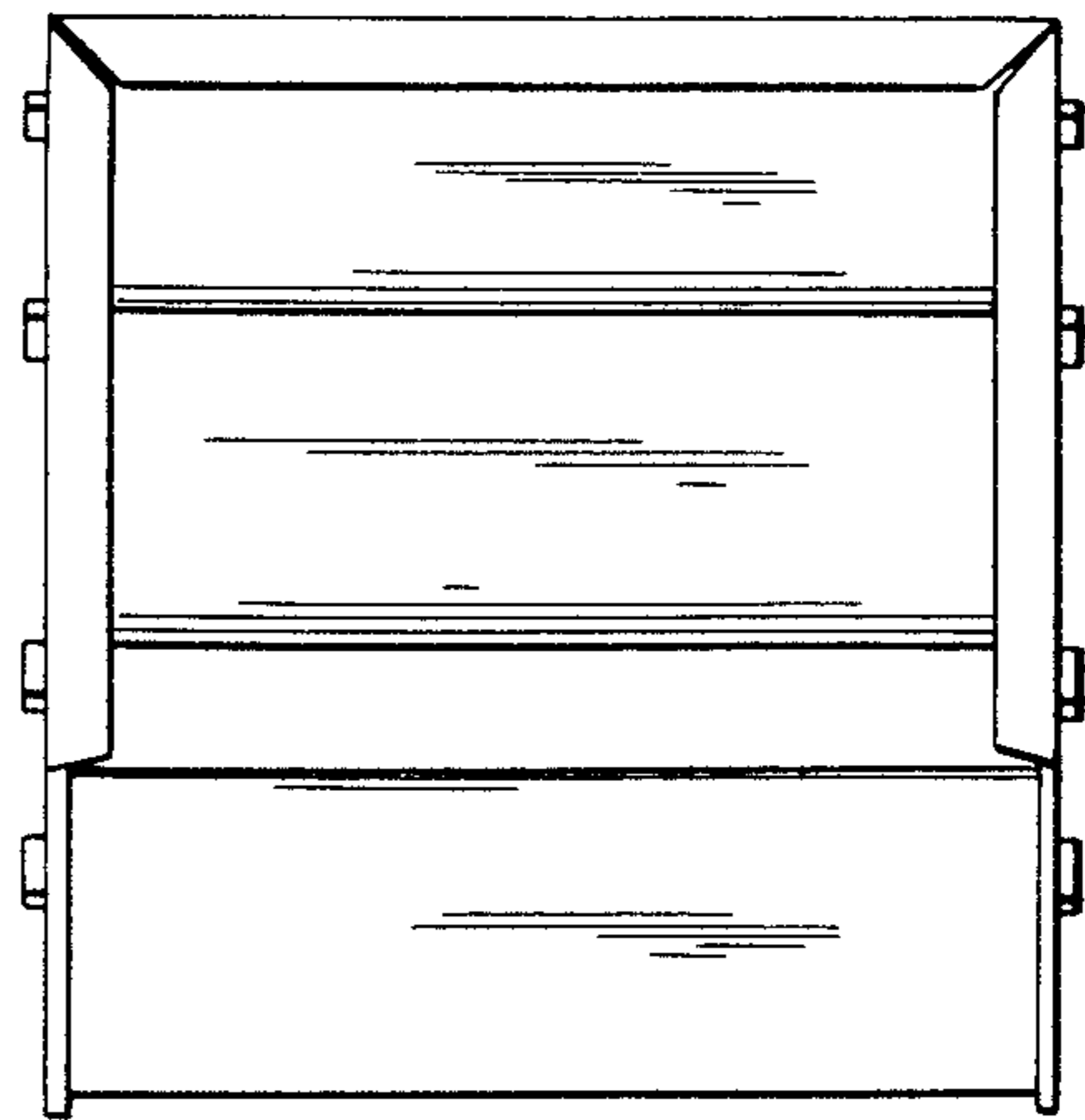


FIG. 5