

United States Patent [19]

Snediker

[11] Patent Number: **Des. 276,772**

[45] Date of Patent: **** Dec. 18, 1984**

[54] **ROLL-TOP CABINET**

[75] Inventor: **Robert R. Snediker, Winnetka, Ill.**

[73] Assignee: **Chicago Show Printing Company, Morton Grove, Ill.**

[*] Notice: The portion of the term of this patent subsequent to Sep. 18, 1995 has been disclaimed.

[**] Term: **14 Years**

[21] Appl. No.: **876,424**

[22] Filed: **Feb. 9, 1978**

[52] U.S. Cl. **D6/433; D6/424**

[58] Field of Search **D6/150, 159, 172**

[56] **References Cited**

U.S. PATENT DOCUMENTS

D. 156,062 11/1949 Ward D6/150

D. 227,327 6/1973 Tucker et al. D6/150
D. 232,799 9/1974 Knudson D6/150 X
D. 248,567 7/1978 Ward D6/150 X

Primary Examiner—Bruce W. Dunkins
Attorney, Agent, or Firm—McDougall, Hersh & Scott

[57] CLAIM

The ornamental designs for a roll-top cabinet, as shown and described.

DESCRIPTION

FIG. 1 is a perspective view of a roll-top cabinet showing my new design;

FIG. 2 is a front view of FIG. 1;

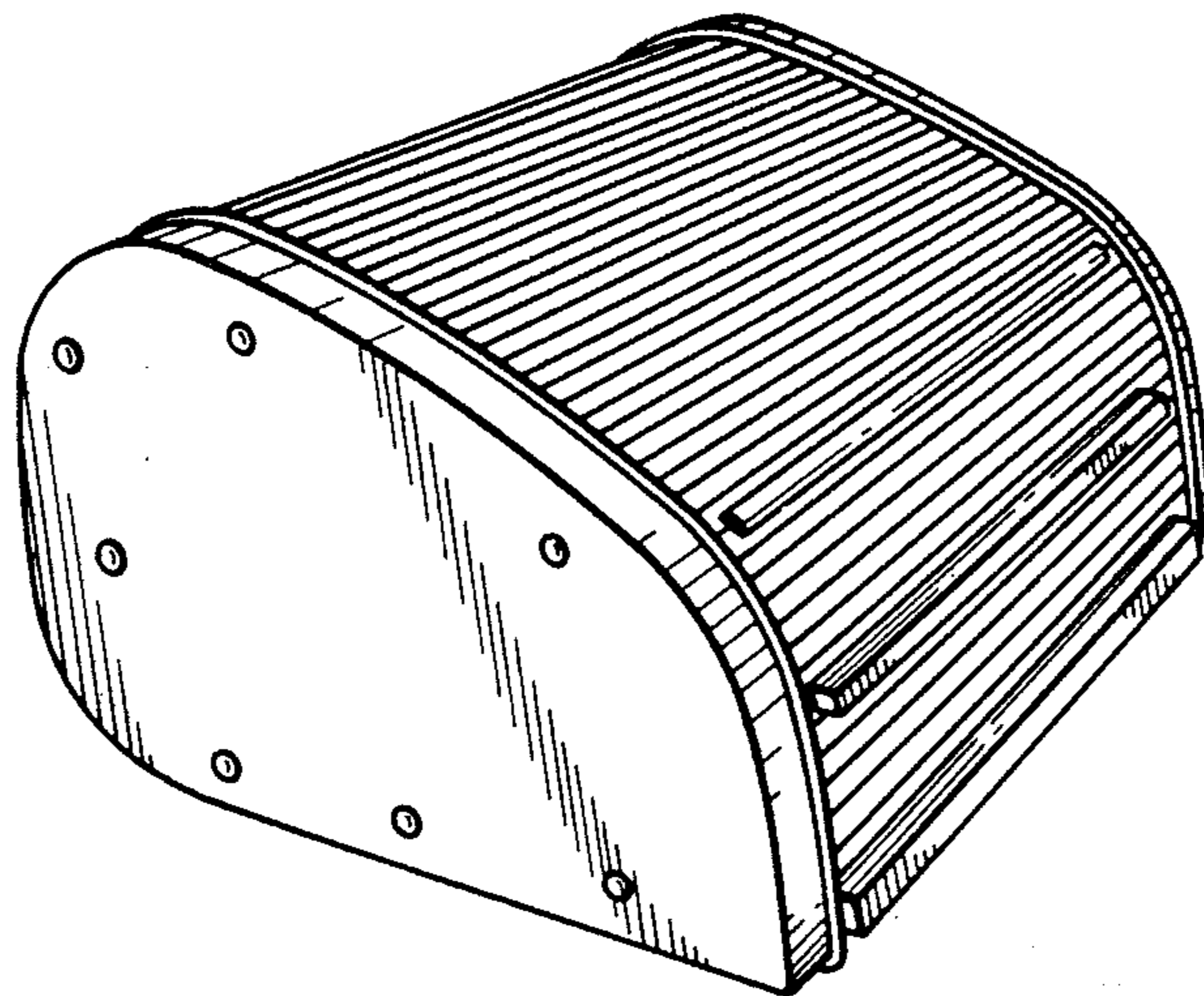
FIG. 3 is a side view of FIG. 1;

FIG. 4 is a rear view of FIG. 1;

FIG. 5 is a bottom view; and,

FIG. 6 is a perspective view of FIG. 1, with the cabinet unit being illustrated in the open position.

The side of the roll-top cabinet not shown is a mirror image of the side shown in FIG. 3.



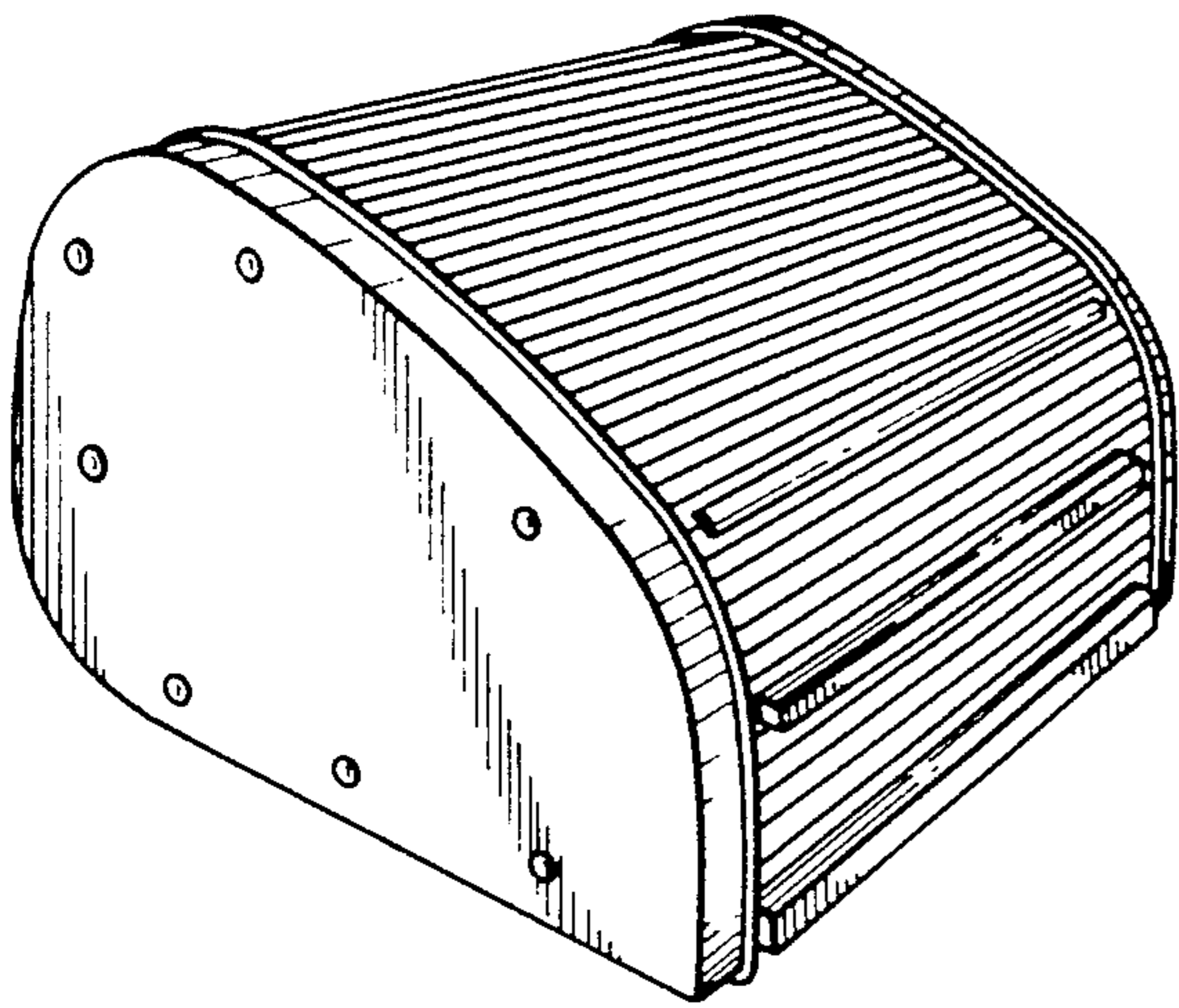


FIG. 1

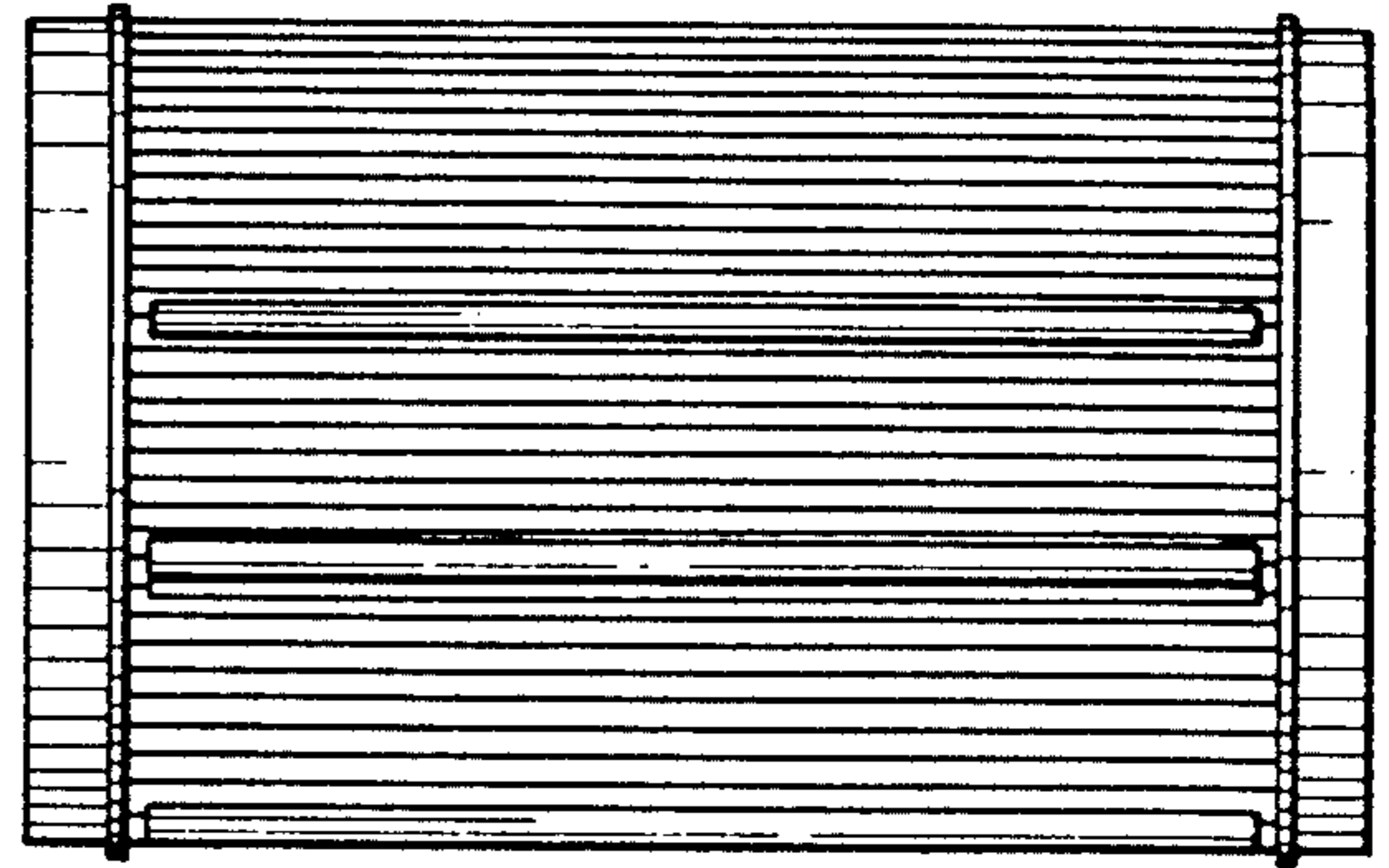


FIG. 2

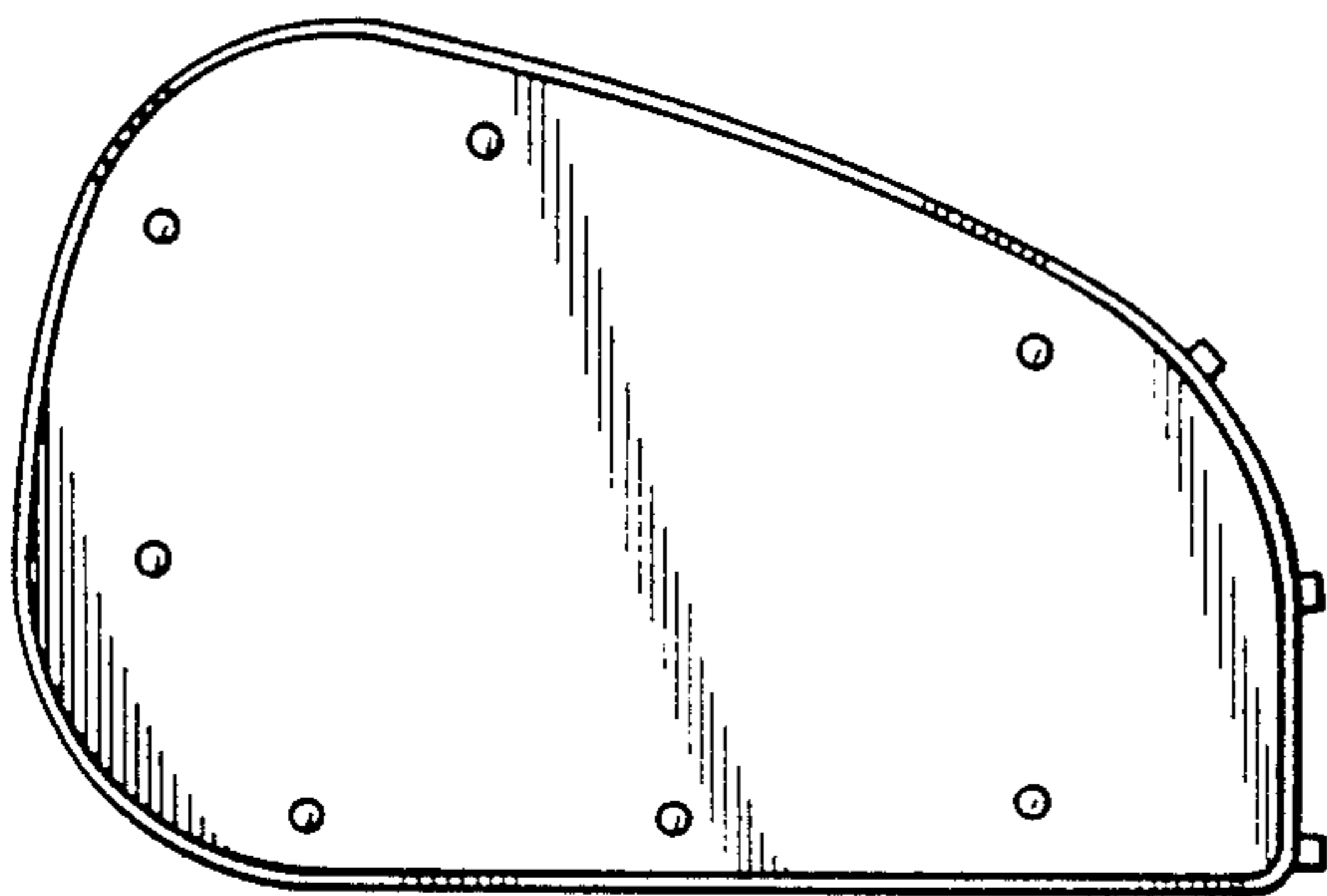


FIG. 3

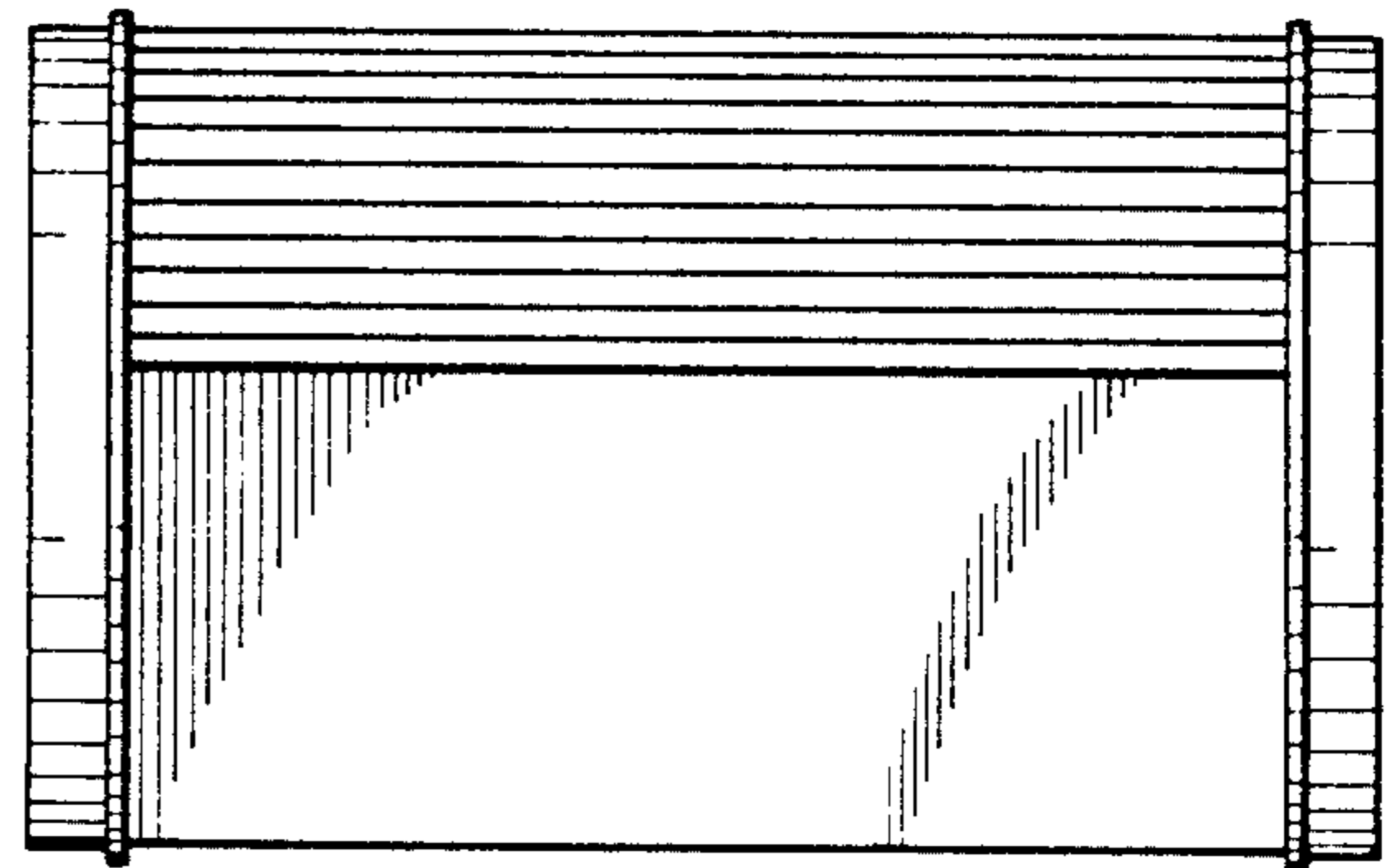


FIG. 4

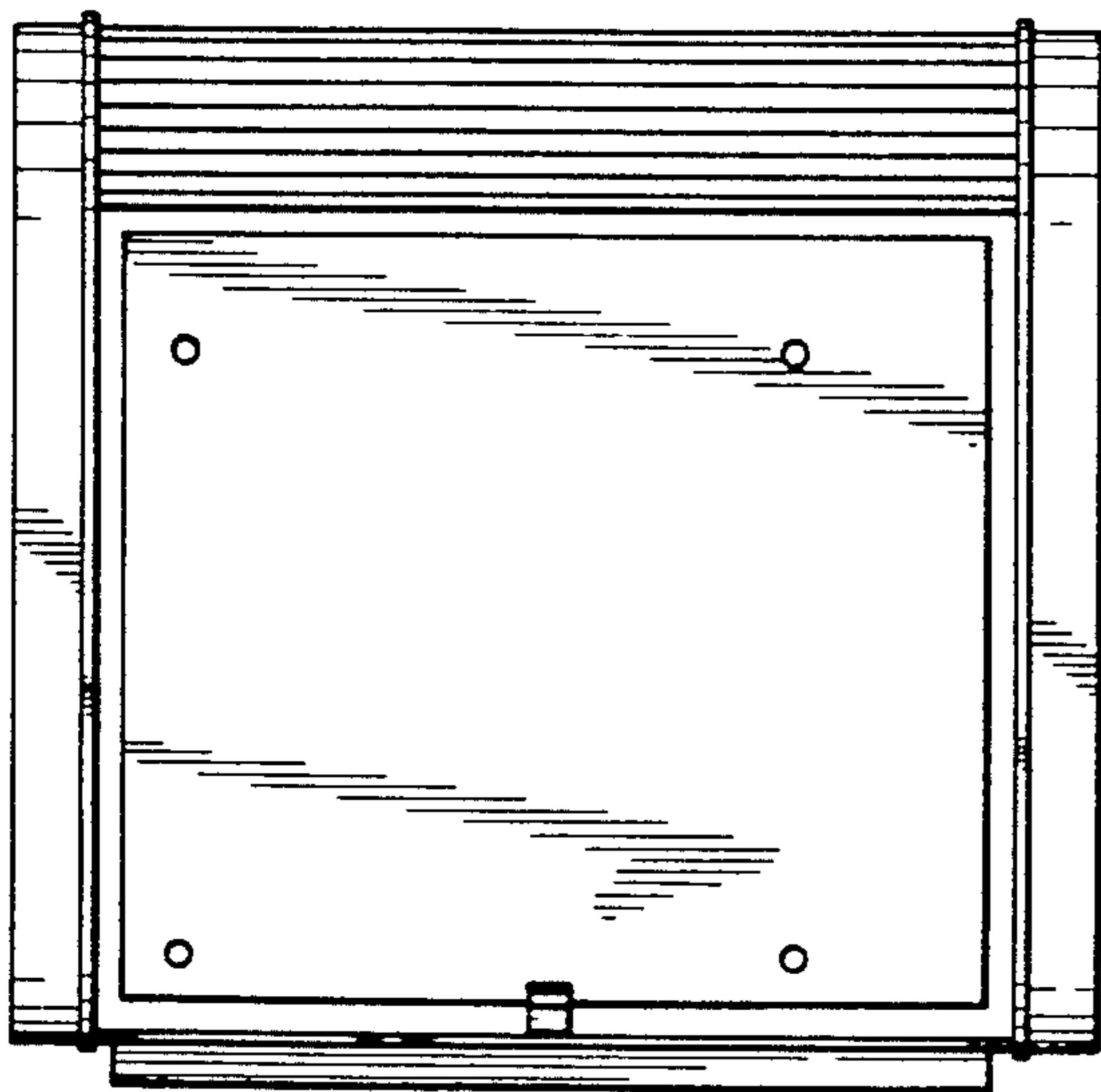


FIG. 5

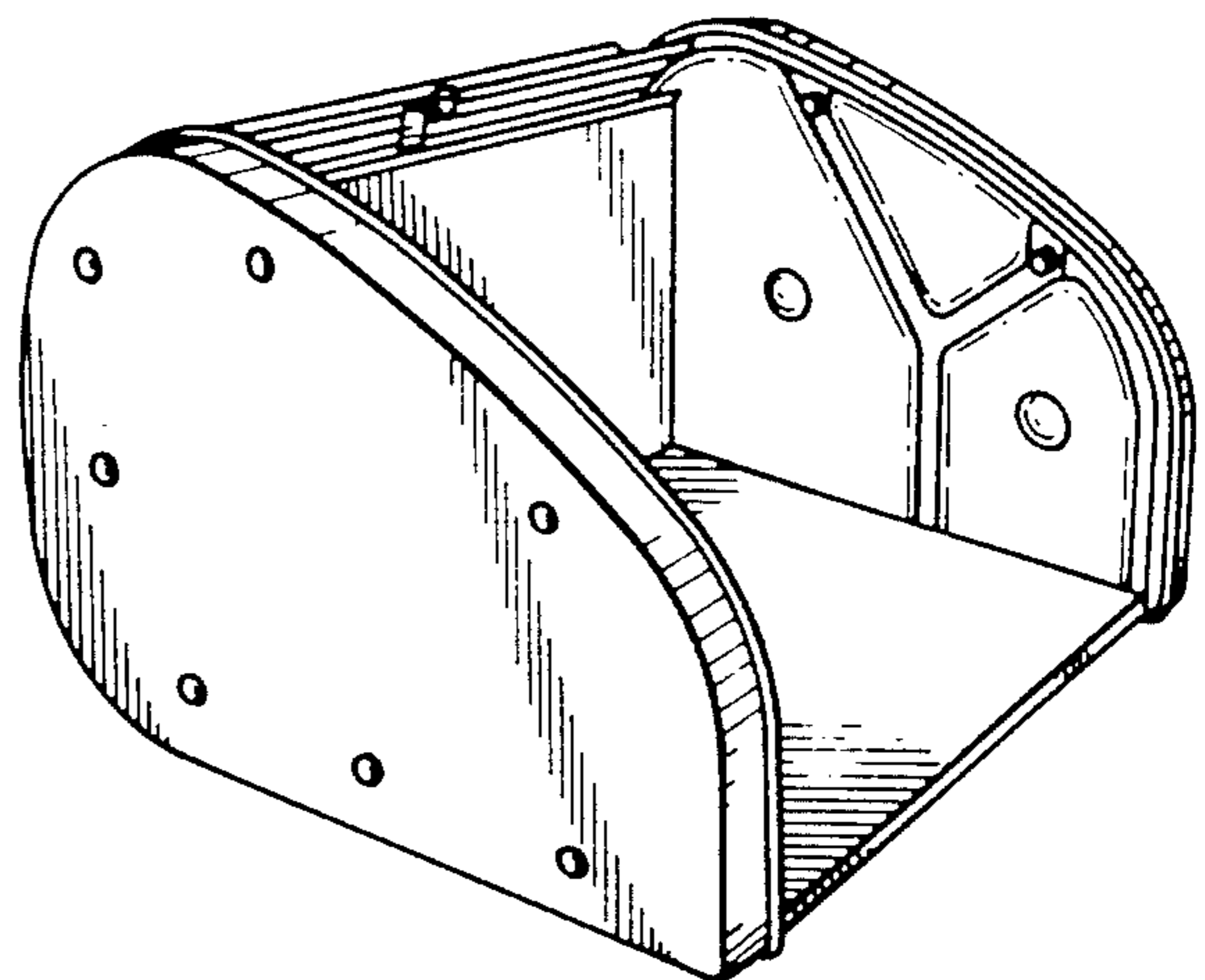


FIG. 6