

[54] TIE RACK

[76] Inventor: Byrtle R. Kean, 391 E. Grant St., East Palestine, Ohio 44413

[**] Term: 14 Years

[21] Appl. No.: 419,951

[22] Filed: Sep. 20, 1982

[52] U.S. Cl. D6/323

[58] Field of Search D6/113, 114, 116, 117, D6/118, 251, 124; D3/61-65; 211/60 R, 60 A, 60 T, 87, 88, 105.1, 13, 123, 124

[56] References Cited

U.S. PATENT DOCUMENTS

D. 156,741	1/1950	Kauffman	D6/117
D. 208,890	10/1967	Sorenson	D6/251
2,403,834	7/1946	Streit	211/60 R
2,482,003	9/1949	Kauffman	211/87
2,525,259	10/1950	Fenzl	D6/99
3,398,867	8/1968	Taylor et al.	D6/251
3,853,225	12/1974	Gegauff	211/124

FOREIGN PATENT DOCUMENTS

505283 8/1954 Canada 211/124

OTHER PUBLICATIONS

Grammes Metal Products Cat. 66; ©1941; p. 40; bath curtain hook 3351 (upper left of center).

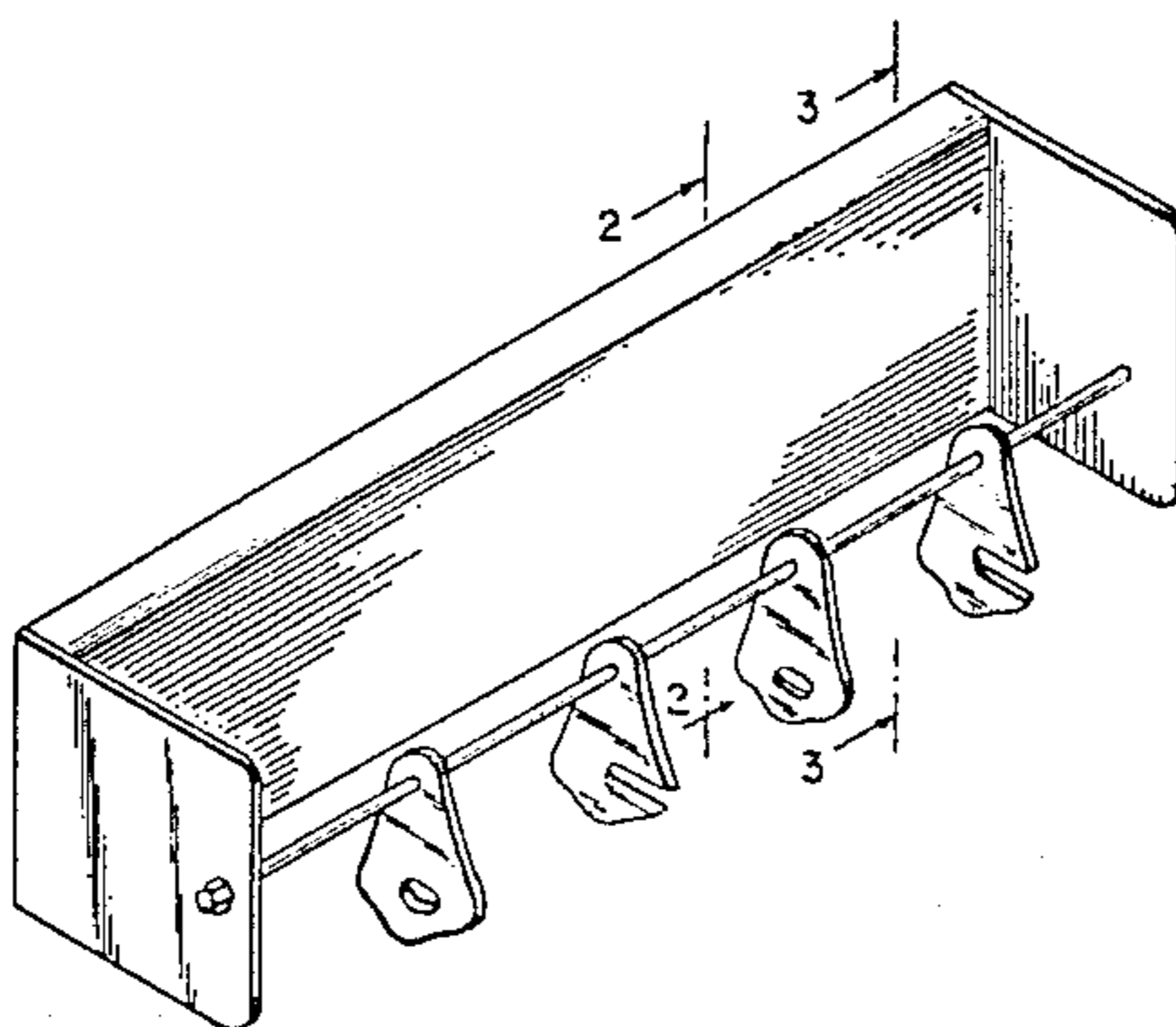
Primary Examiner—B. J. Bullock
Attorney, Agent, or Firm—Michael Williams; Warren N. Low

[57] CLAIM

The ornamental design for a tie rack, substantially as shown and described.

DESCRIPTION

FIG. 1 is a front perspective view of the tie rack showing my new design, the side opposite being a mirror image;
FIG. 2 is a sectional view taken in the direction of the arrows on line 2—2 of FIG. 1;
FIG. 3 is a section view taken in the direction of the arrows on line 3—3 of FIG. 1.



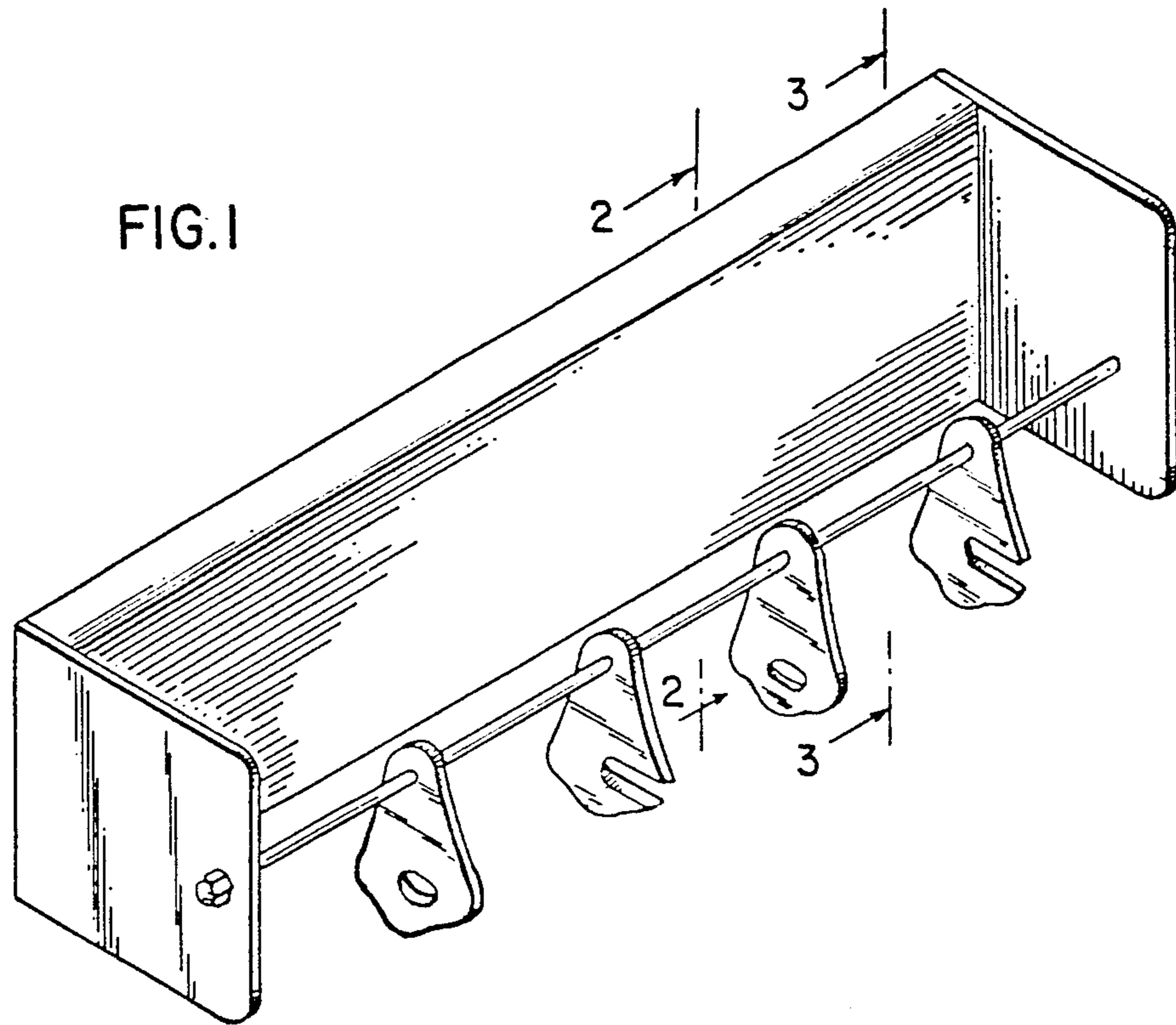


FIG. 2

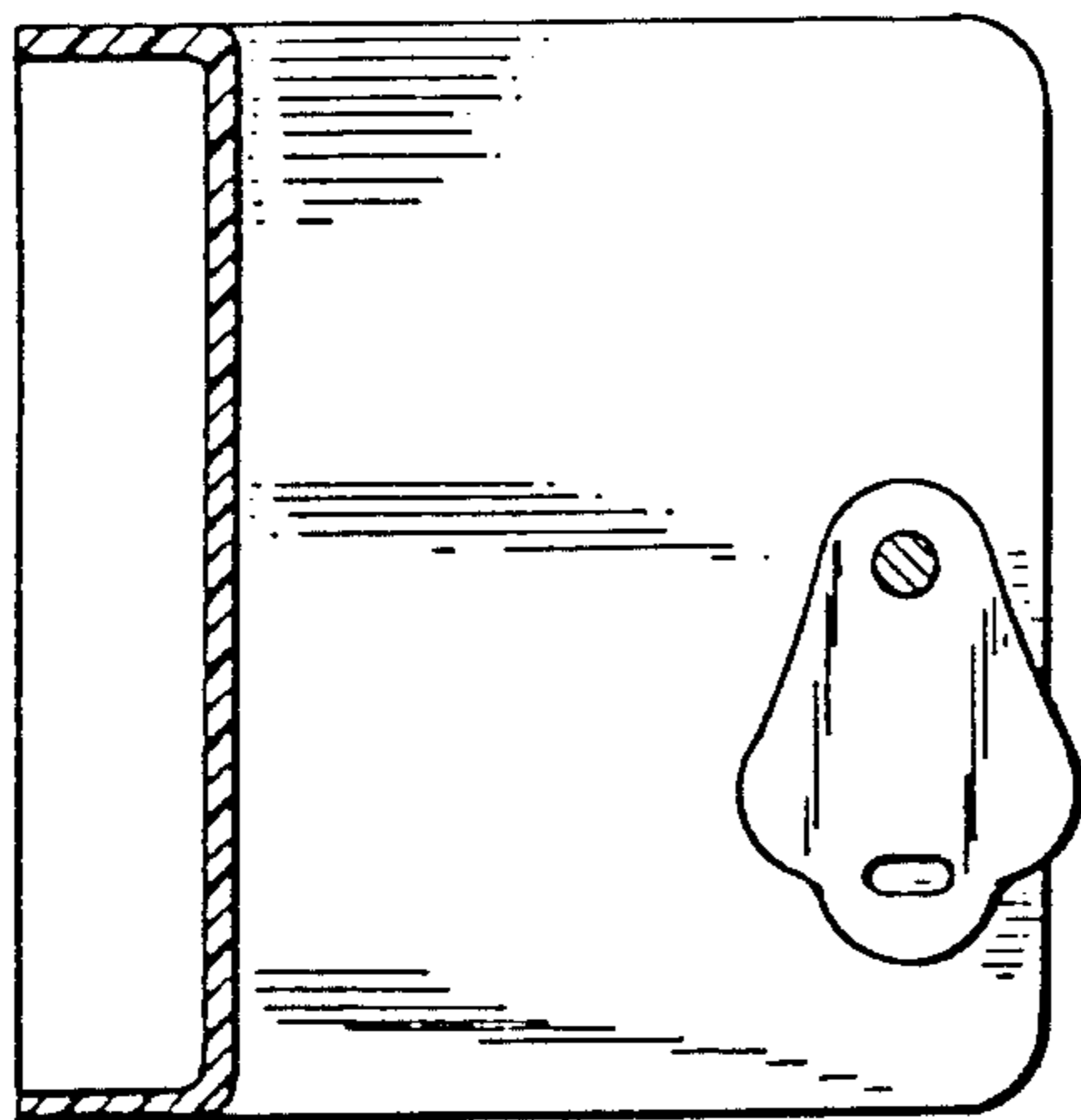


FIG. 3

