

[54] CHAIR

[75] Inventor: Danny M. Truette, Pineville, N.C.

[73] Assignee: Pellon and Crane Company, Charlotte, N.C.

[**] Term: 14 Years

[21] Appl. No.: 384,803

[22] Filed: Jun. 3, 1982

[52] U.S. Cl. D6/366; D6/367

[58] Field of Search D6/26, 30, 31, 47, 78

[56] References Cited

U.S. PATENT DOCUMENTS

- D. 127,977 7/1941 Shepherd D6/30
- D. 194,458 1/1963 Pearson D6/30
- D. 267,680 1/1983 Leffler et al. D6/30

OTHER PUBLICATIONS

Design Catalog, Apr. 1975, p. 83, Chair by Tansad.

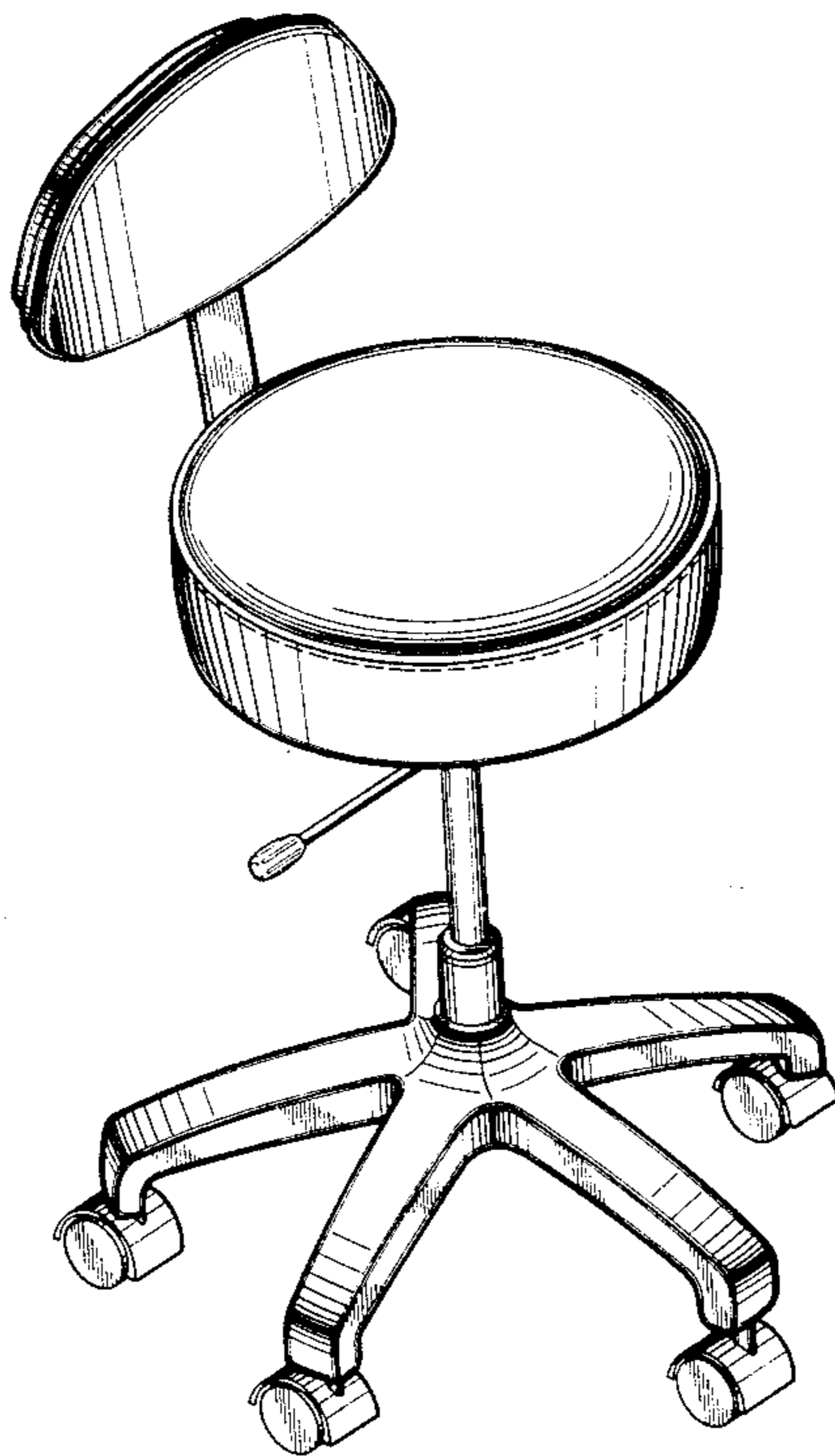
Primary Examiner—Bruce W. Dunkins
Attorney, Agent, or Firm—Stuart E. Kreiger; Richard H. Brink; Isaac Jarkovsky

[57] CLAIM

The ornamental design for a chair, substantially as shown and described.

DESCRIPTION

FIG. 1 is a front perspective view generally taken from one side of a chair showing my design;
FIG. 2 is a left side elevational view of the chair shown in FIG. 1;
FIG. 3 is a front elevational view of the chair shown in FIG. 1; and
FIG. 4 is a rear elevational view of the chair shown in FIG. 1.



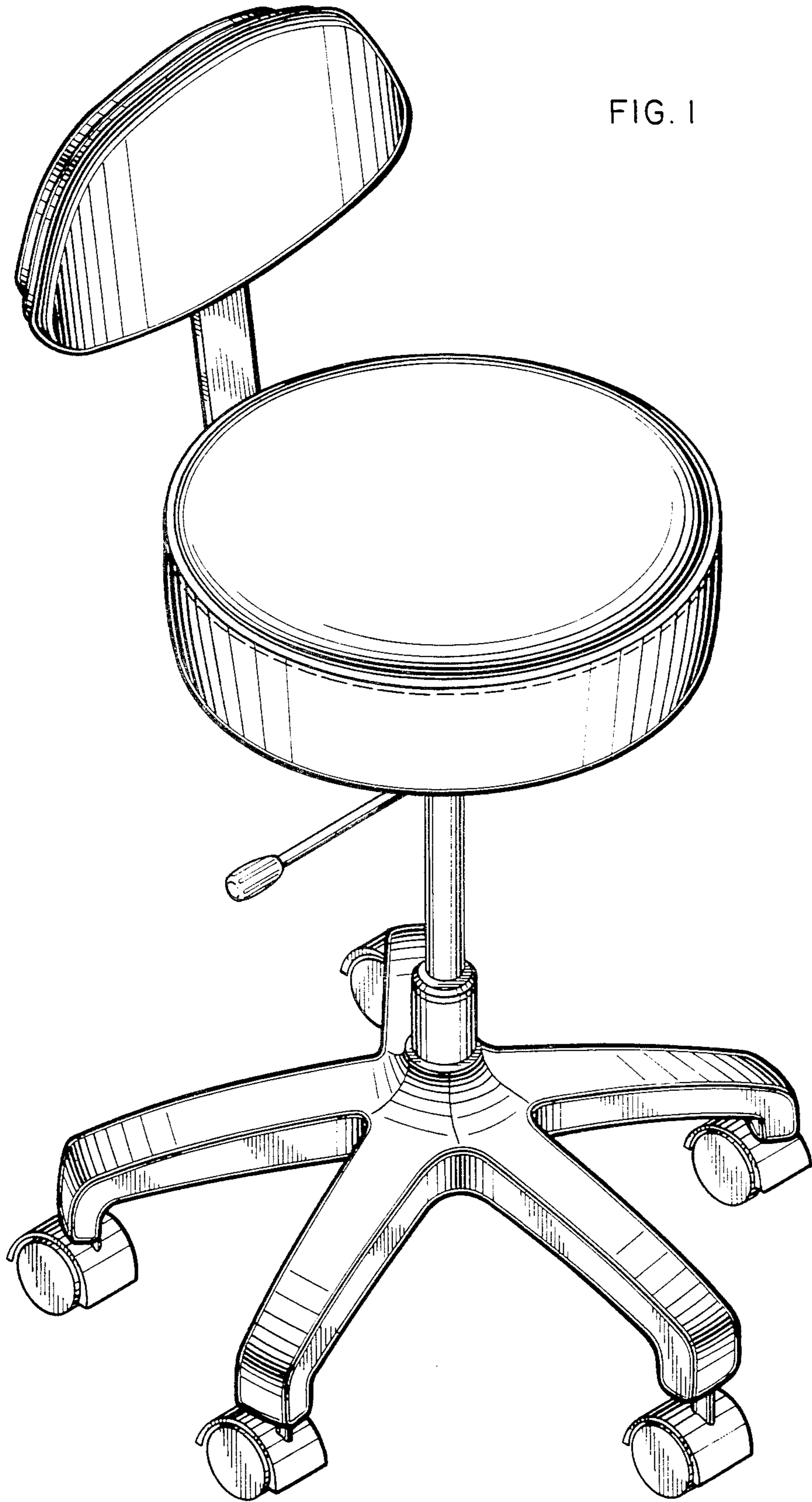


FIG. 1

FIG. 2

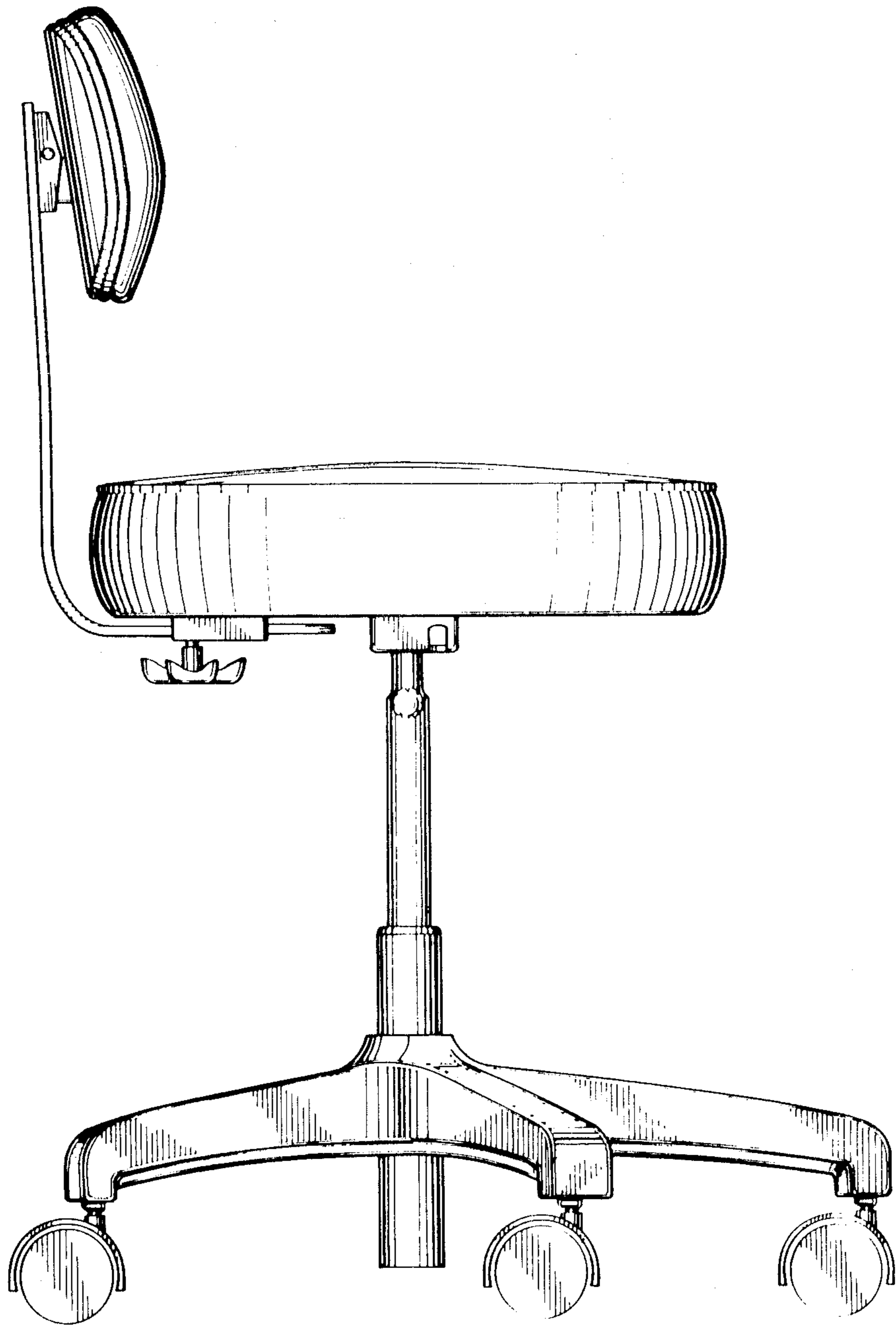


FIG. 3

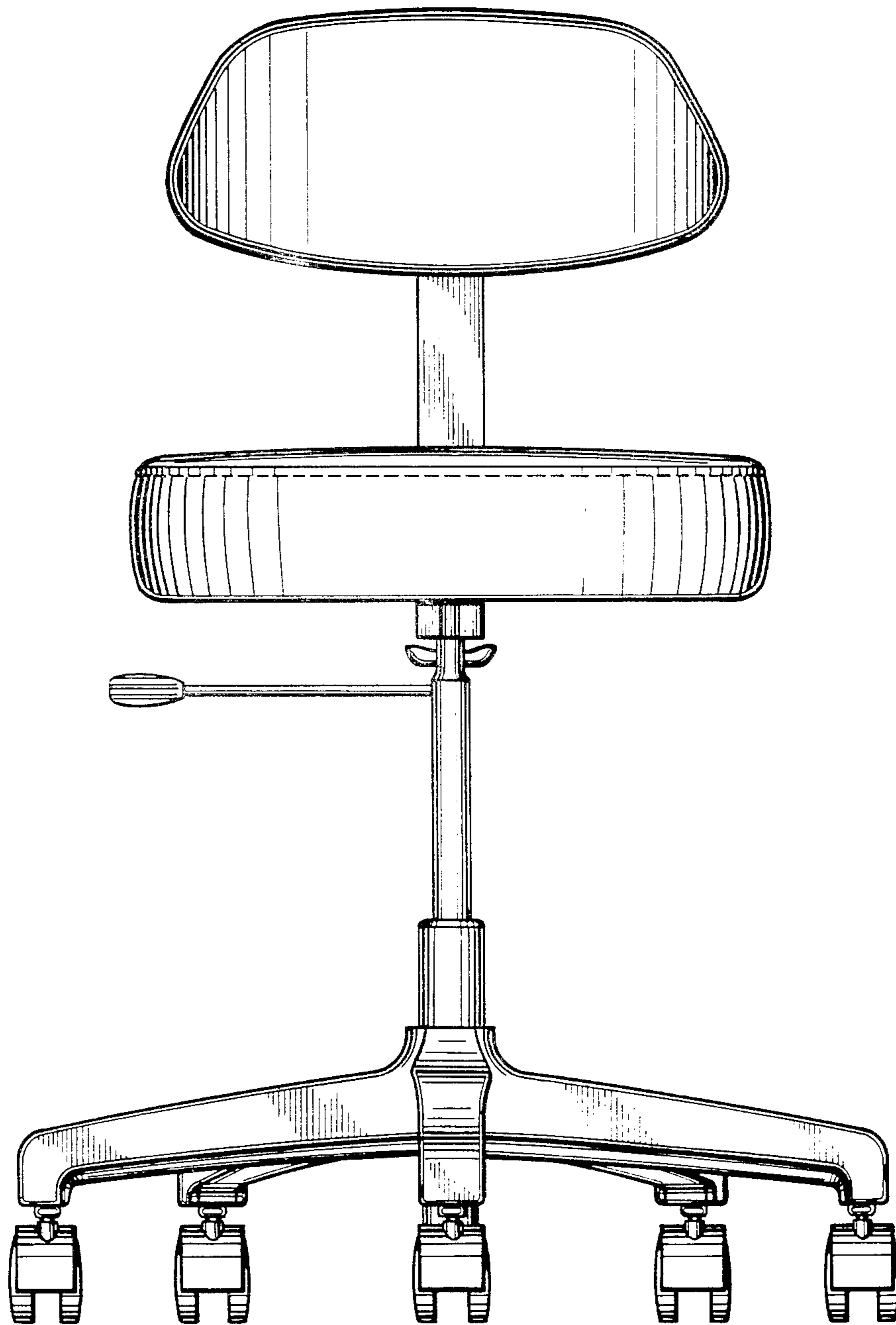


FIG. 4

