

[54] DISPLAY RACK

[75] Inventor: Myron L. Denhoff, New York, N.Y.

[73] Assignee: Myden Industries, Inc., New York, N.Y.

[**] Term: 14 Years

[21] Appl. No.: 393,176

[22] Filed: Jun. 28, 1982

[52] U.S. Cl. D6/458

[58] Field of Search D6/20-29, D6/85, 184

[56] References Cited

U.S. PATENT DOCUMENTS

D. 159,217 7/1950 Lydick D6/29

D. 252,962 9/1979 Wilks D6/28 X
D. 260,704 9/1981 Nathan et al. D6/184 X

Primary Examiner—Bruce W. Dunkins
Attorney, Agent, or Firm—James & Franklin

[57] CLAIM

The ornamental design for a display rack, substantially as shown and described.

DESCRIPTION

FIG. 1 is an isometric view showing two sides of the display rack of the present invention, the non-visible sides being identical to those illustrated; FIG. 2 is a front view of a typical side of the display rack of the present invention; and, FIG. 3 is a top view of the display rack of the present invention.

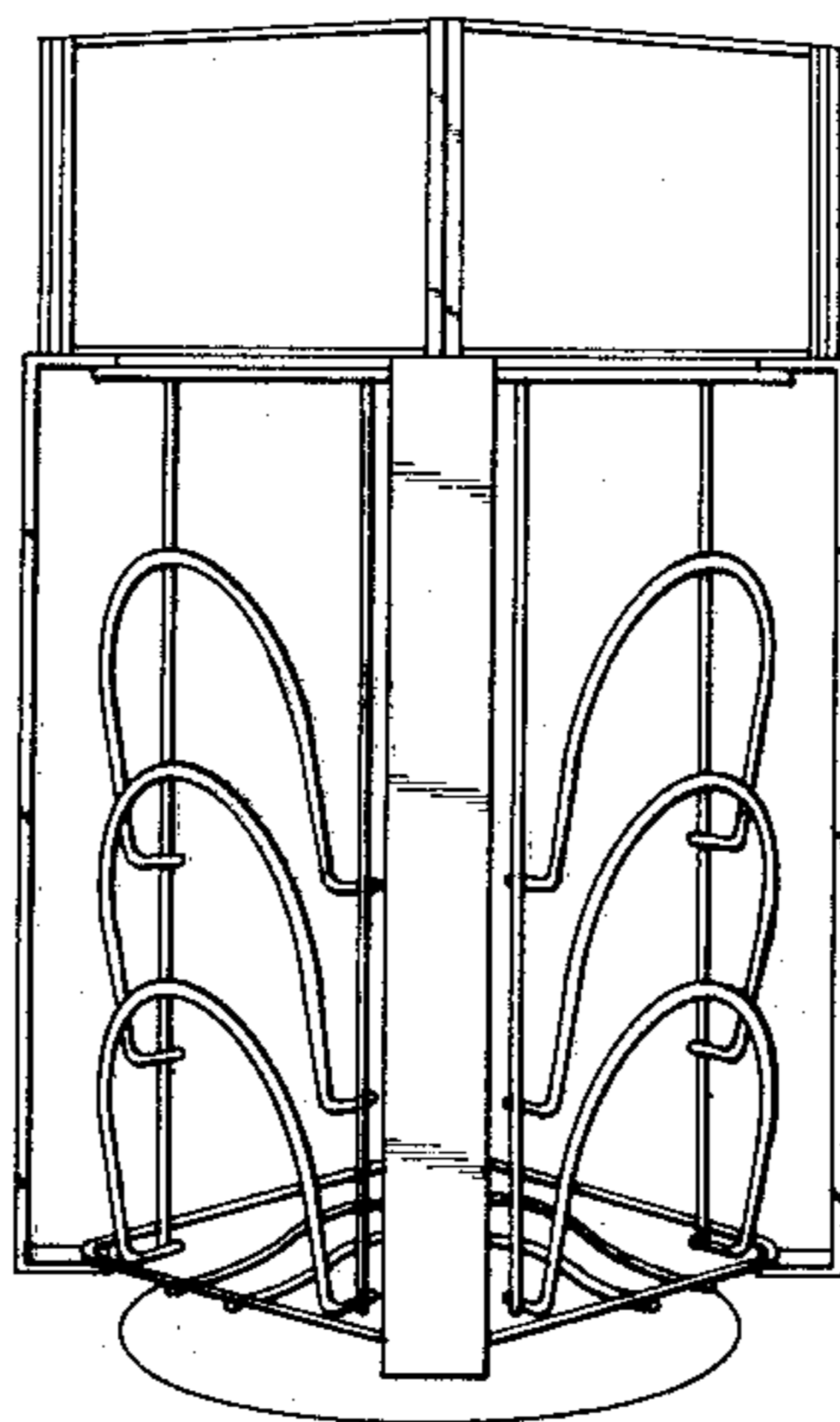
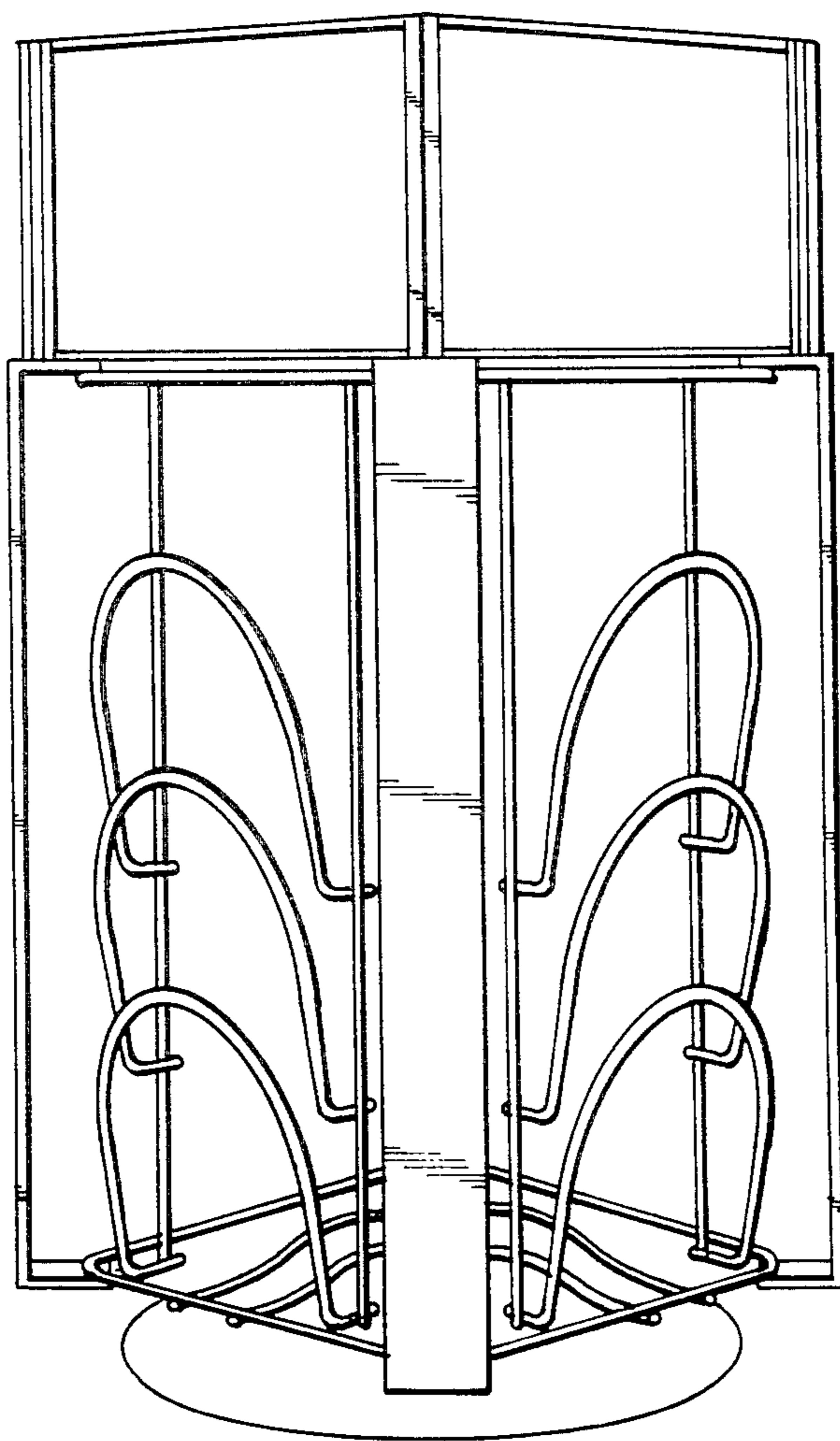


FIG. 1



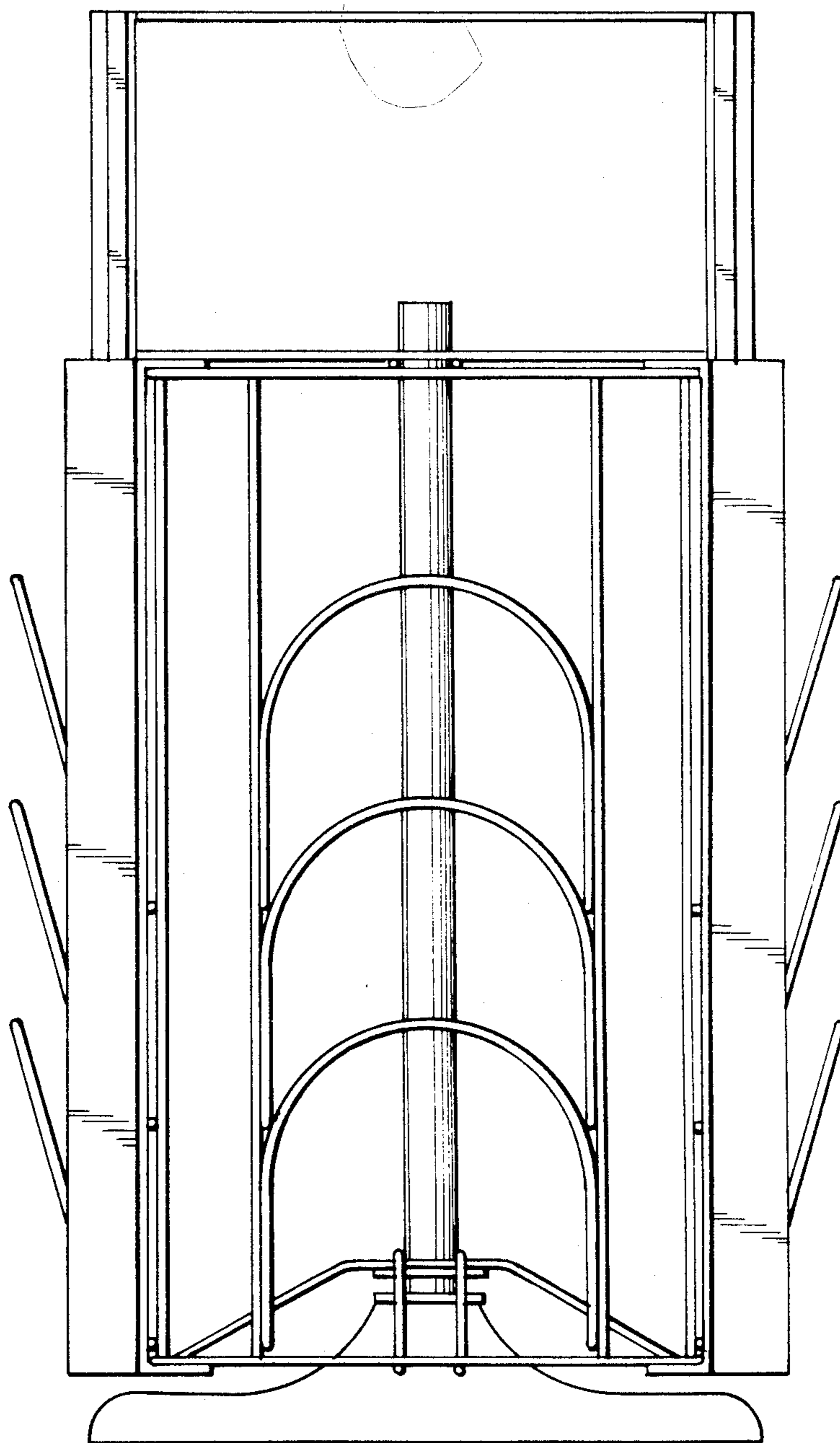


FIG. 2

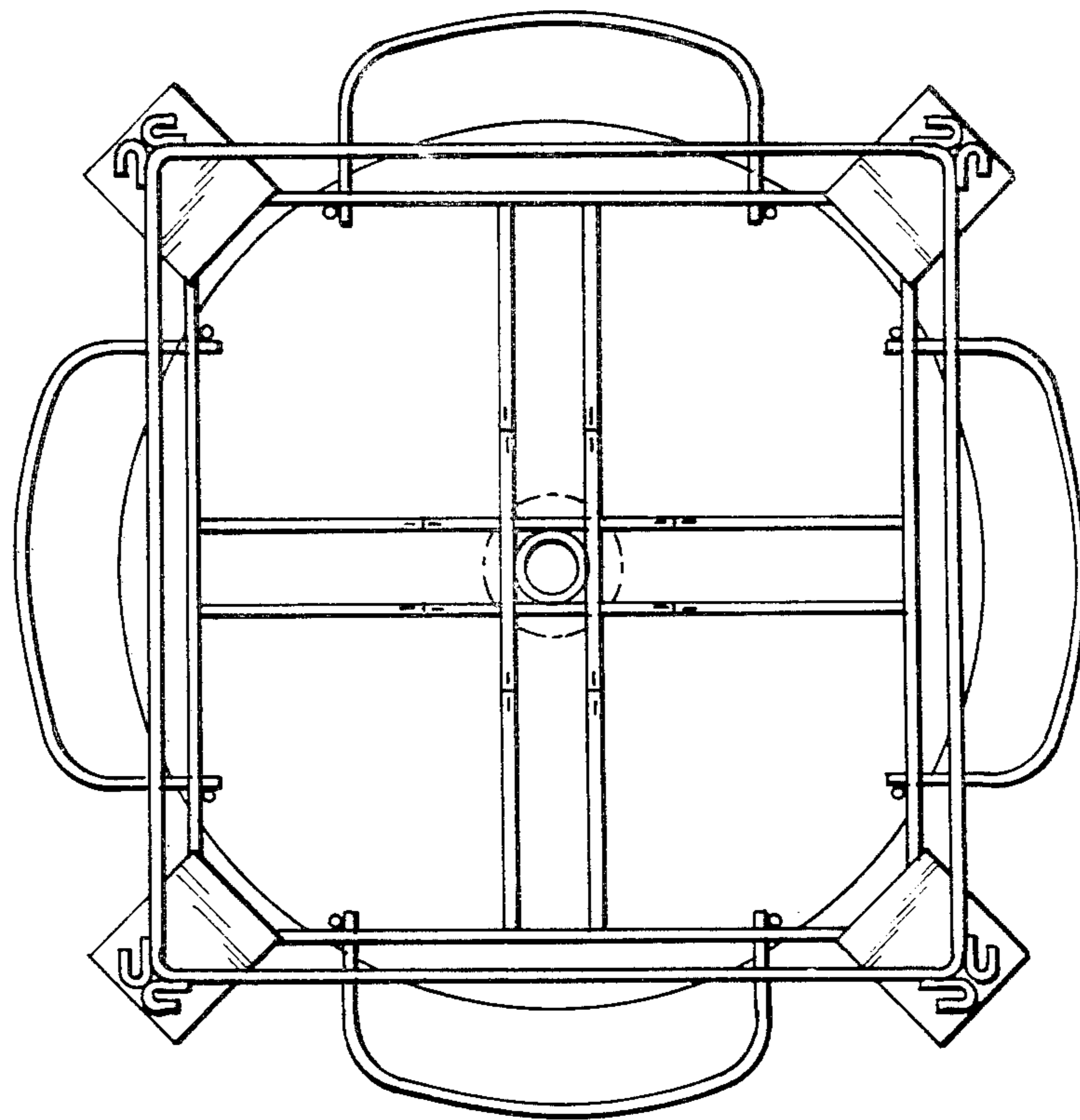


FIG. 3