

[54] **LINT REMOVER**

[75] **Inventor: Nicholas D. McKay, Grand Blanc, Mich.**

[73] **Assignee: Helmac Products Corporation, Flint, Mich.**

[**] **Term: 14 Years**

[21] **Appl. No.: 290,722**

[22] **Filed: Aug. 6, 1981**

[52] **U.S. Cl. D4/122**

[58] **Field of Search D4/23.1; 15/104 A**

[56] **References Cited**

U.S. PATENT DOCUMENTS

3,225,373	12/1965	Kisbany	15/104 A
3,421,170	1/1969	Thomas, Jr.	15/104 A
3,623,179	11/1971	Roth	15/104 A
4,361,923	12/1982	McKay	15/104 A

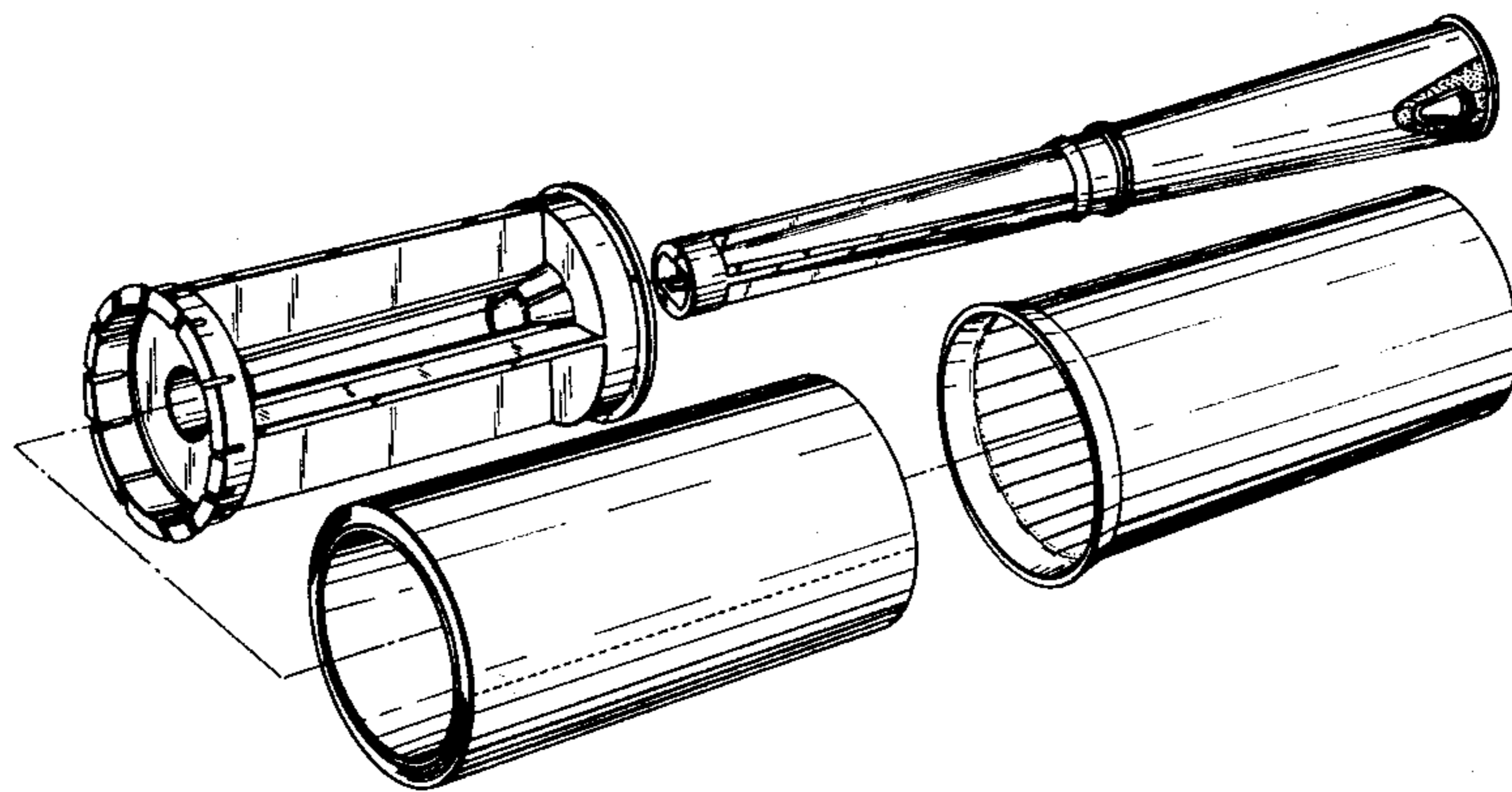
Primary Examiner—Catherine E. Kemper
Attorney, Agent, or Firm—Miller, Morriss & Pappas

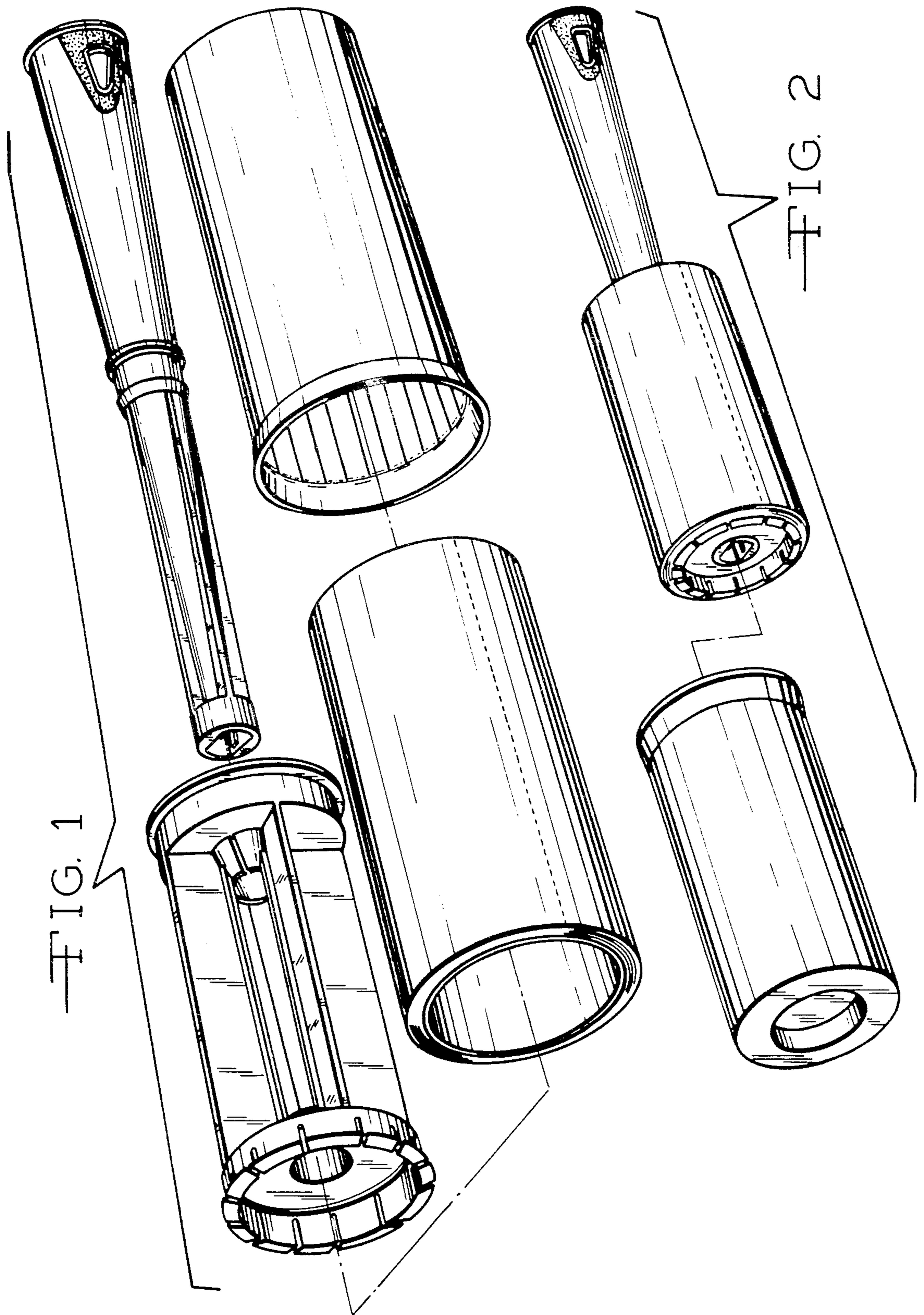
[57] **CLAIM**

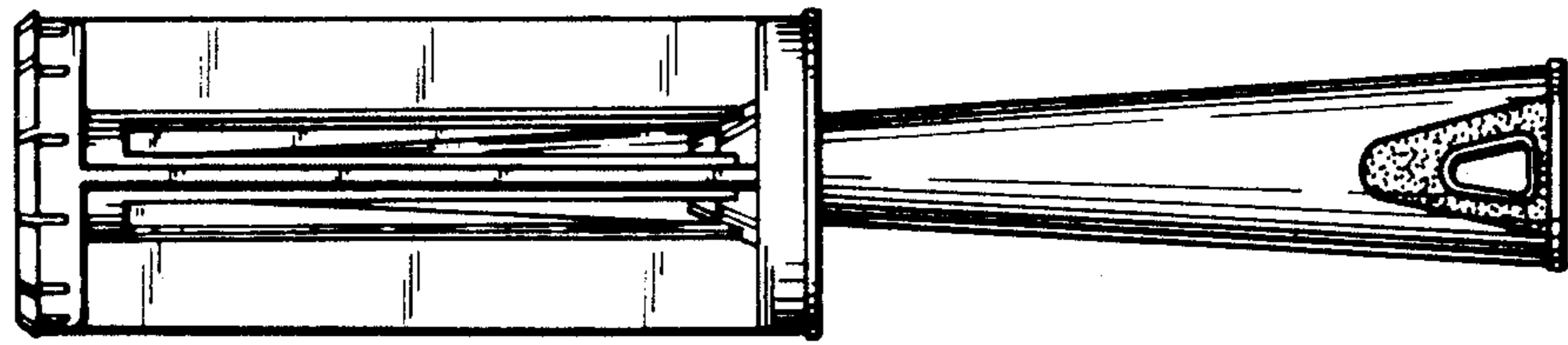
The ornamental design for a lint remover, as shown and described.

DESCRIPTION

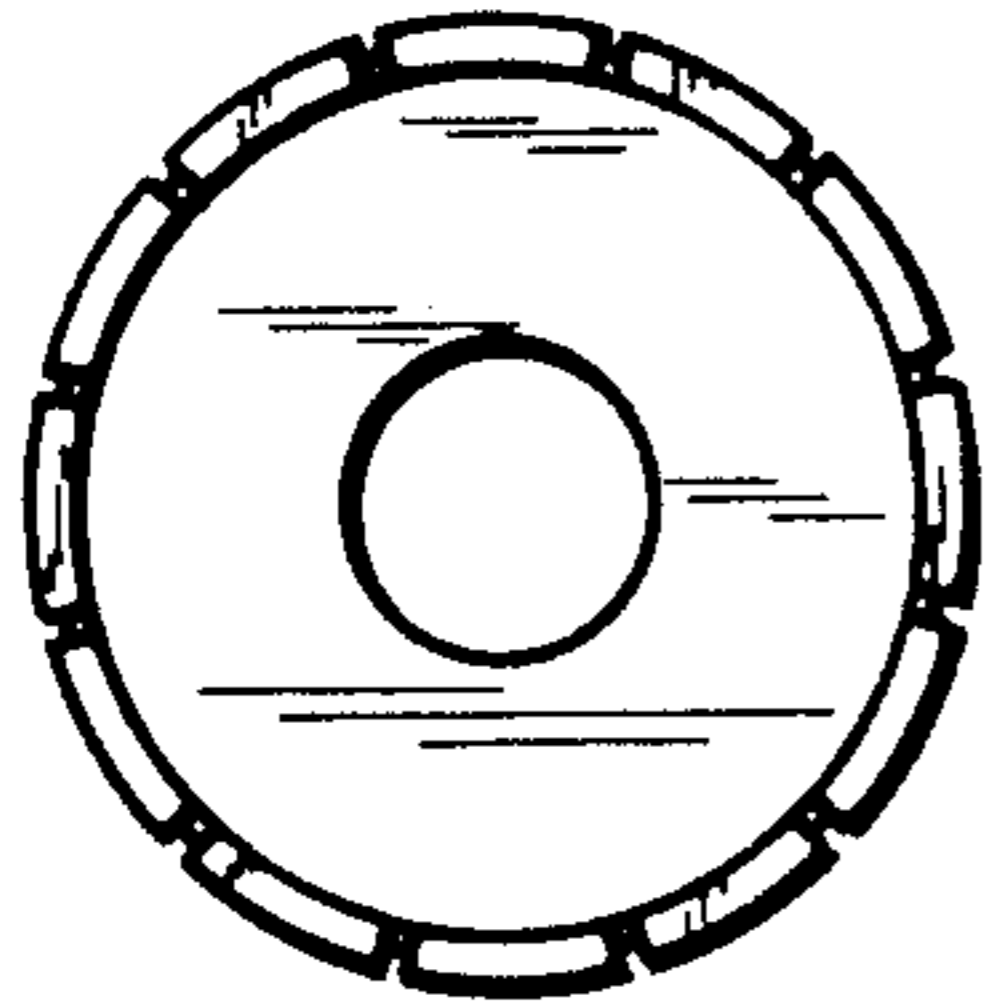
FIG. 1 is an exploded perspective view of a lint remover, showing my new design;
FIG. 2 is a perspective view showing the lint remover as it appears when partially assembled;
FIG. 3 is a side elevational view of the partially assembled lint remover;
FIG. 4 is a left end elevational view thereof;
FIG. 5 is a right end elevational view thereof;
FIG. 6 is a side elevational view of the fully assembled lint remover;
FIG. 7 is an exploded perspective view of a second embodiment of a lint remover;
FIG. 8 is a top plan view thereof with the tape roll removed for clarity;
FIG. 9 is a left end elevational view thereof;
FIG. 10 is a left end elevational view of a third embodiment of a lint remover;
FIG. 11 is a left end elevational view of a fourth embodiment of a lint remover;
FIG. 12 is a partial cross sectional view of the embodiment shown in FIG. 11.



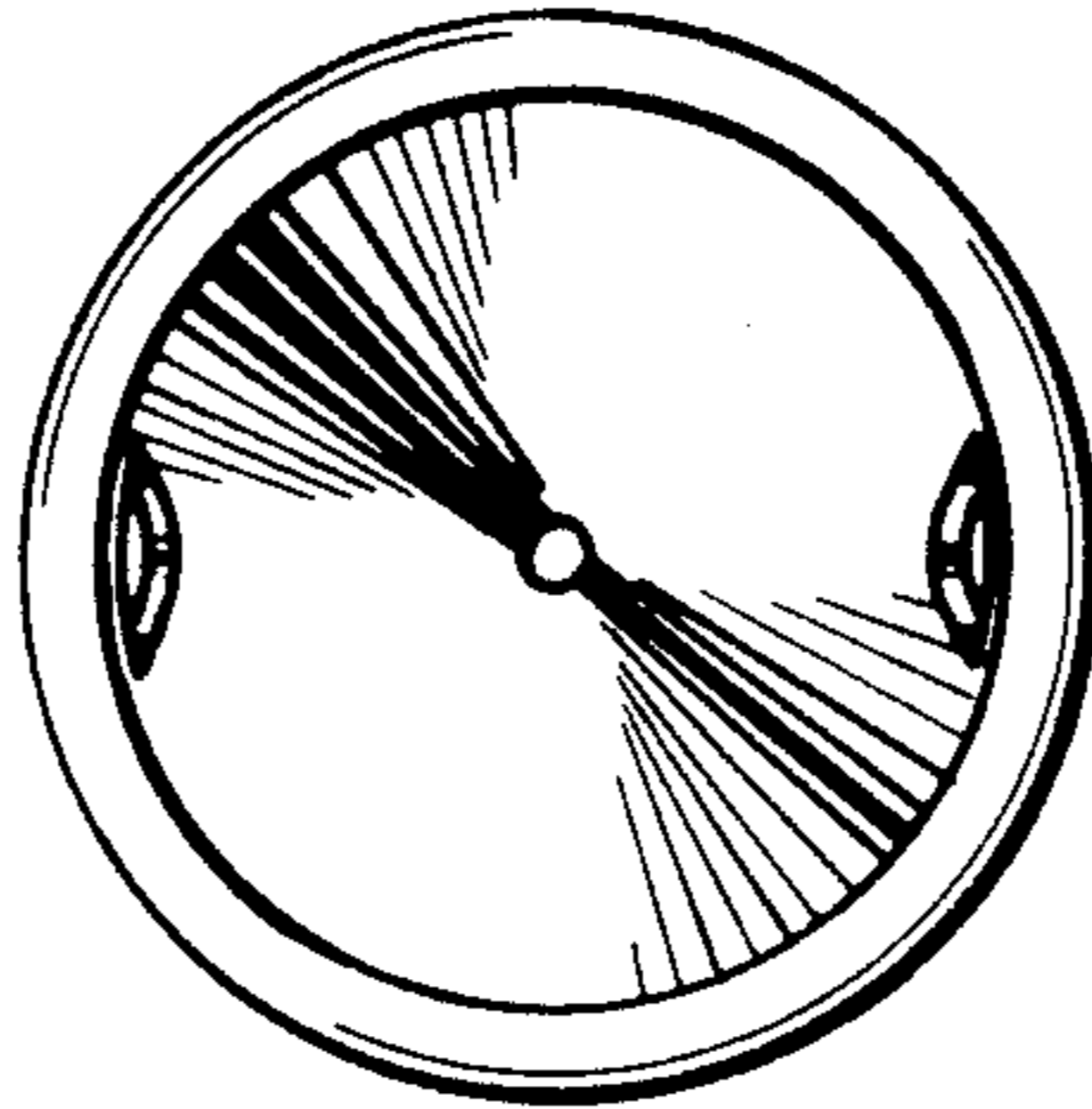




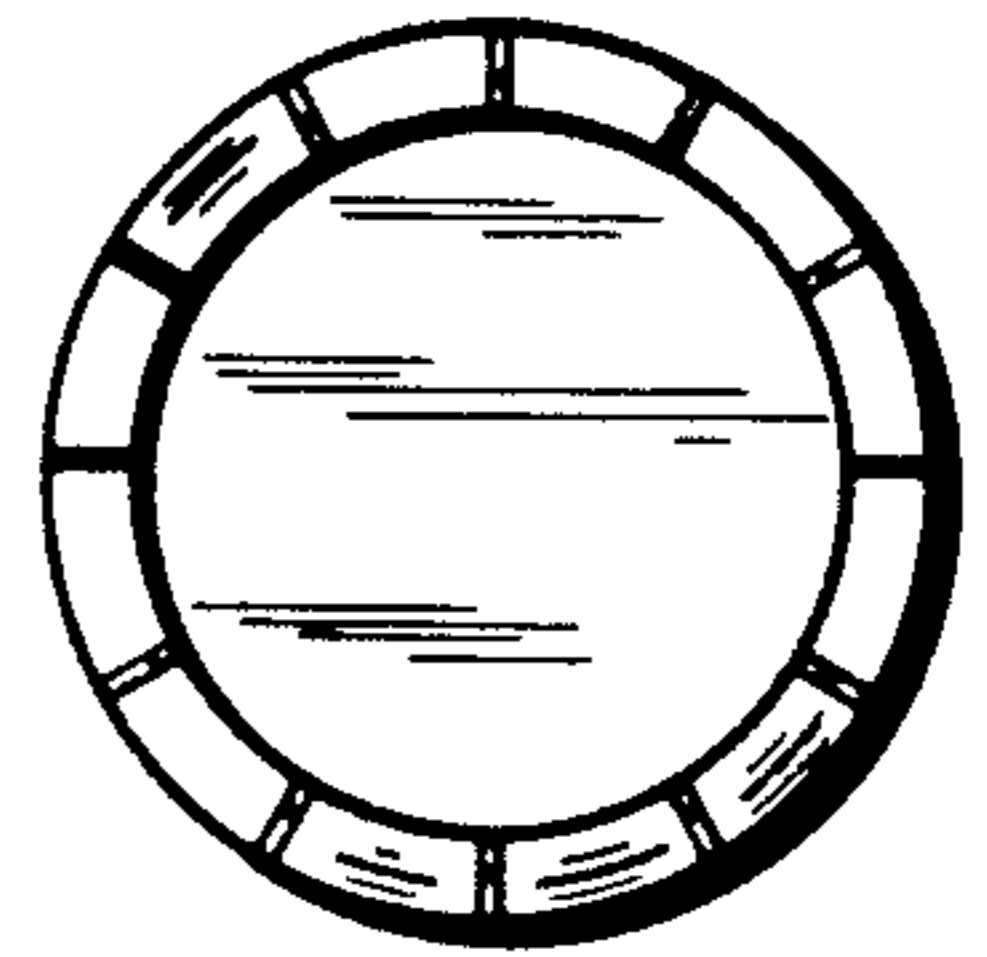
—FIG. 3



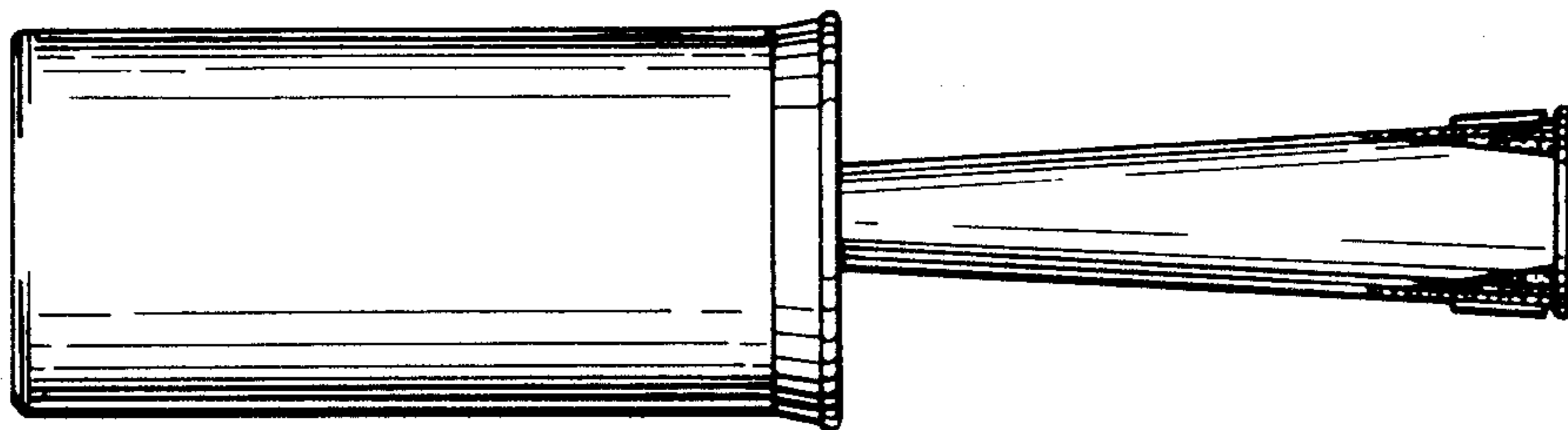
—FIG. 4



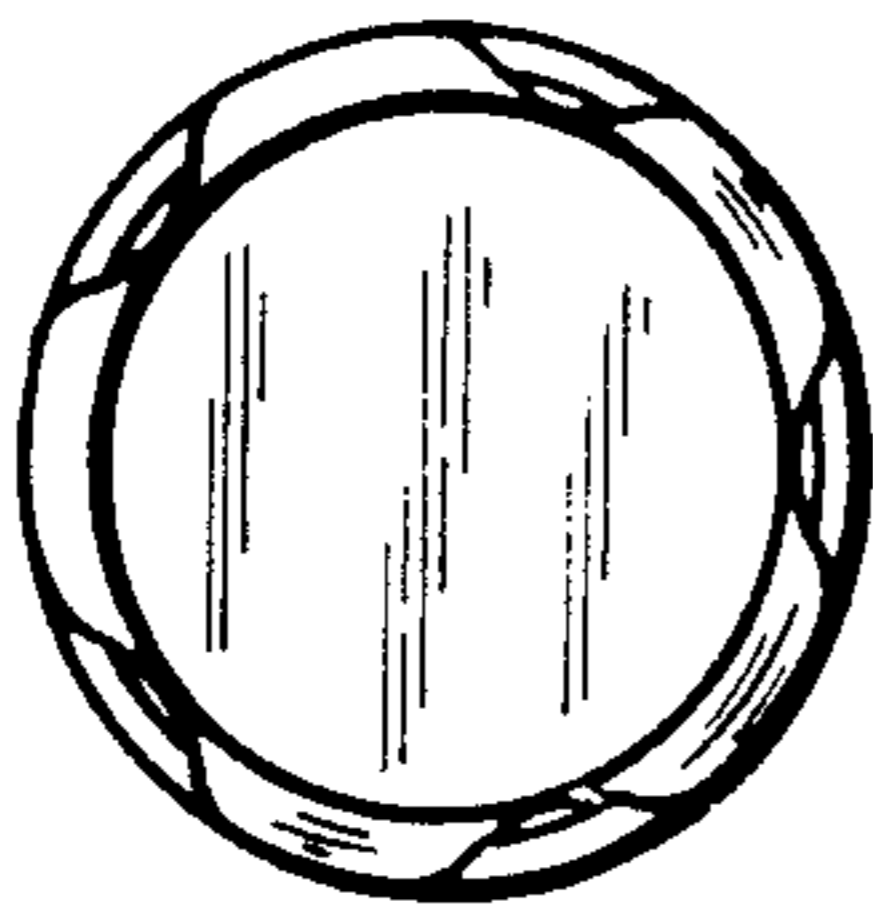
—FIG. 5



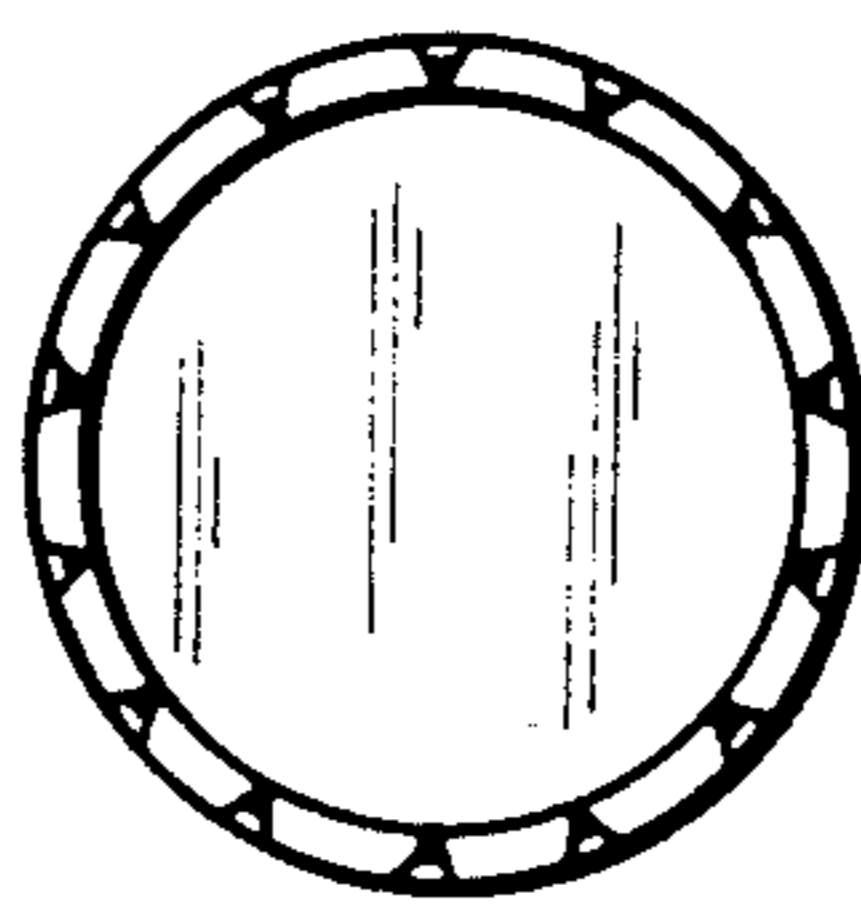
—FIG. 9



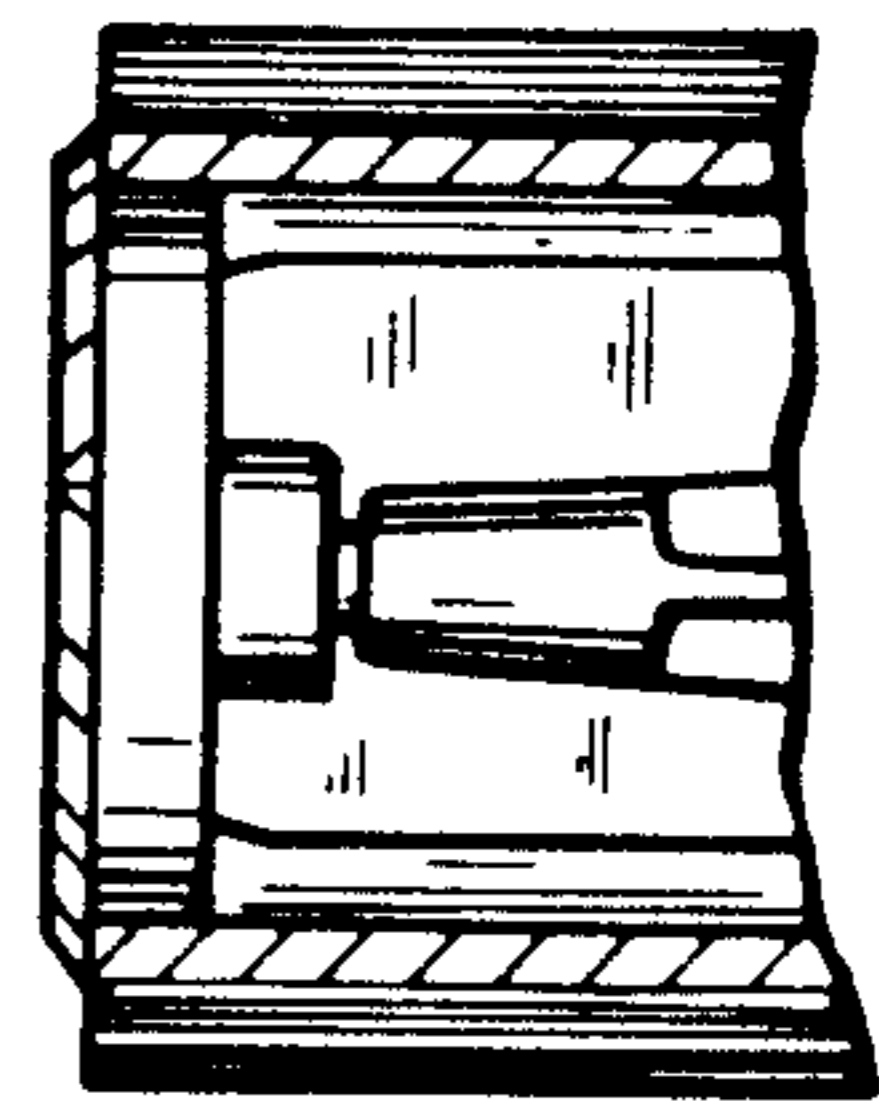
—FIG. 6



—FIG. 10



—FIG. 11



—FIG. 12

