

[54] **FIELD CASE FOR A CAMERA**

[75] **Inventor: Vincent F. Lang, Rochester, N.Y.**

[73] **Assignee: Eastman Kodak Company,
Rochester, N.Y.**

[**] **Term: 14 Years**

[21] **Appl. No.: 365,841**

[22] **Filed: Apr. 5, 1982**

[52] **U.S. Cl. D3/33; D3/79**

[58] **Field of Search D3/30.1, 33, 35, 52,
D3/77-79; 150/52 J**

[56] **References Cited**

U.S. PATENT DOCUMENTS

- D. 161,409 1/1951 Bachi D3/33
- D. 200,990 4/1965 Lang D3/33
- D. 210,058 1/1968 Lang et al. D3/33

3,835,905 9/1974 Spruyt 150/52 J

FOREIGN PATENT DOCUMENTS

2338945 2/1975 Fed. Rep. of Germany 150/52 J

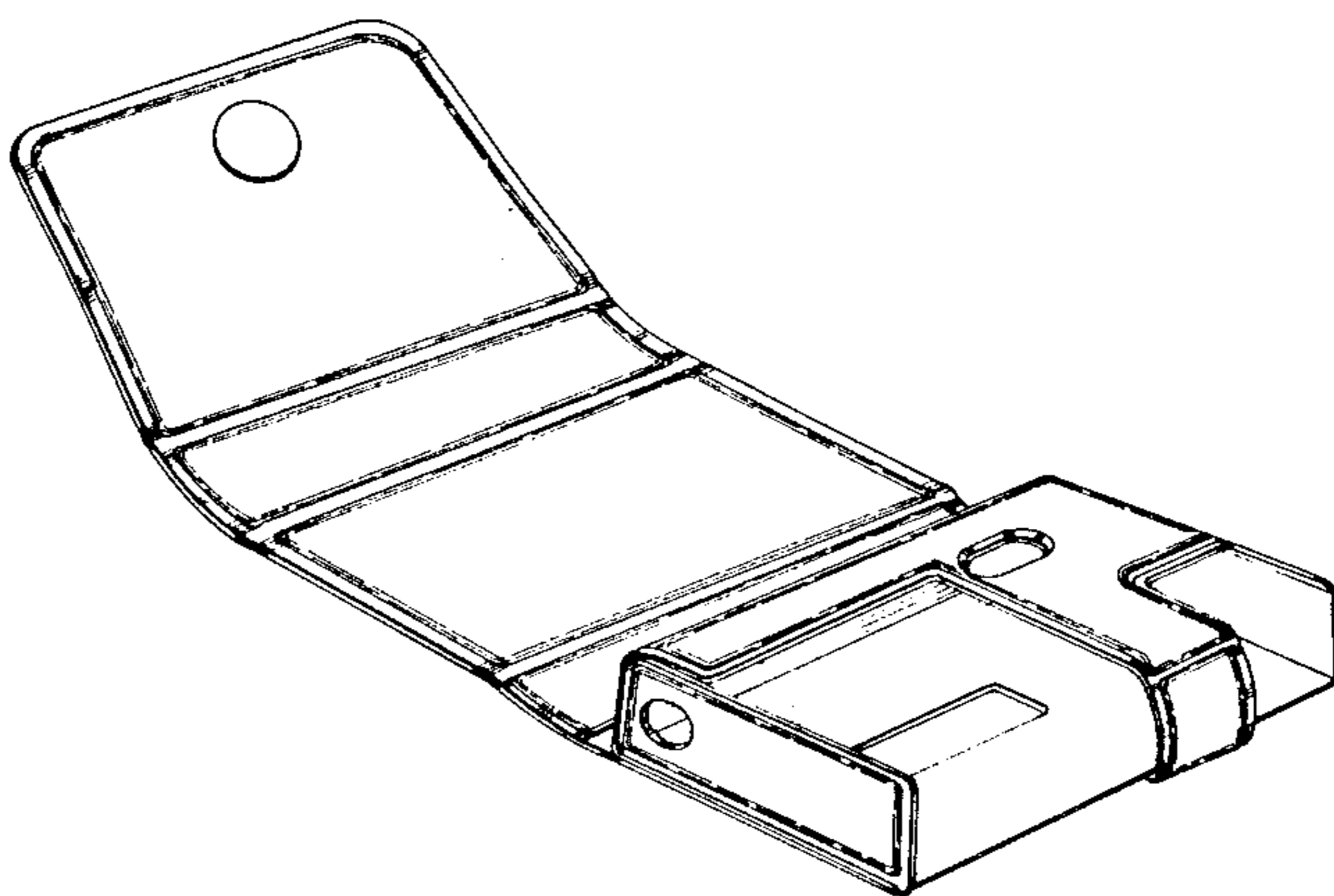
Primary Examiner—George P. Word
Attorney, Agent, or Firm—Roger A. Fields

[57] **CLAIM**

The ornamental design for a field case for a camera, substantially as shown and described.

DESCRIPTION

FIG. 1 is a front perspective view of a field case for a camera showing my new design;
 FIG. 2 is a rear perspective view of the field case, viewed from the bottom;
 FIG. 3 is a rear perspective view thereof in the opened condition; and
 FIG. 4 is a perspective view of FIG. 1 in the opened condition.



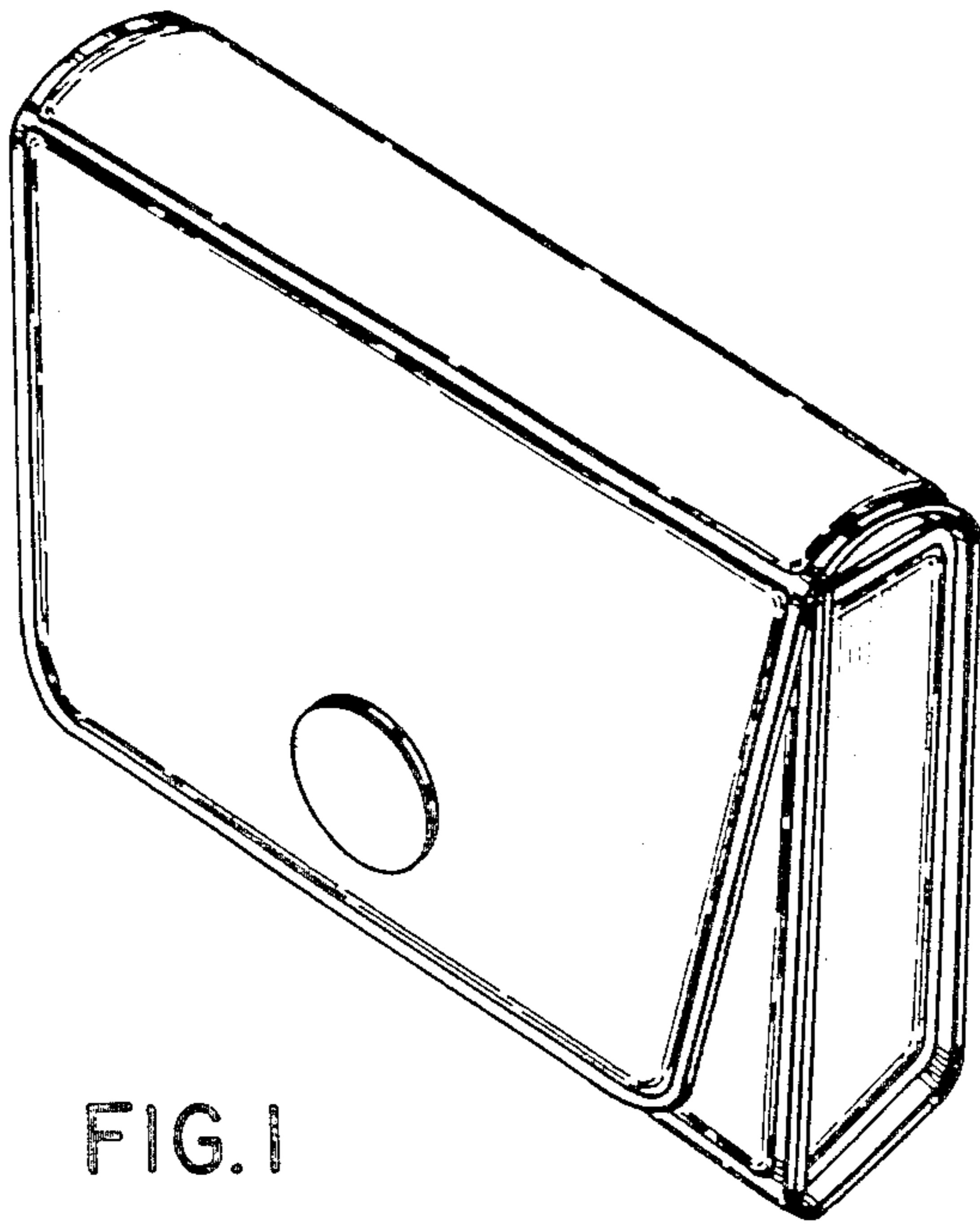


FIG. 1

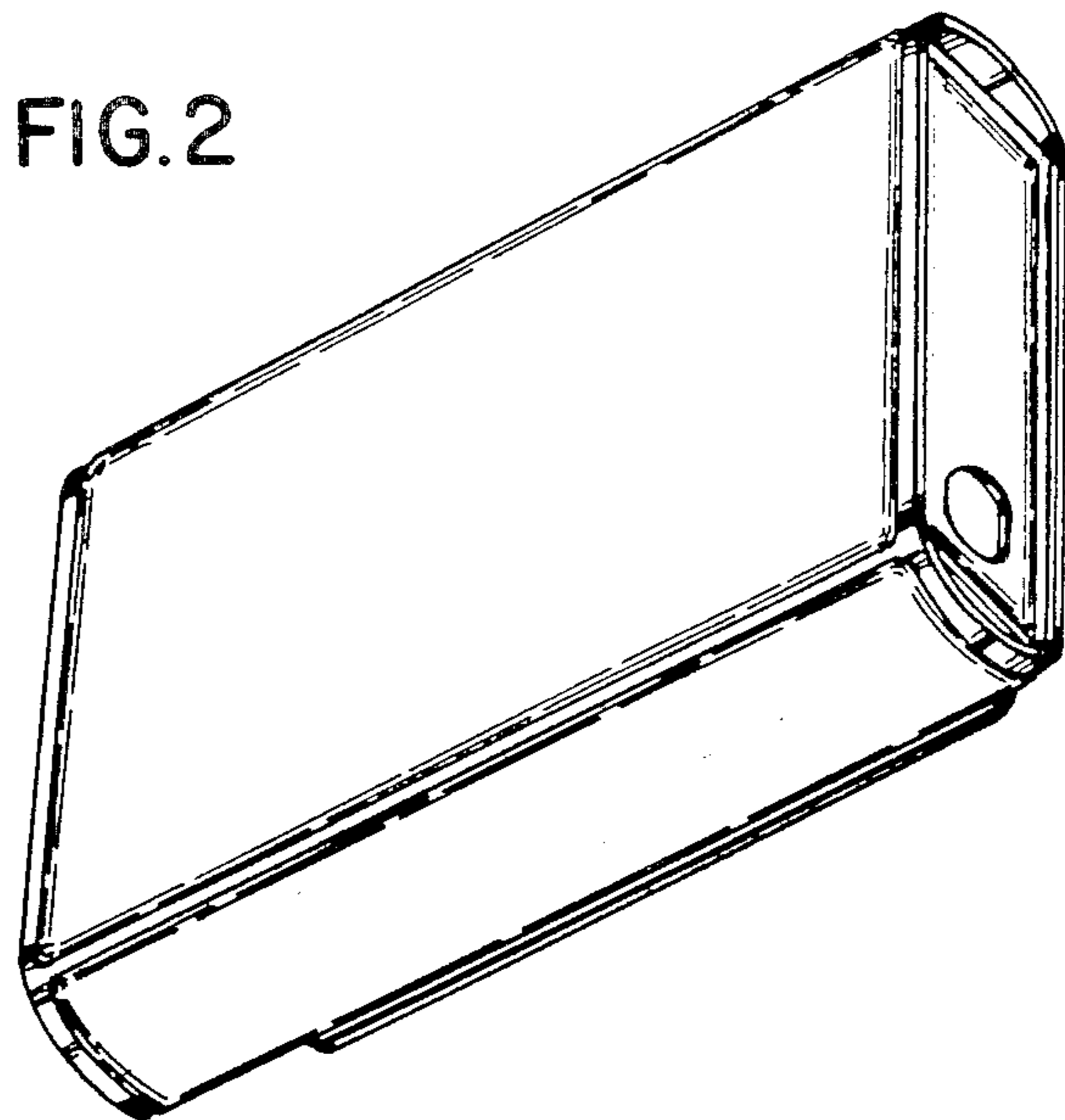


FIG. 2

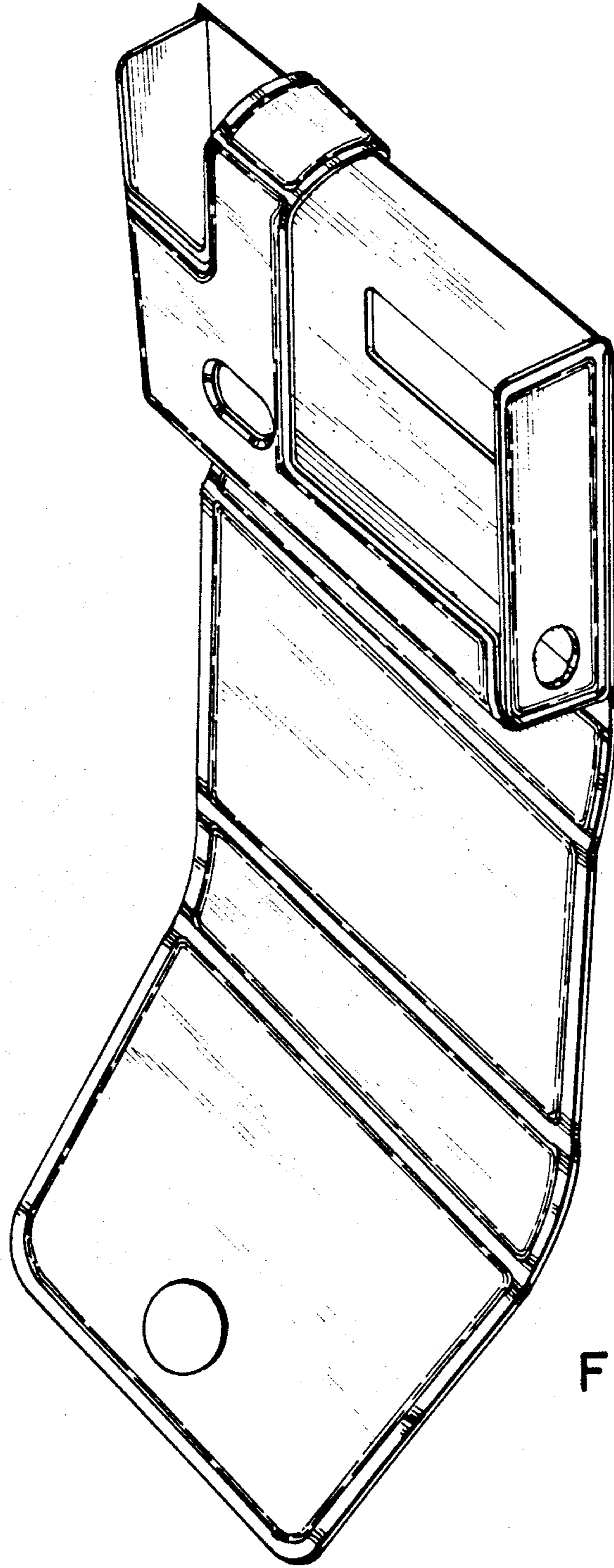


FIG. 3

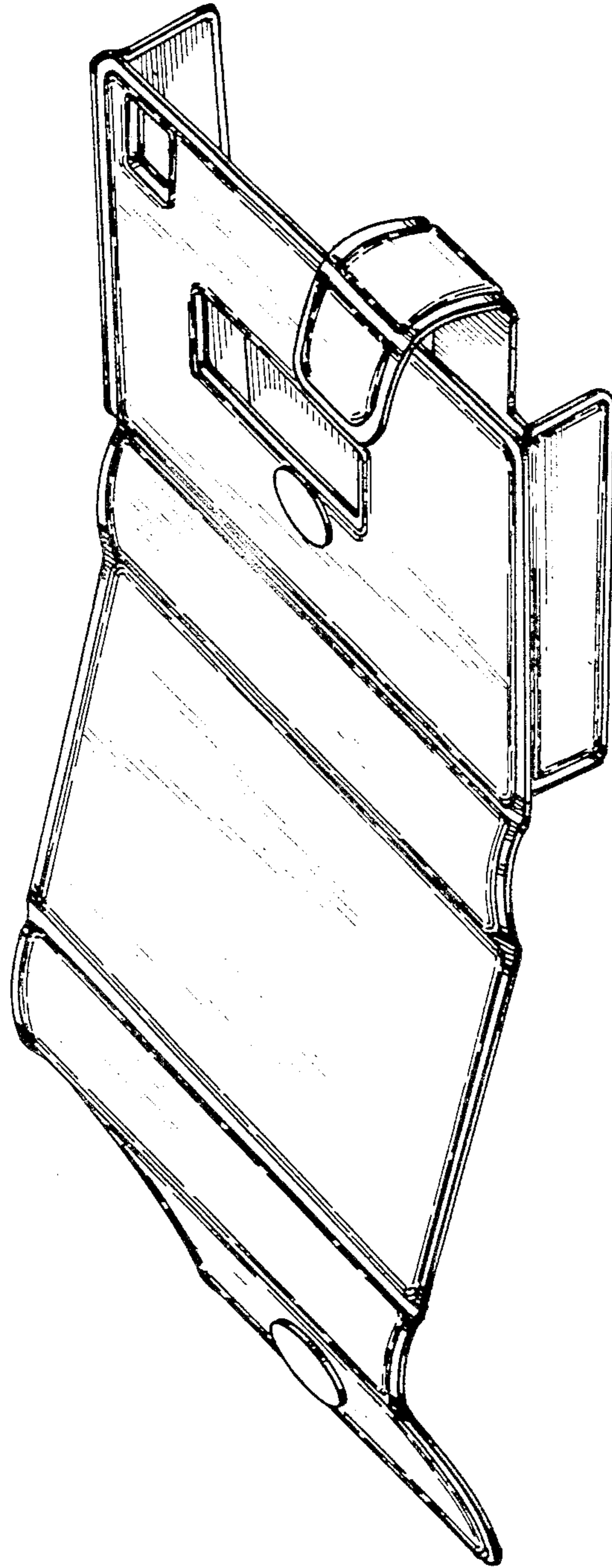


FIG. 4