

[54] BELT-ATTACHED CAN HOLDER

2,760,262 8/1956 Homan ..... 215/100 A  
4,325,503 4/1982 Swinney ..... 224/250 X

[76] Inventor: Lloyd M. Kesterson, 1450  
Woodberry La., Roseburg, Oreg.  
97470

Primary Examiner—Joel Stearman  
Assistant Examiner—Carmen H. Vales  
Attorney, Agent, or Firm—Klarquist, Sparkman,  
Campbell, Leigh & Whinston

[\*\*] Term: 14 Years

[21] Appl. No.: 372,467

[57] CLAIM

[22] Filed: Apr. 28, 1982

The ornamental design for a belt-attached can holder, as shown and described.

[52] U.S. Cl. .... D2/400

[58] Field of Search ..... D2/400; 224/148, 250,  
224/251, 253; 215/100 A; D9/434, 435, 455

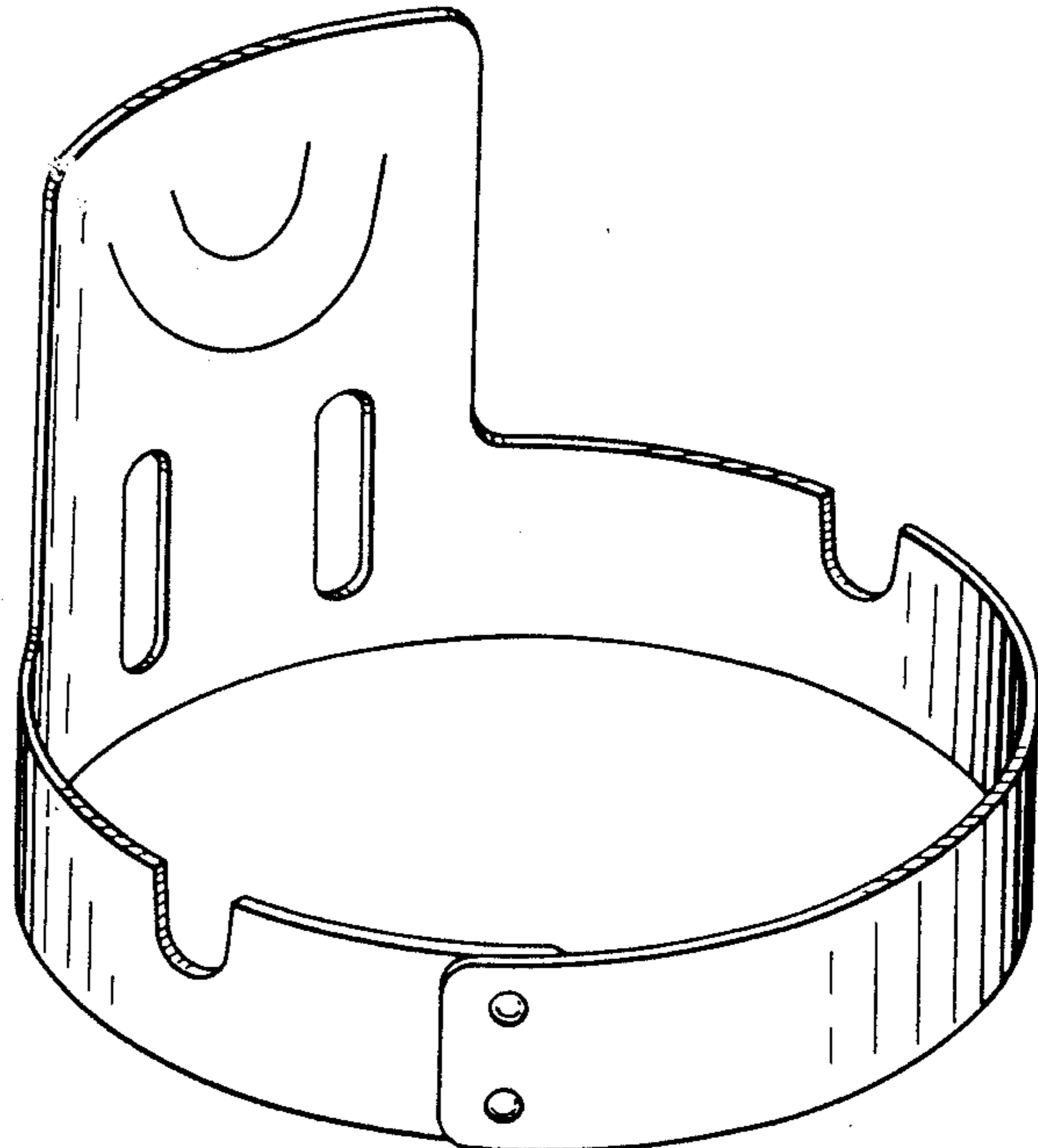
DESCRIPTION

[56] References Cited

U.S. PATENT DOCUMENTS

- D. 217,828 6/1970 Hilliard ..... D9/434 X
- D. 266,382 10/1982 Hutchinson ..... D8/373 X
- 1,811,033 6/1931 Spry ..... 215/100 A
- 2,685,992 8/1954 Cornell ..... 220/85 H

FIG. 1 is a top perspective view of a belt-attached can holder showing my new design;  
FIG. 2 is a bottom perspective view thereof;  
FIG. 3 is a side elevational view thereof, the broken line showing of a bucket and brush is for illustrative purposes only; and  
FIG. 4 is a front elevational view in extending position.



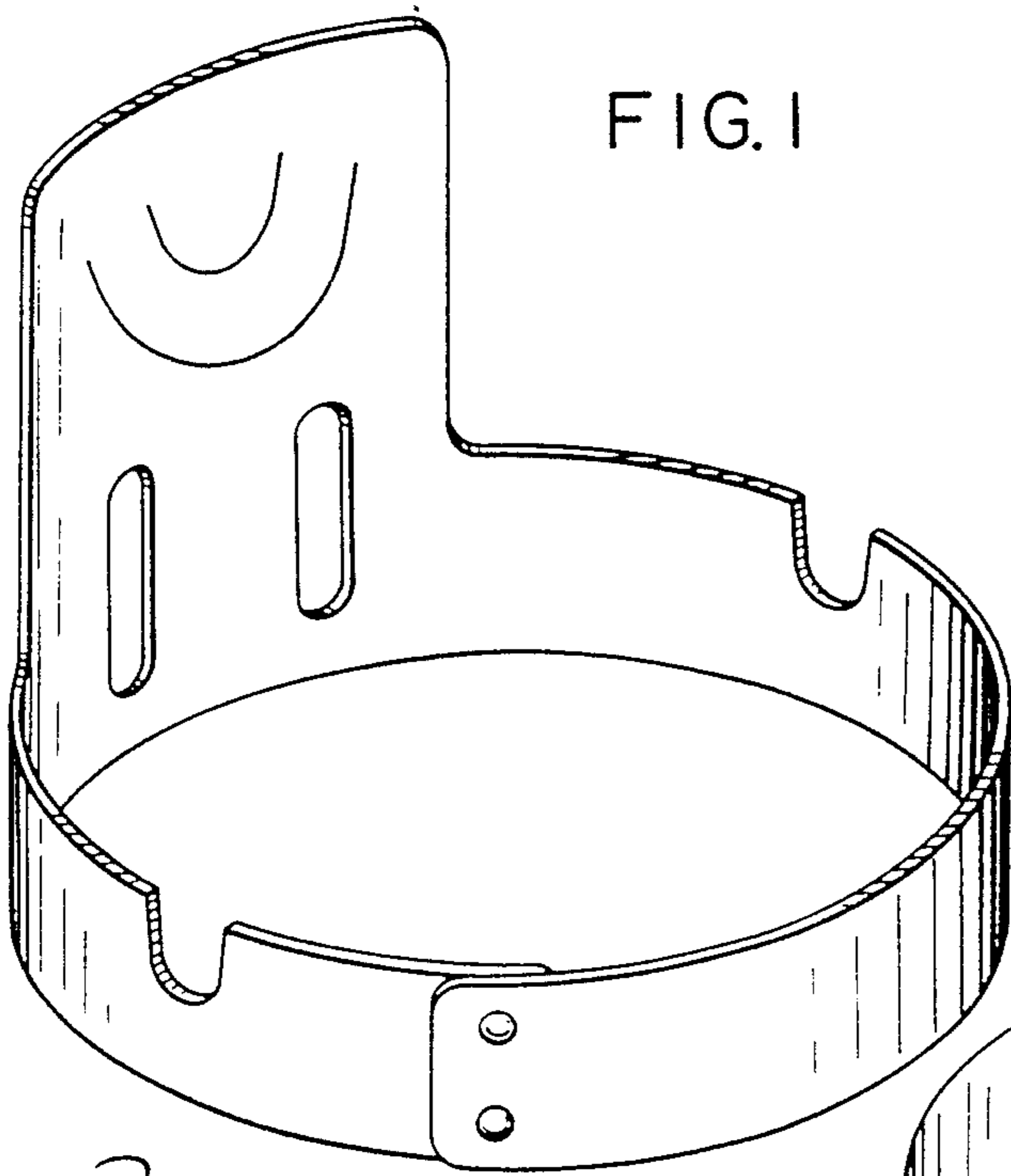


FIG. 1

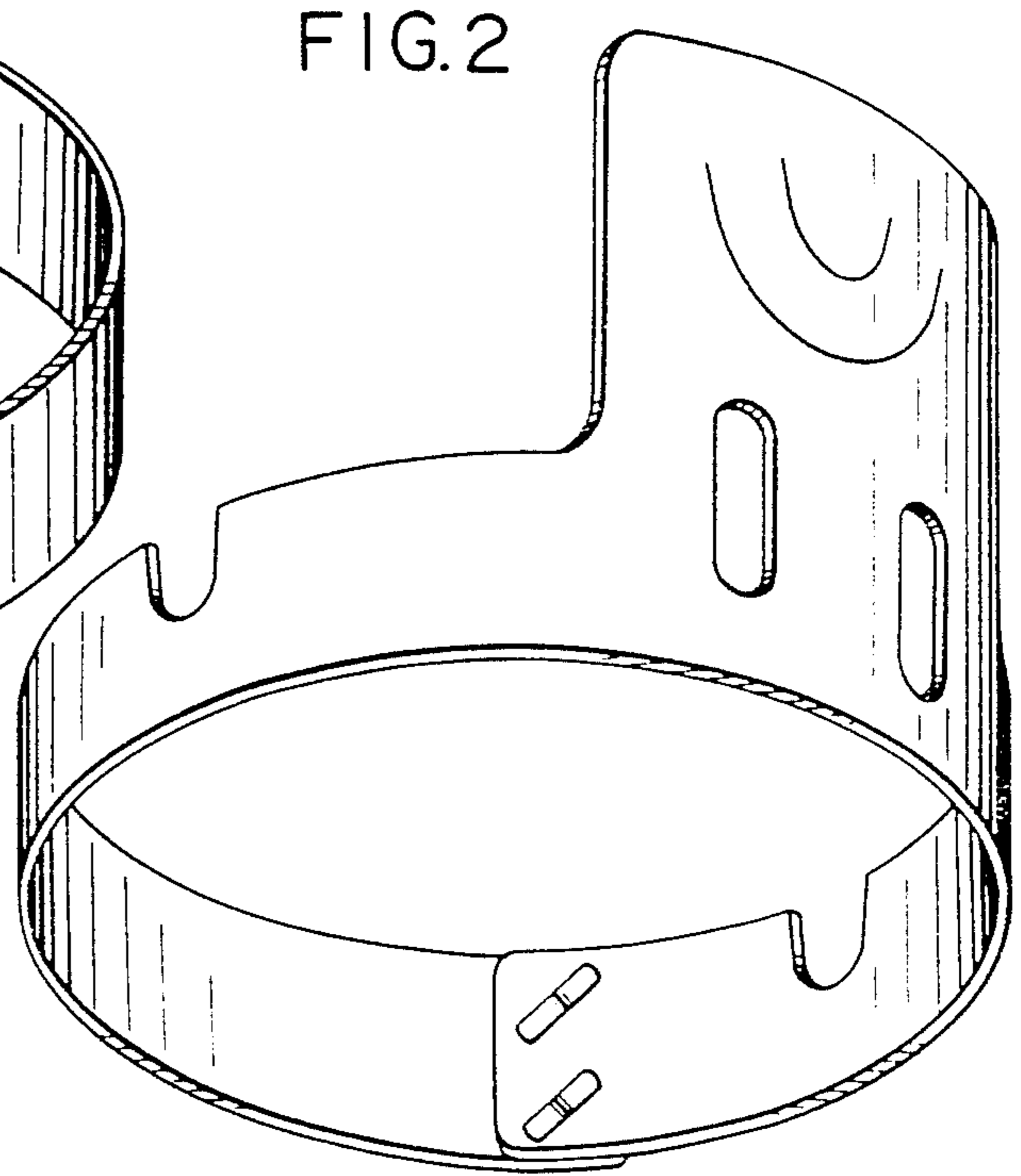


FIG. 2

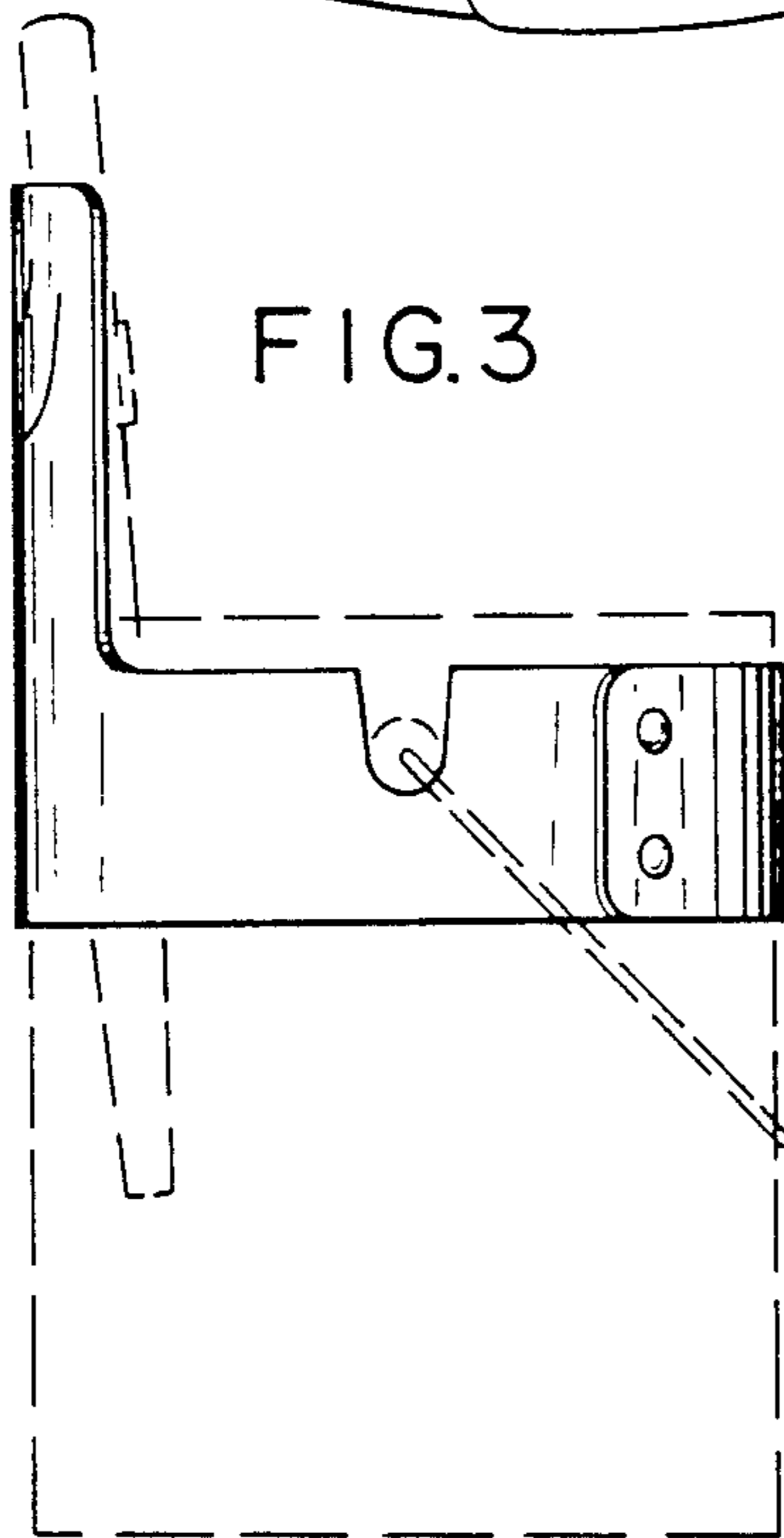


FIG. 3

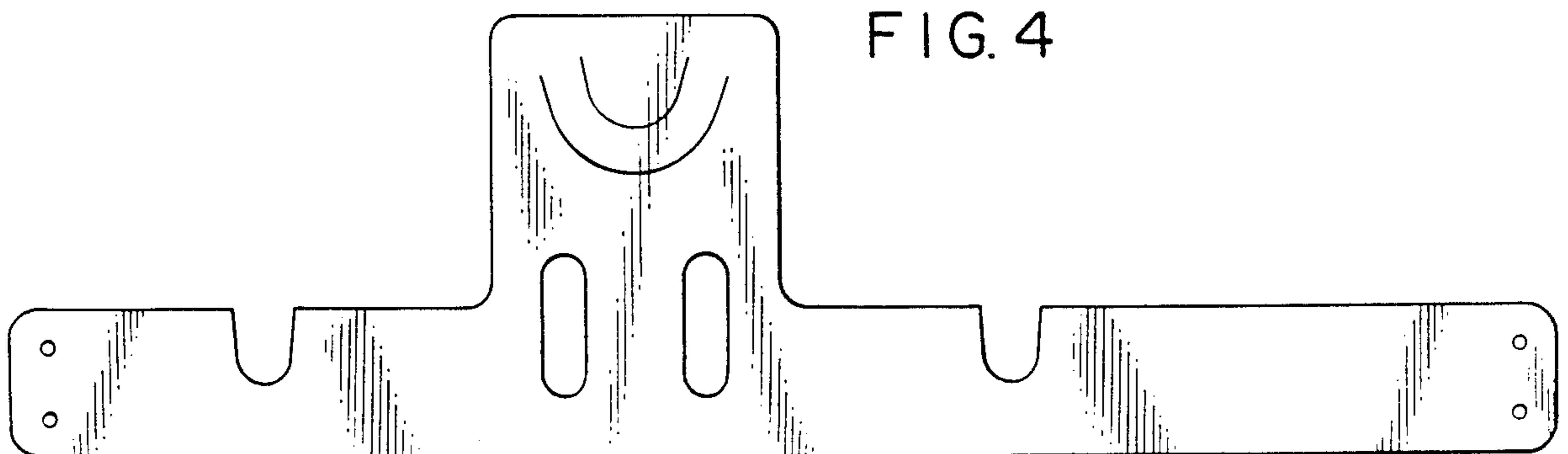


FIG. 4