

[54] MATERIAL LIFT VEHICLE BODY

[75] Inventors: John F. Krueck, Mansfield; Gregg M. Davis, Columbus, both of Ohio

[73] Assignee: Dresser Industries, Inc., Dallas, Tex.

[**] Term: 14 Years

[21] Appl. No.: 196,801

[22] Filed: Oct. 14, 1980

[52] U.S. Cl. D34/34

[58] Field of Search D15/25; D34/34; 414/680, 697, 712

[56] References Cited PUBLICATIONS

Rock Products, 1/77, p. 72, articulated wheel loader box 512, upper left side of page.

Hopper Crane brochure, front cover, Crane, center of page.

Primary Examiner—James M. Gandy Attorney, Agent, or Firm—Barry E. Deutsch

[57] CLAIM

The ornamental design for a material lift vehicle body, as shown and described.

DESCRIPTION

FIG. 1 is a perspective view of the front and one side of a material lift vehicle body showing our new design; FIG. 2 is a perspective view of the rear and opposite side thereof; FIG. 3 is a fragmentary perspective view of the rear portion thereof; FIG. 4 is a fragmentary perspective view of the operator cab and rear portion thereof; and FIG. 5 is a top plan view thereof.

The broken lines in the drawings are for illustrative purposes only.

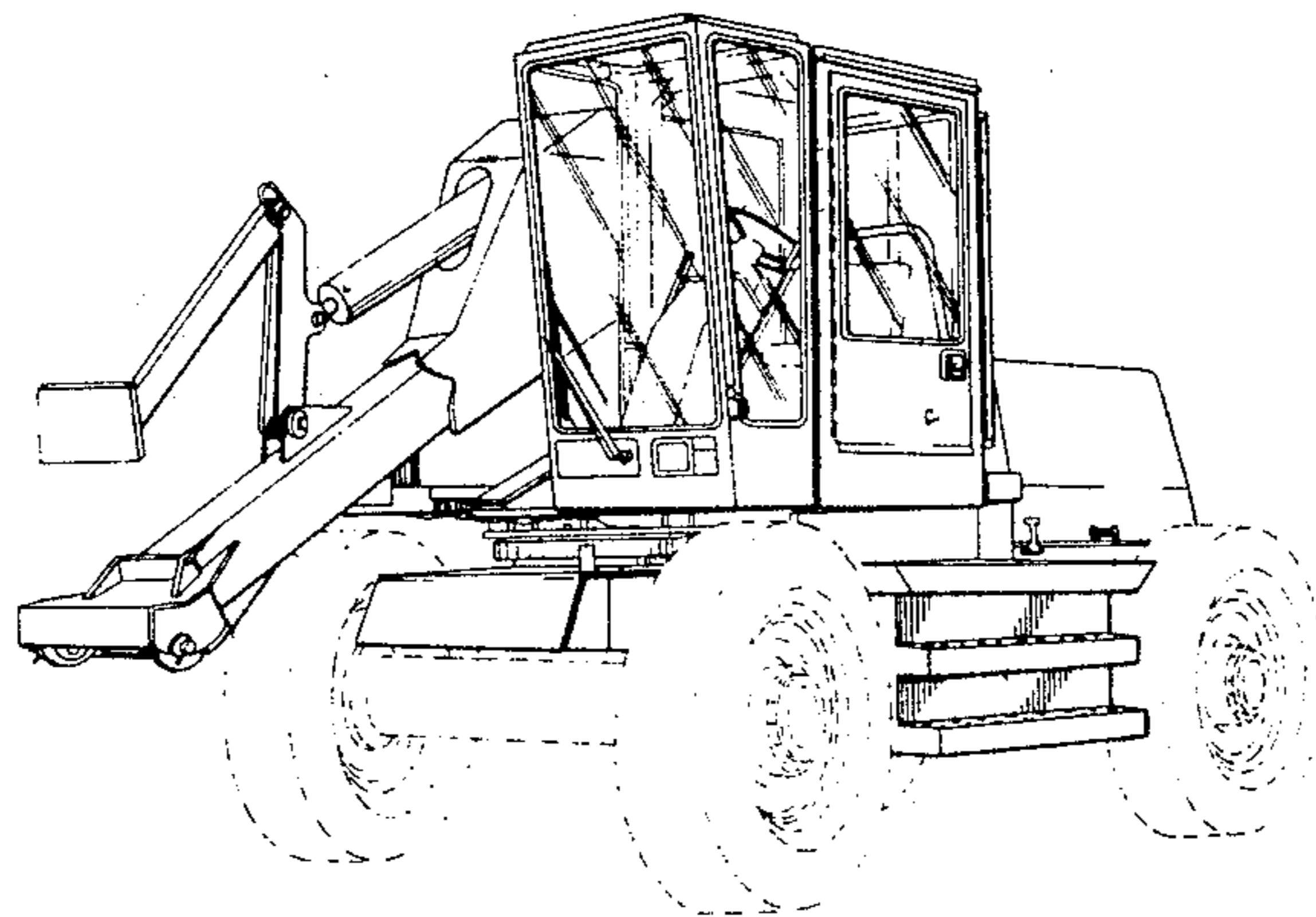
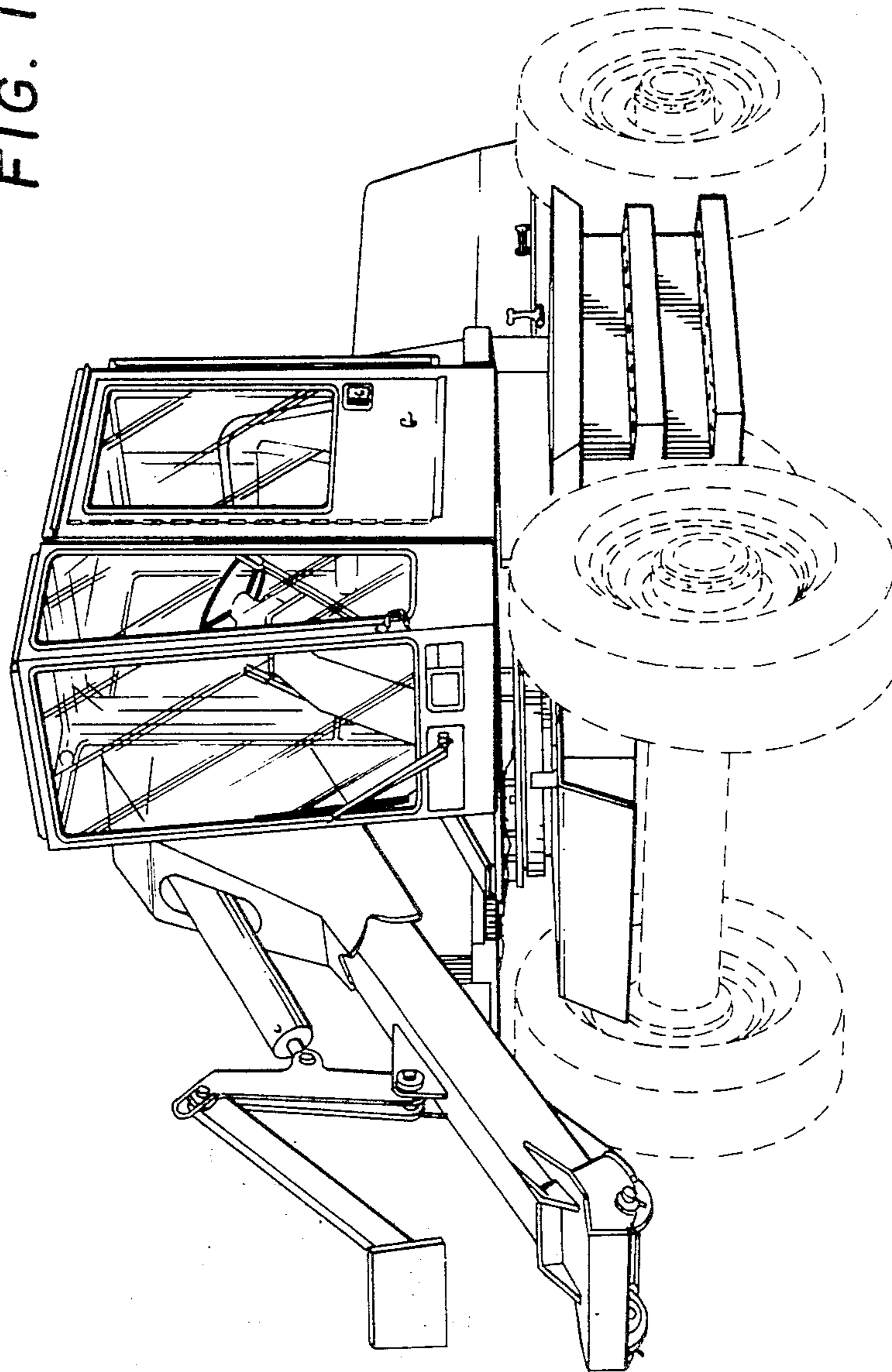


FIG. 1



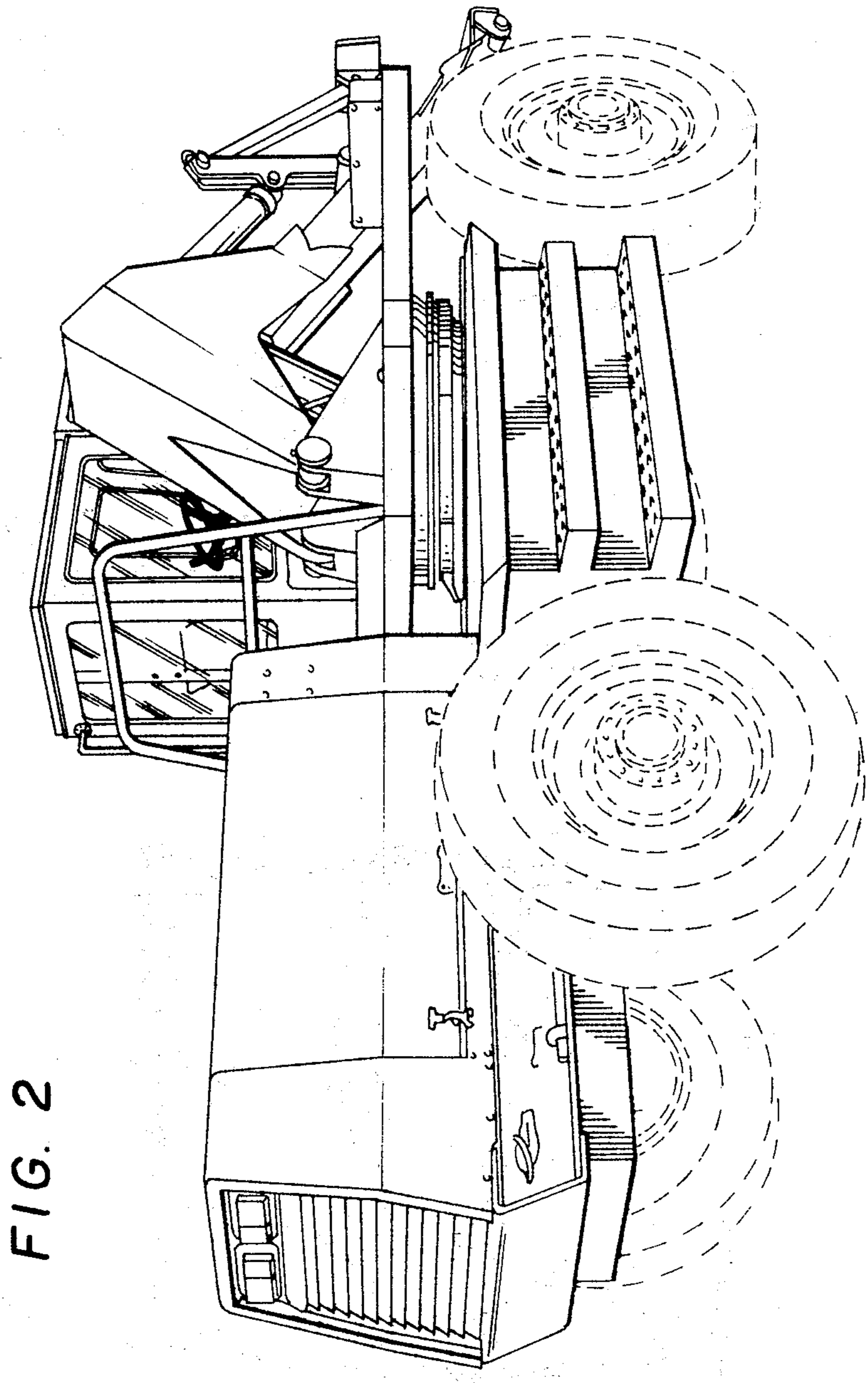


FIG. 2

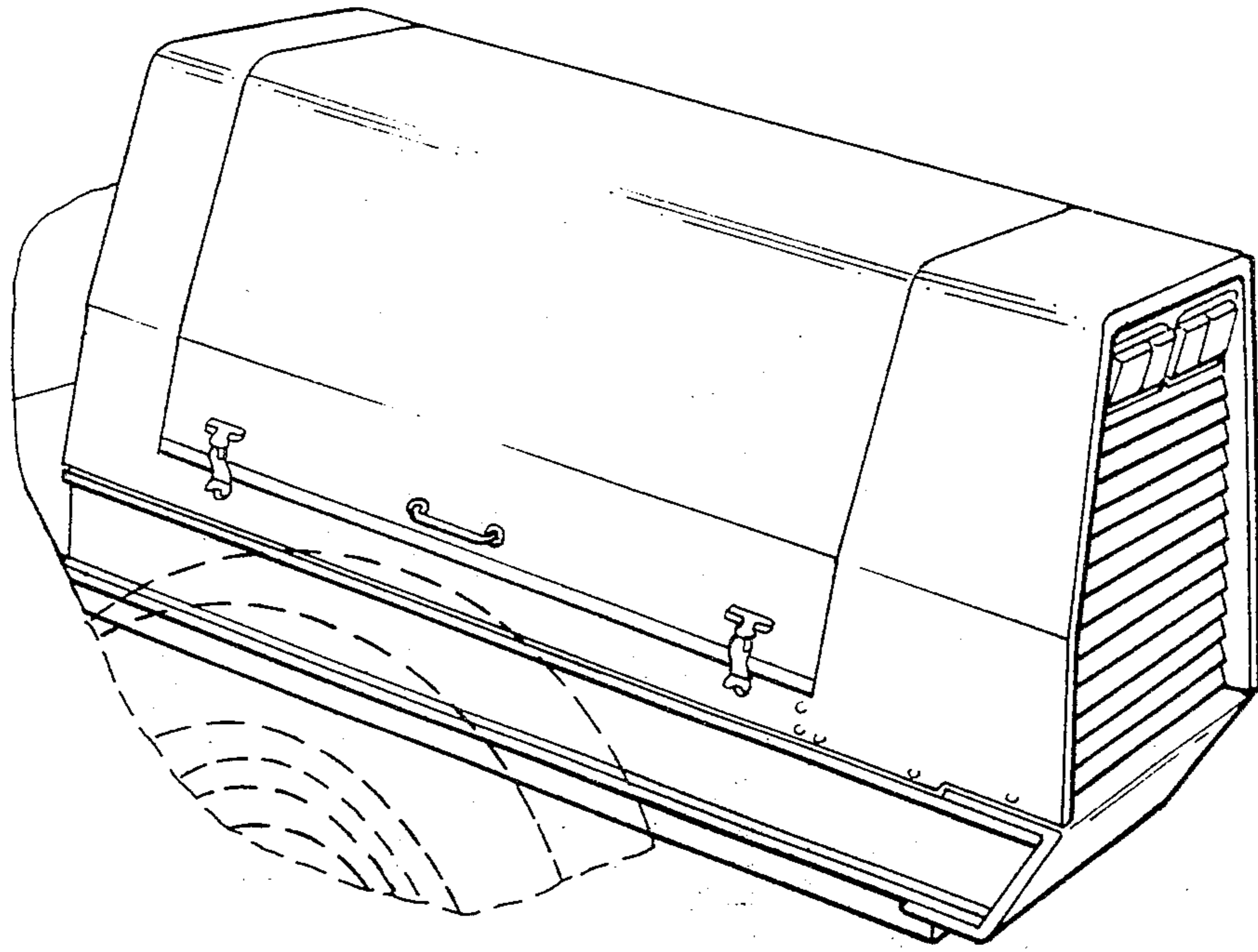


FIG. 3

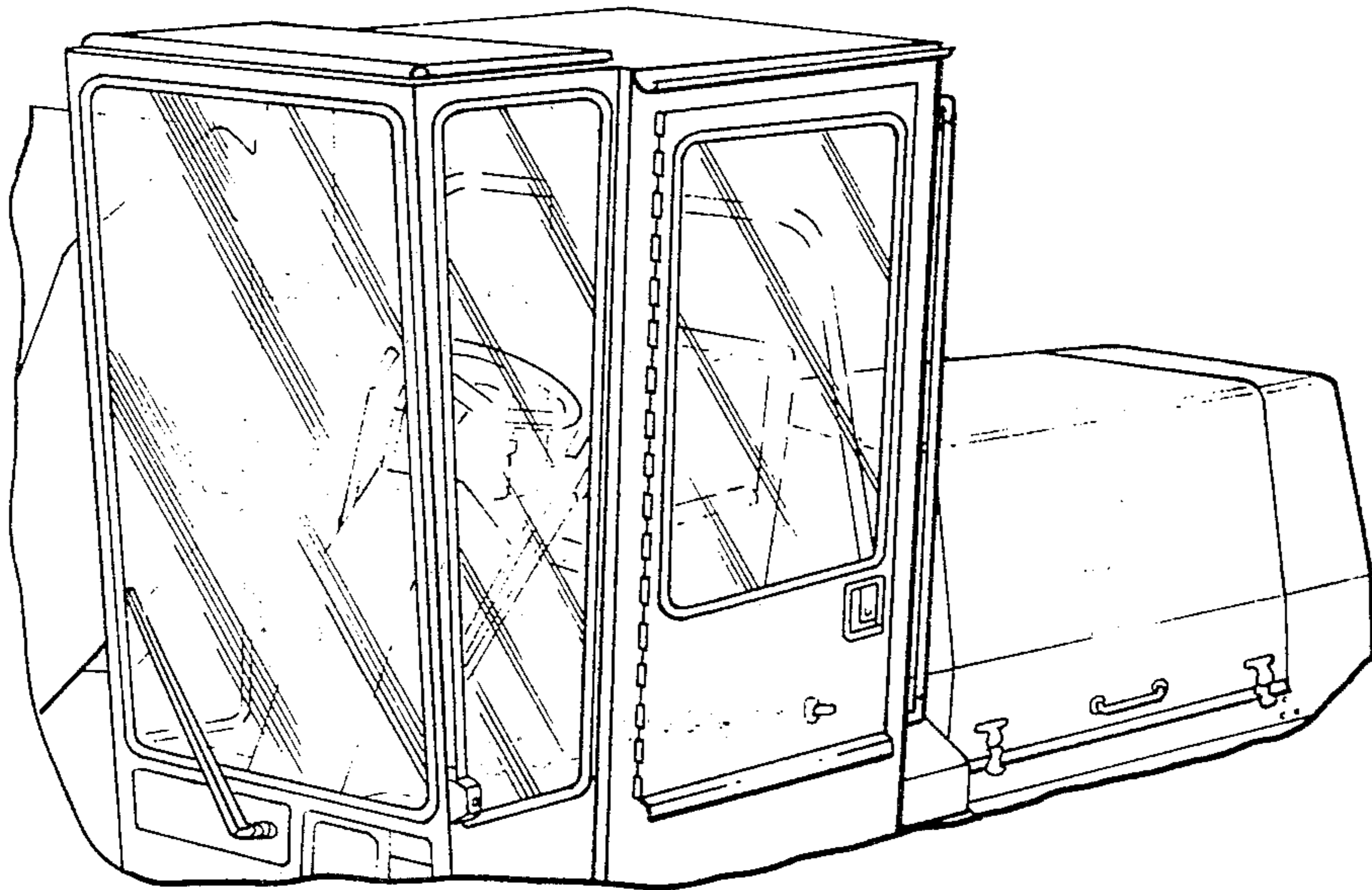


FIG. 4

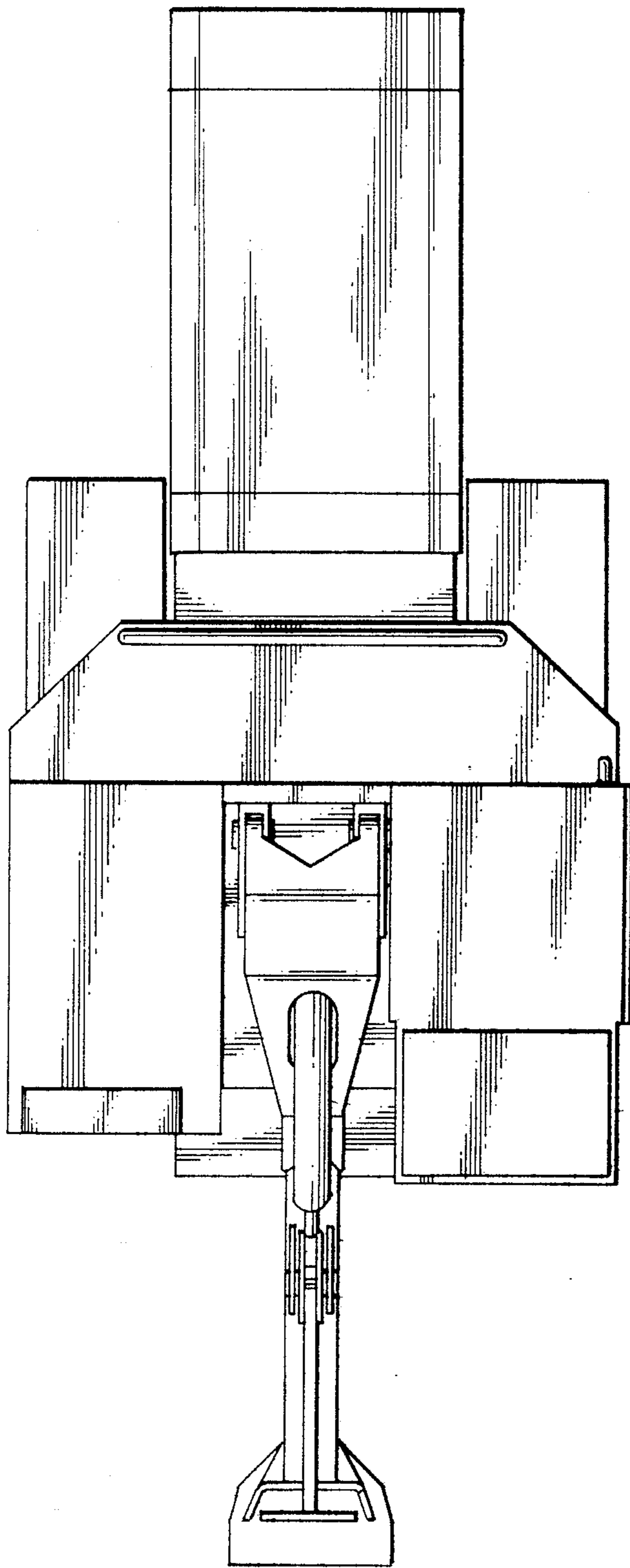


FIG. 5