

[54] CART

4,202,521 3/1980 Harding ..... 248/98

[75] Inventors: Harold O. Eads, Parkersburg, W. Va.; Ronald R. Fowler, Coolville, Ohio; Danny C. Adams, Parkersburg, W. Va.

FOREIGN PATENT DOCUMENTS

1175963 1/1970 United Kingdom ..... 248/98

[73] Assignee: O. Ames Co., Parkersburg, W. Va.

Primary Examiner—James M. Gandy  
Assistant Examiner—Kay H. Chin  
Attorney, Agent, or Firm—Cushman, Darby & Cushman

[\*\*] Term: 14 Years

[57] CLAIM

[21] Appl. No.: 432,826

The ornamental design for a cart, as shown and described.

[22] Filed: Oct. 5, 1982

DESCRIPTION

[52] U.S. Cl. .... D34/26

[58] Field of Search ..... D34/26; D12/25;

280/47.26, 47.29; 248/97, 98, 129

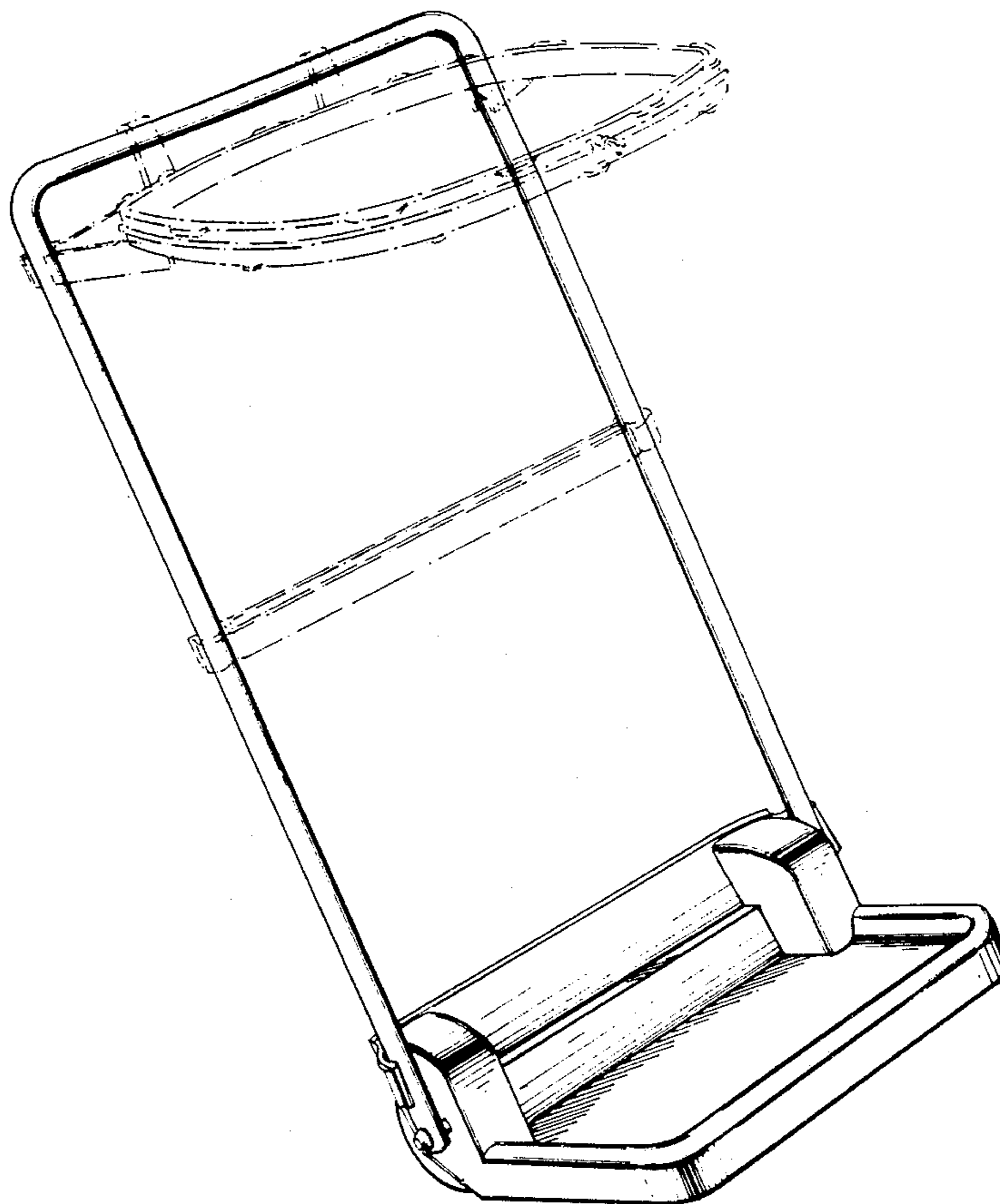
FIG. 1 is a perspective view of a cart showing our new design, looking down on the left-hand side; FIG. 2 is a front elevational view thereof; FIG. 3 is a rear elevational view thereof; FIG. 4 is a right side elevational view thereof; FIG. 5 is a top plan view thereof; FIG. 6 is a bottom plan view thereof.

[56] References Cited

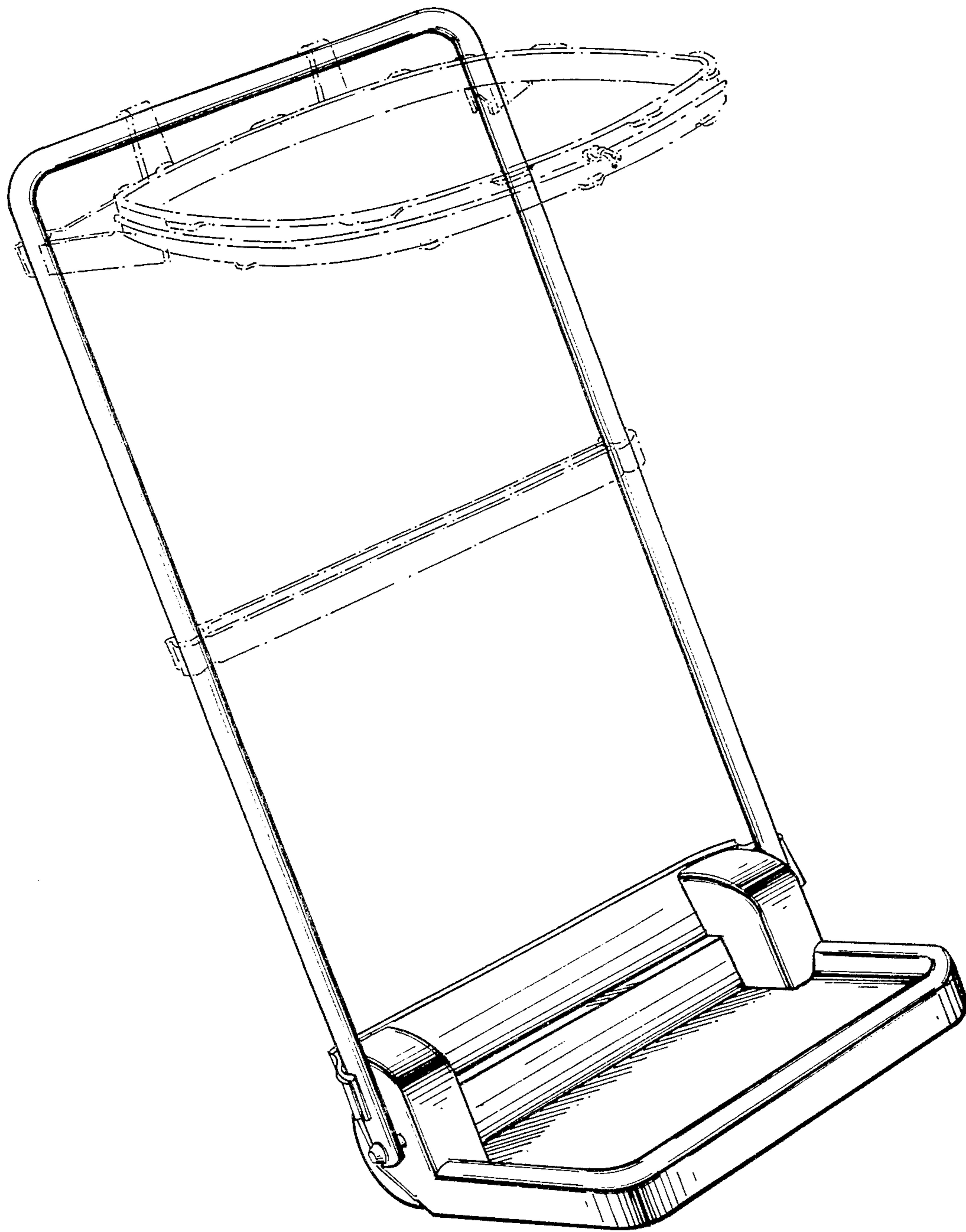
U.S. PATENT DOCUMENTS

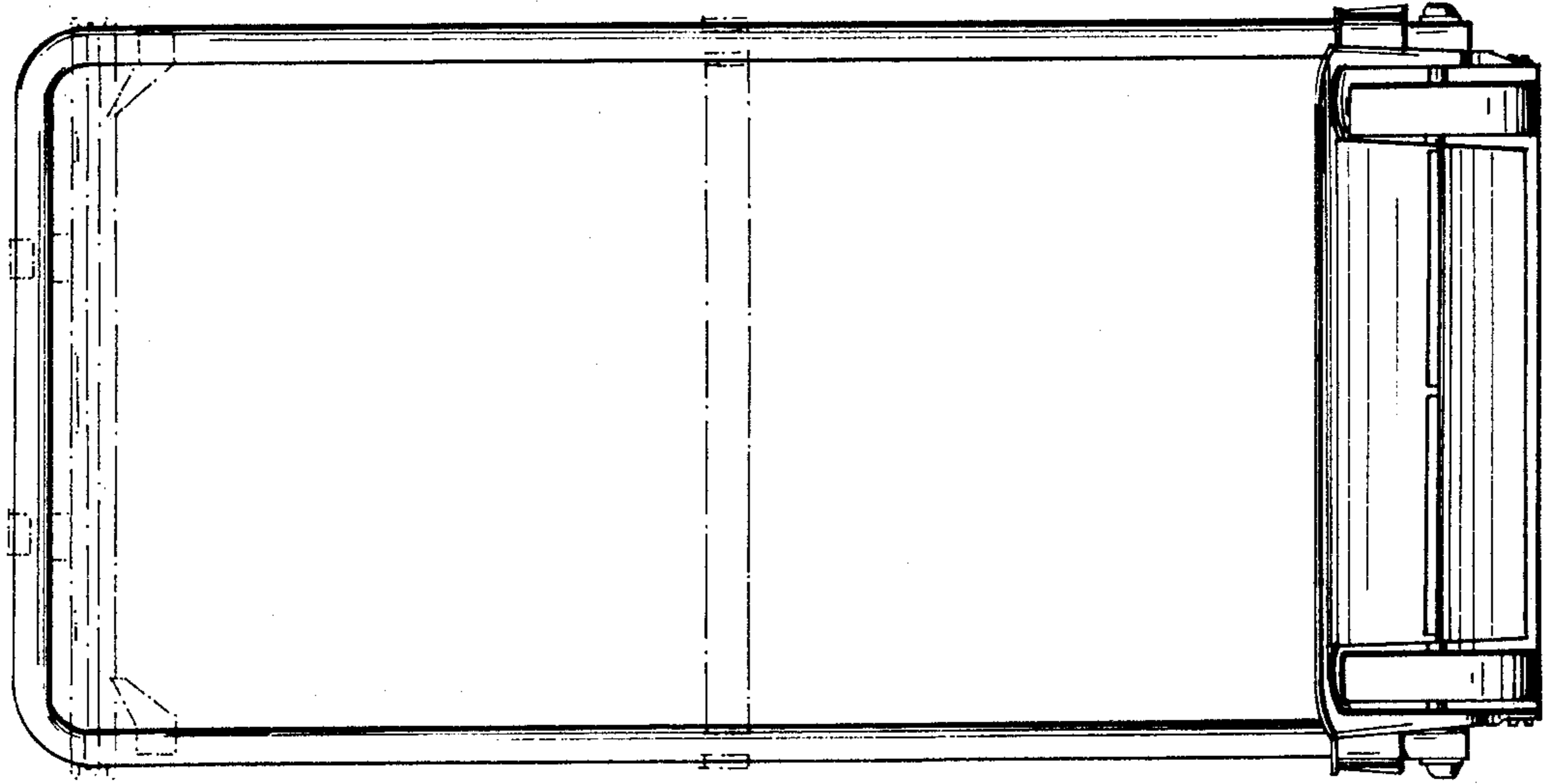
- D. 243,593 3/1977 Smith, Sr. et al. .... D34/26
- 1,718,962 2/1928 Kimball ..... 280/47.26
- 4,124,185 11/1978 Preisinger ..... 248/98

The broken lines in the drawings are for illustrative purposes only.



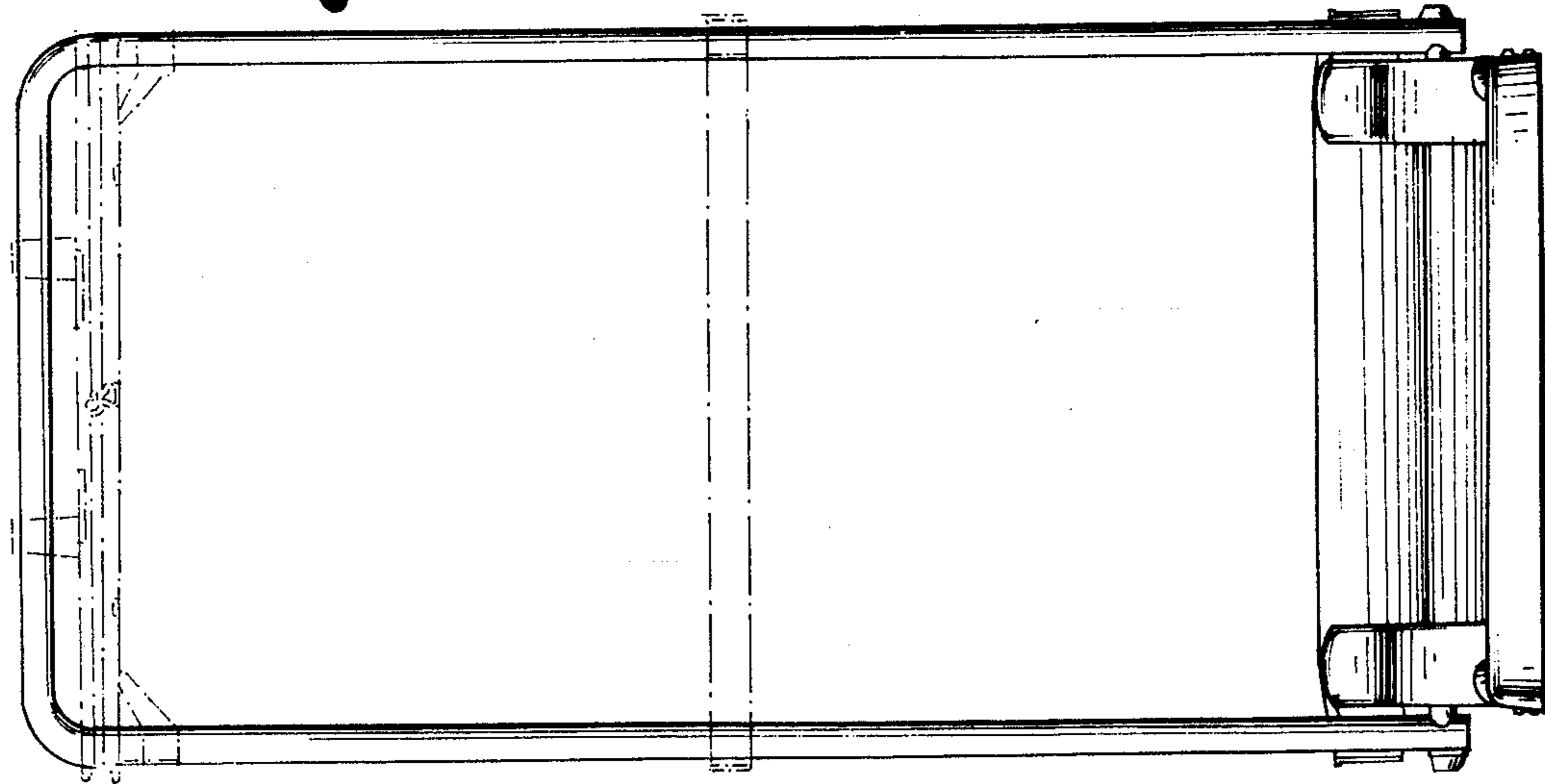
*Fig. 1*

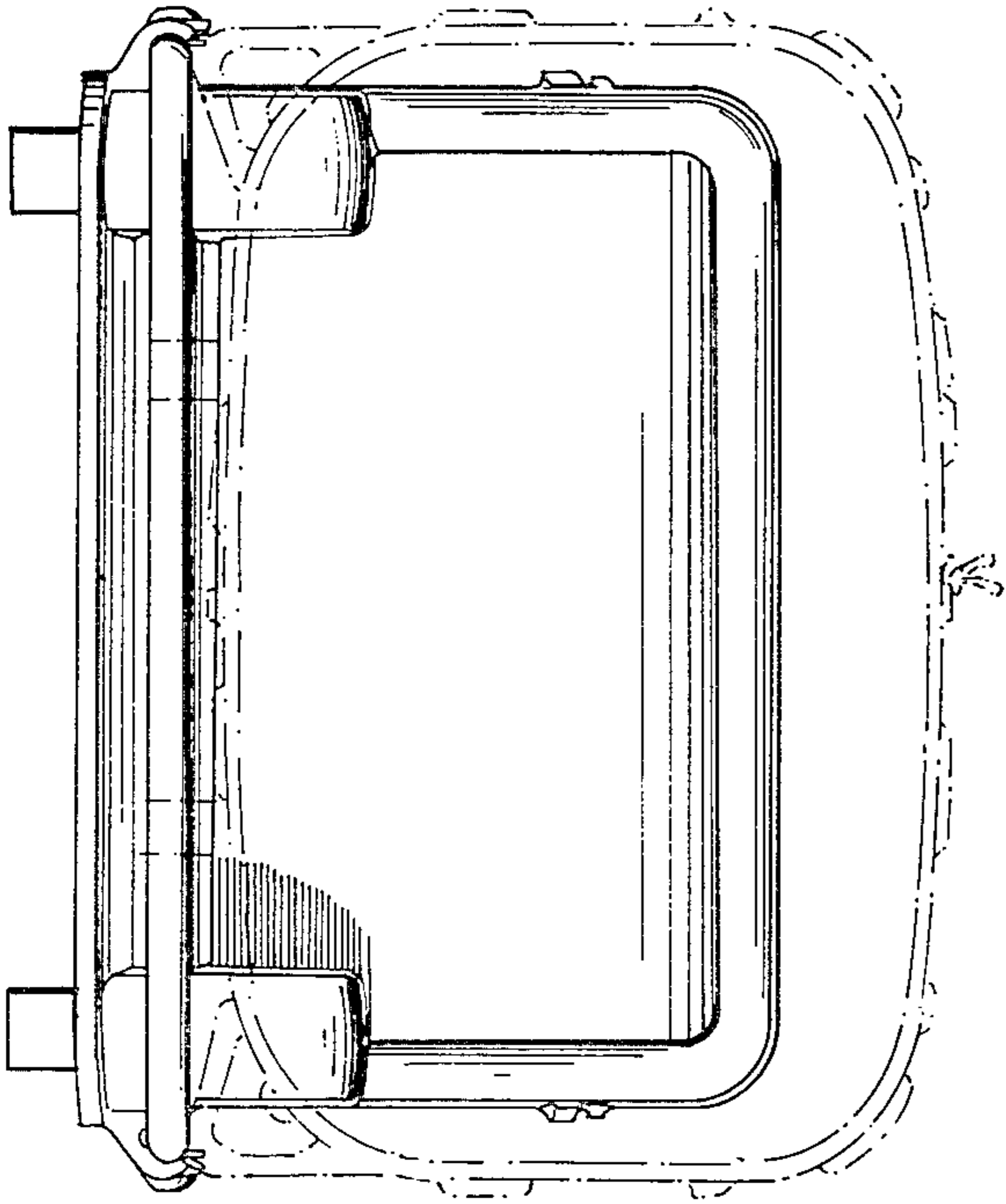




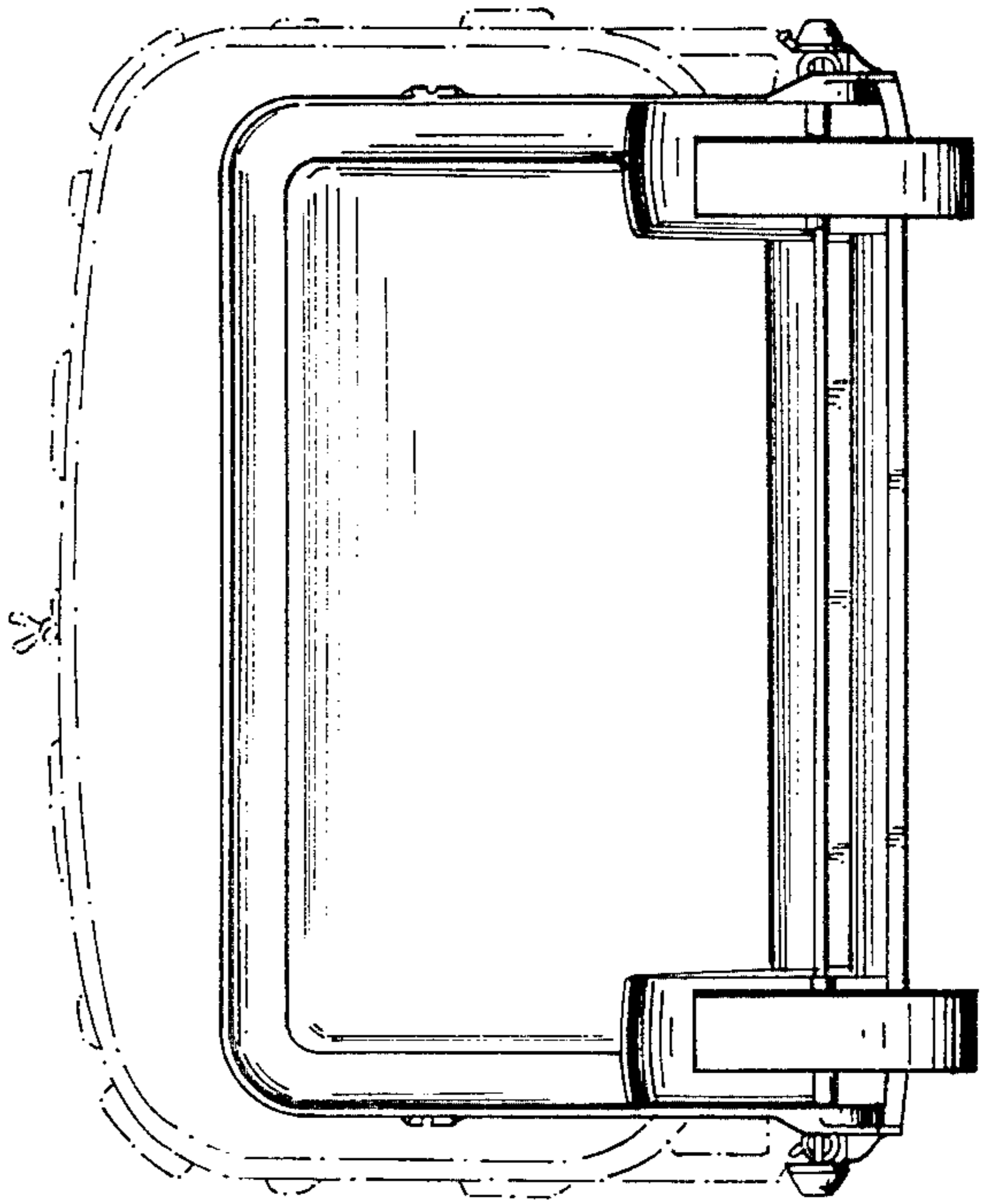
*Fig. 2*

*Fig. 3*

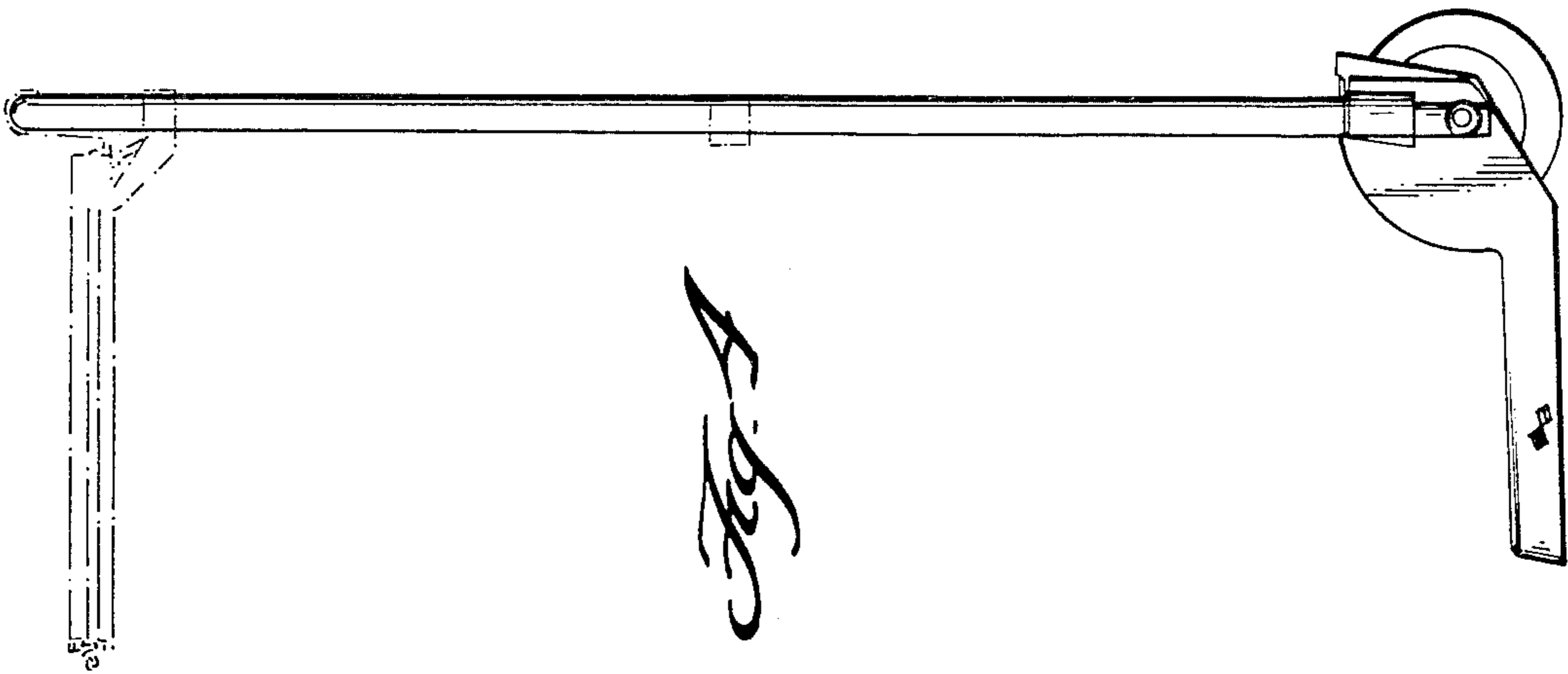




*Fig. 5*



*Fig. 6*



*Fig. 7*