

[54] COMBINED COVER FOR A TRASH CONTAINER AND ASH TRAY

[75] Inventors: Dale T. Maza, Stephenson; Larry S. Hawkins; Gary A. Dolphin, Sr., both of Winchester; Phillip A. Crim, Berryville, all of Va.

[73] Assignee: Rubbermaid Commercial Products Inc., Winchester, Va.

[**] Term: 14 Years

[21] Appl. No.: 418,821

[22] Filed: Sep. 16, 1982

[52] U.S. Cl. D34/11; D27/8; D27/10; D27/15

[58] Field of Search D34/1, 7, 8, 11; D27/10-13, 15, 27, 8; 220/1 T, 1 H; 131/231, 238, 242

[56] References Cited

U.S. PATENT DOCUMENTS

D. 268,289 3/1983 Diebold D27/10

OTHER PUBLICATIONS

Page 16, Catalog of Leaf Designs of Miami, Florida published Jun. 1, 1979.

Catalog page of Pouliot Designs Corp. of Shakapee, Minnesota published Apr. 1, 1981.

Catalog p. 43 of McDonald Products Corp., Buffalo, New York published 1981.

Primary Examiner—Catherine E. Kemper

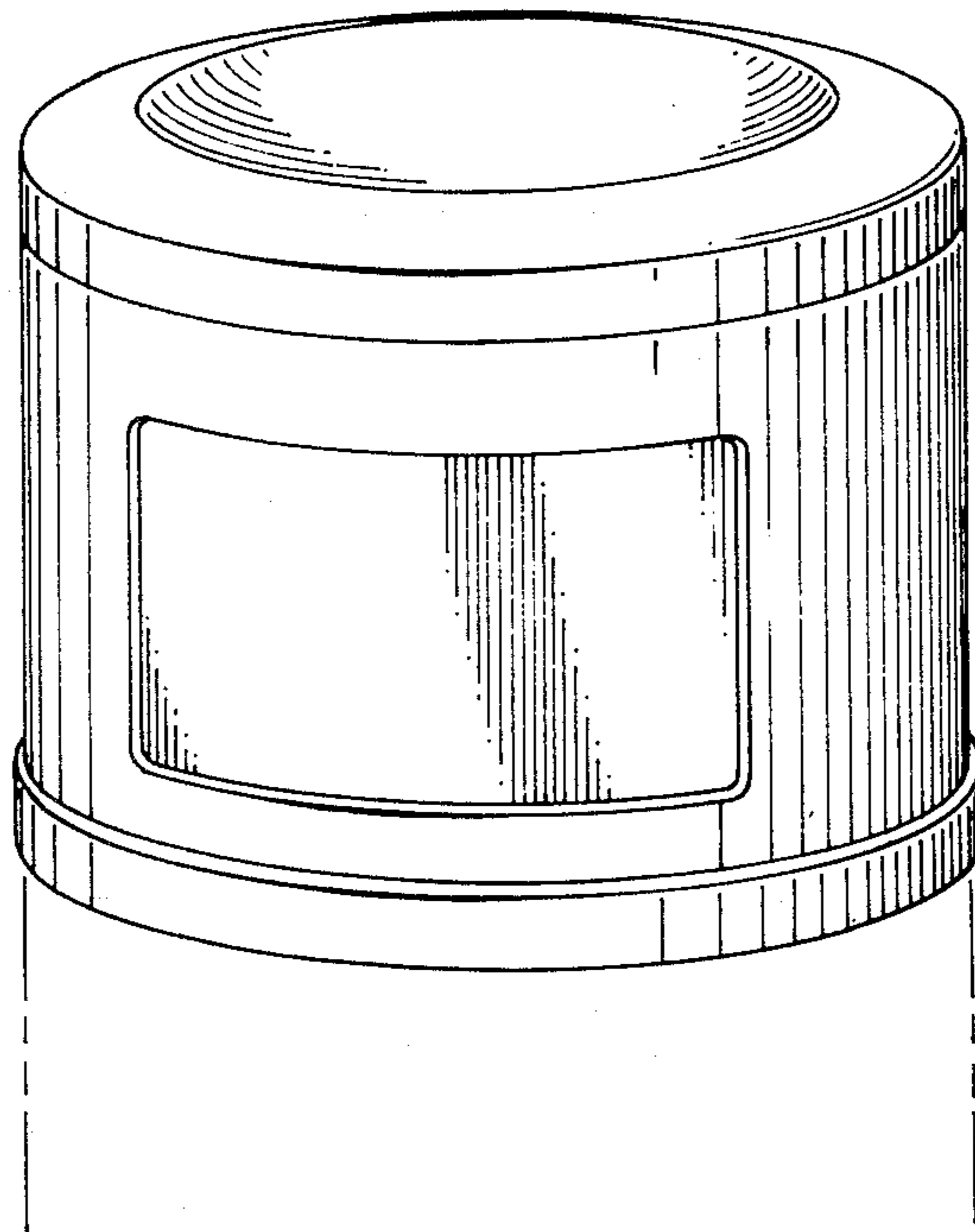
Attorney, Agent, or Firm—Renner, Kenner, Greive and Bobak

[57] CLAIM

The ornamental design for a combined cover for a trash container and ash tray, as shown and described.

DESCRIPTION

FIG. 1 is a perspective view of a combined cover for a trash container and ash tray embodying our new design. FIG. 2 is a top plan view thereof on a reduced scale.



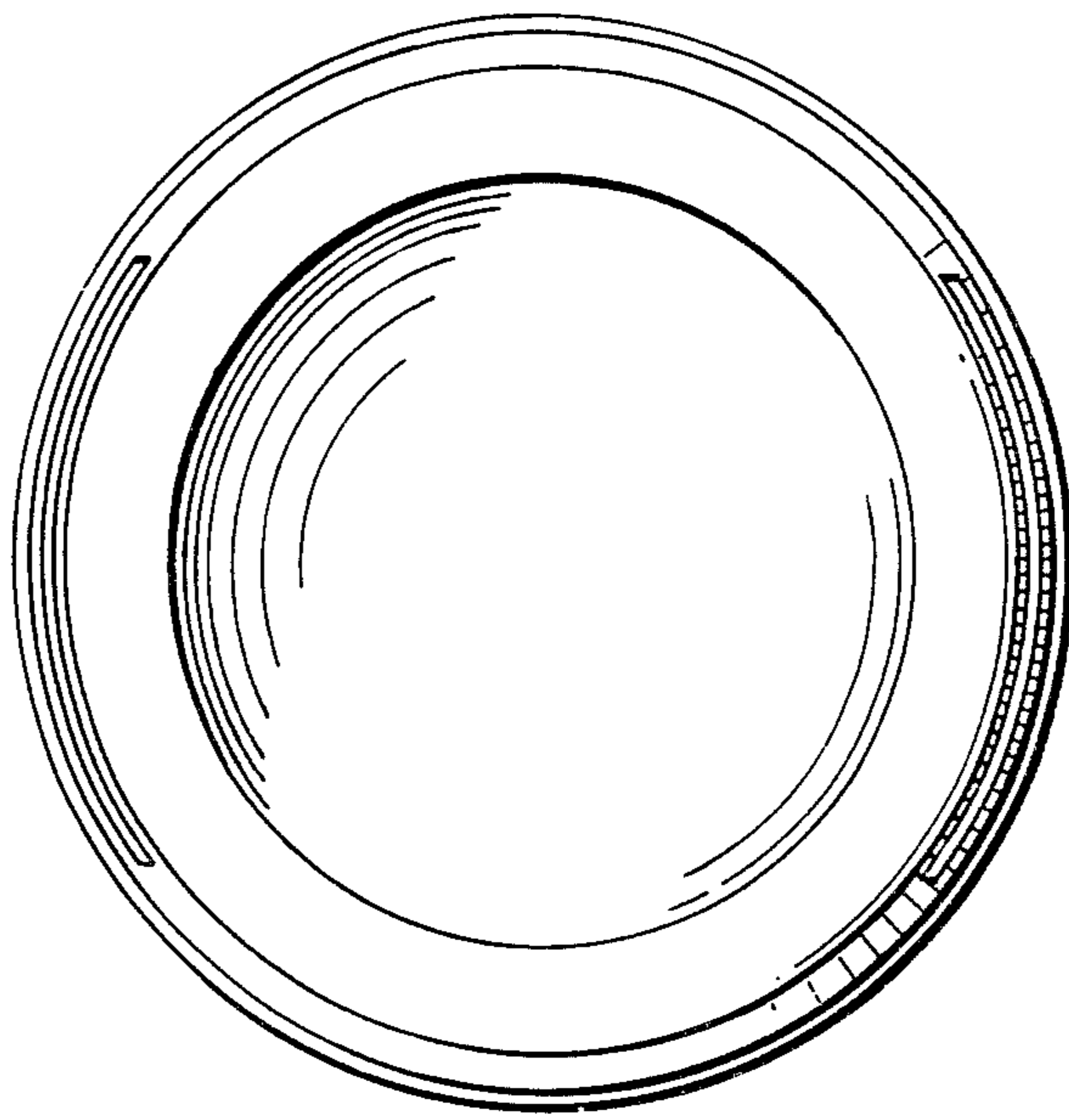


FIG. 2

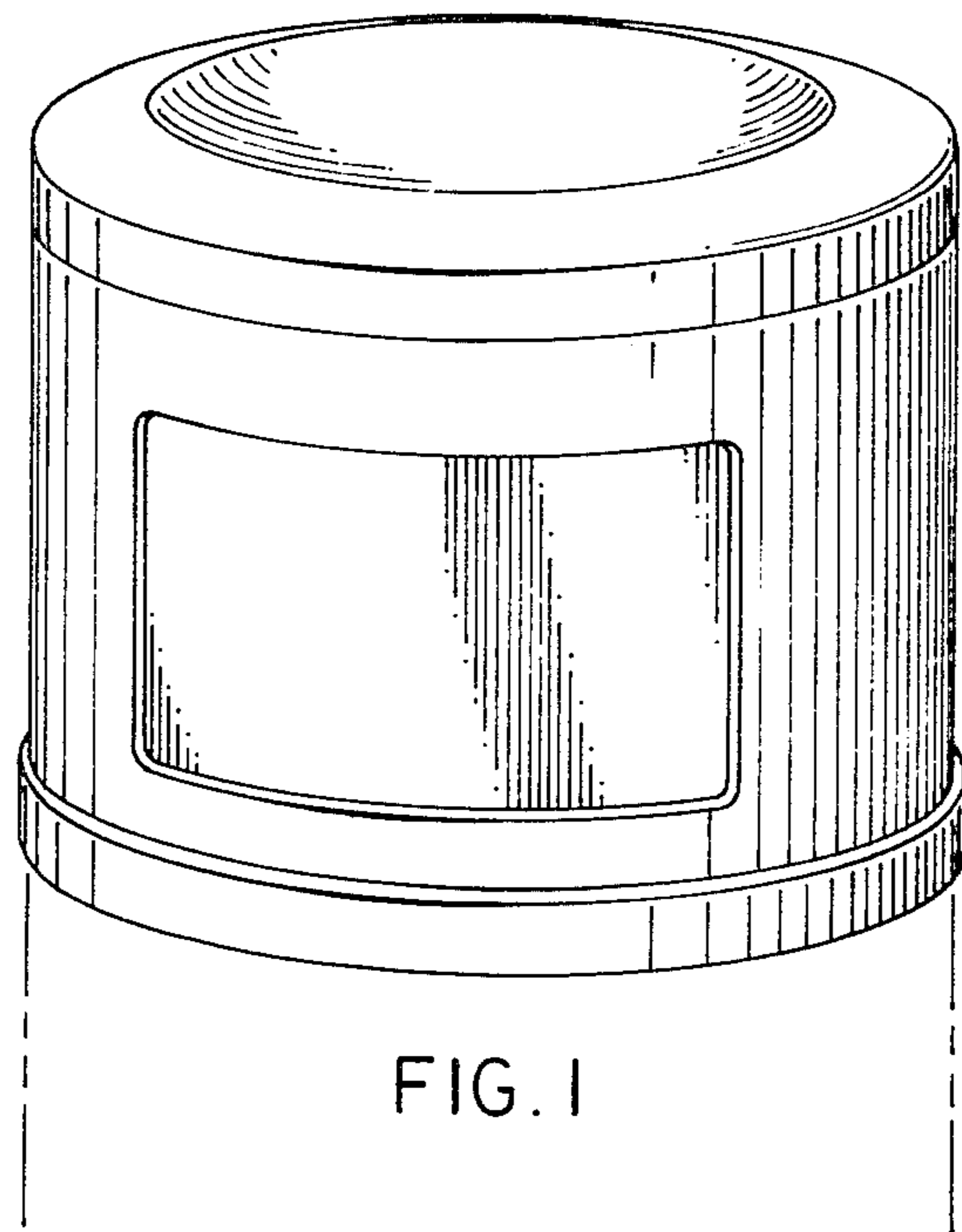


FIG. 1

UNITED STATES PATENT AND TRADEMARK OFFICE
CERTIFICATE OF CORRECTION

PATENT NO. : Des. 276,753

DATED : December 11, 1984

INVENTOR(S) : Dale T. Maza, Larry S. Hawkins, Gary A.
Dolphin, Sr. and Phillip A. Crim

It is certified that error appears in the above-identified patent and that said Letters Patent are hereby corrected as shown below:

In the Description after the paragraph beginning "Fig. 2", insert the following paragraph:

--The side not shown is identical to the side shown in Fig. 1. A portion of a trash container is shown in broken lines in Fig. 1 for illustrative purposes only and forms no part of the claimed design.--

Signed and Sealed this

Twenty-third **Day of** *April* 1985

[SEAL]

Attest:

DONALD J. QUIGG

Attesting Officer

Acting Commissioner of Patents and Trademarks