

[54] LITTER BOX FOR CATS

[76] Inventor: Sylvia J. Kinzie, 826 Jackson St., Vancouver, British Columbia, Canada, V6A 3C1

[**] Term: 14 Years

[21] Appl. No.: 369,889

[22] Filed: Apr. 19, 1982

[30] Foreign Application Priority Data

Oct. 27, 1981 [CA] Canada 27-10-81-5

[52] U.S. Cl. D30/99

[58] Field of Search D30/1-5, D30/41, 42, 99; 119/1, 19

[56] References Cited

U.S. PATENT DOCUMENTS

- D. 215,306 9/1969 Hoff D30/1
- D. 228,558 10/1973 Brickel D30/99
- D. 230,285 2/1974 Dilley D30/99
- D. 237,283 10/1975 Evans D30/1
- D. 245,190 7/1977 Higo D30/1
- D. 248,879 8/1978 Hill D30/1

- D. 250,051 10/1978 Spinks D30/99
- D. 264,261 5/1982 Durocher D30/99
- 3,496,912 2/1970 Cockrell 119/19
- 3,581,708 6/1971 Beck 119/19

OTHER PUBLICATIONS

TRIO Manufacturing Co., form 3097A.

Primary Examiner—James R. Largen
Attorney, Agent, or Firm—Carver & Co.

[57] CLAIM

The ornamental design for a litter box for cats, substantially as shown and described.

DESCRIPTION

FIG. 1 is a perspective view taken from the top, front and right side of a litter box for cats showing my new design;

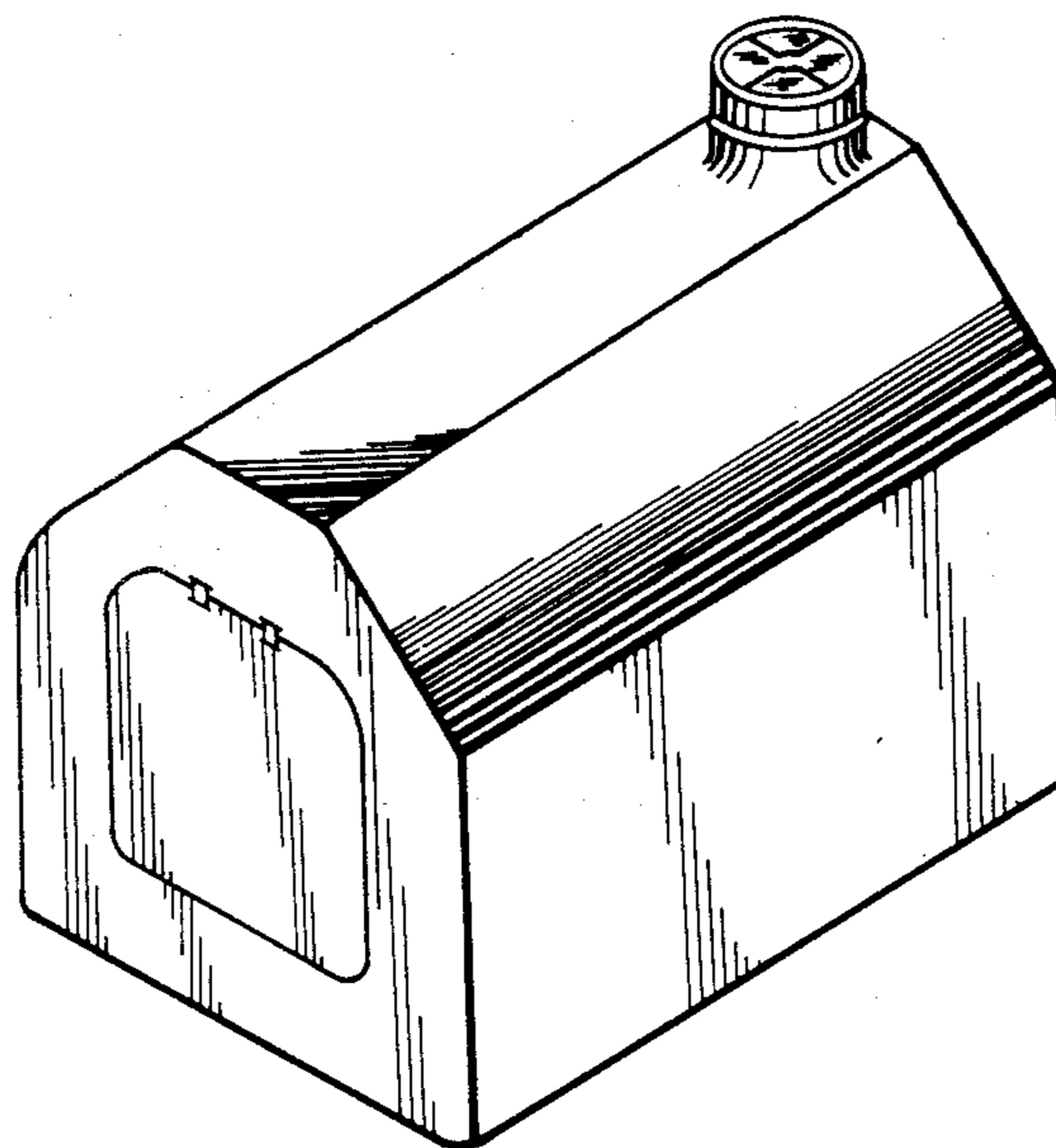
FIG. 2 is a top plan view thereof;

FIG. 3 is a bottom plan view thereof;

FIG. 4 is a right side elevational view thereof, the left side being a mirror image of the right side shown;

FIG. 5 is a front elevational view thereof; and

FIG. 6 is a rear elevational view thereof.



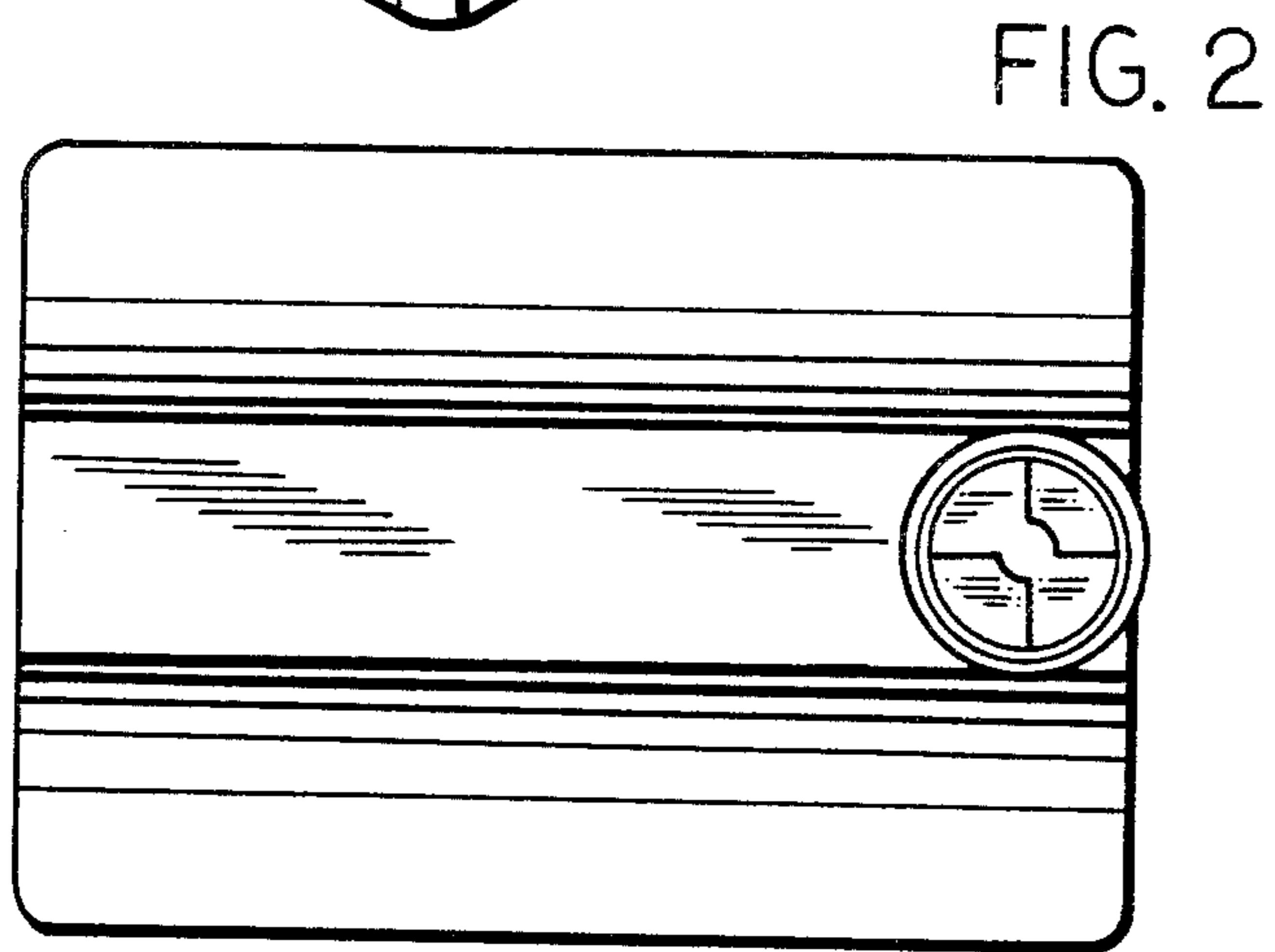
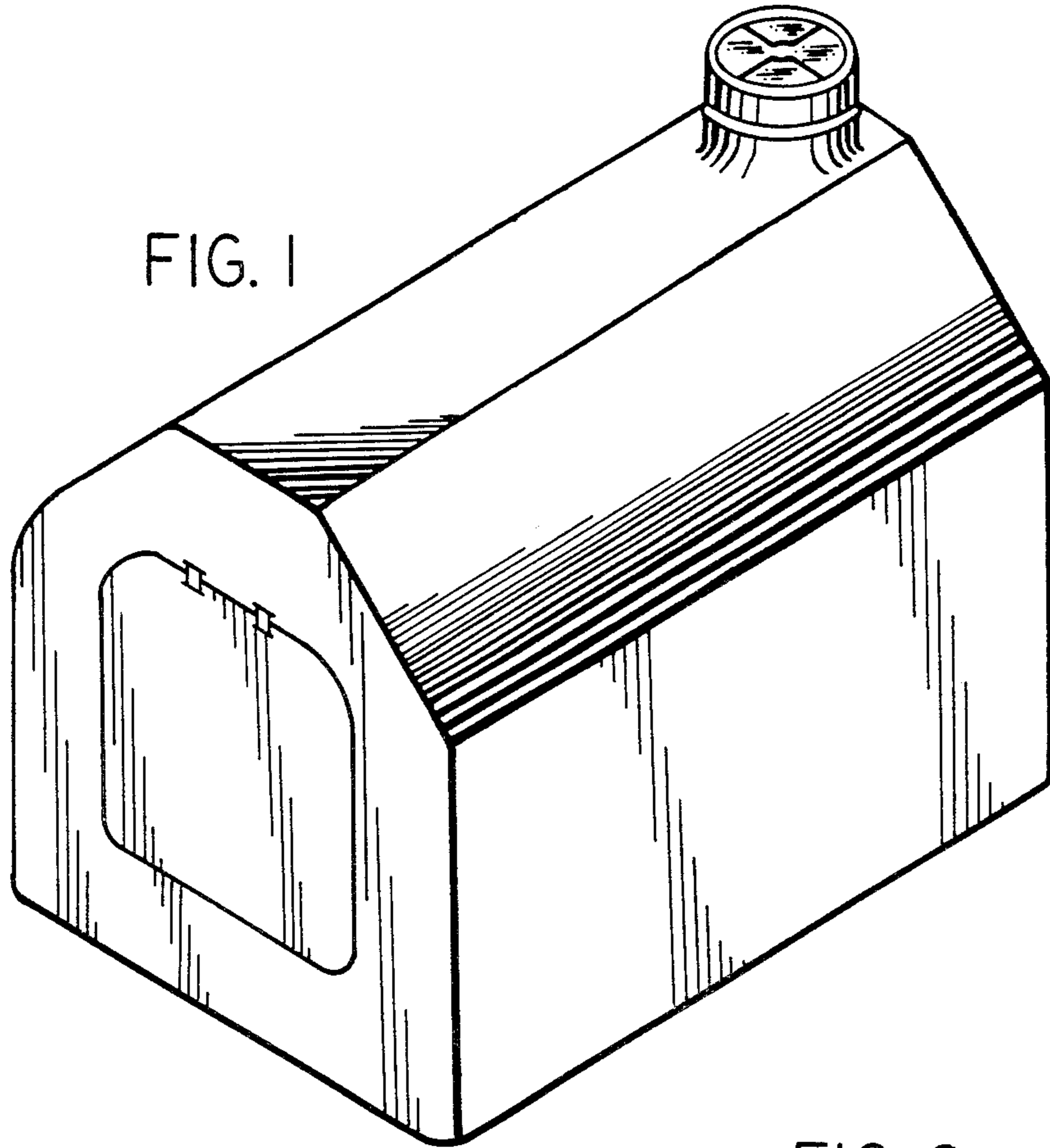


FIG. 3

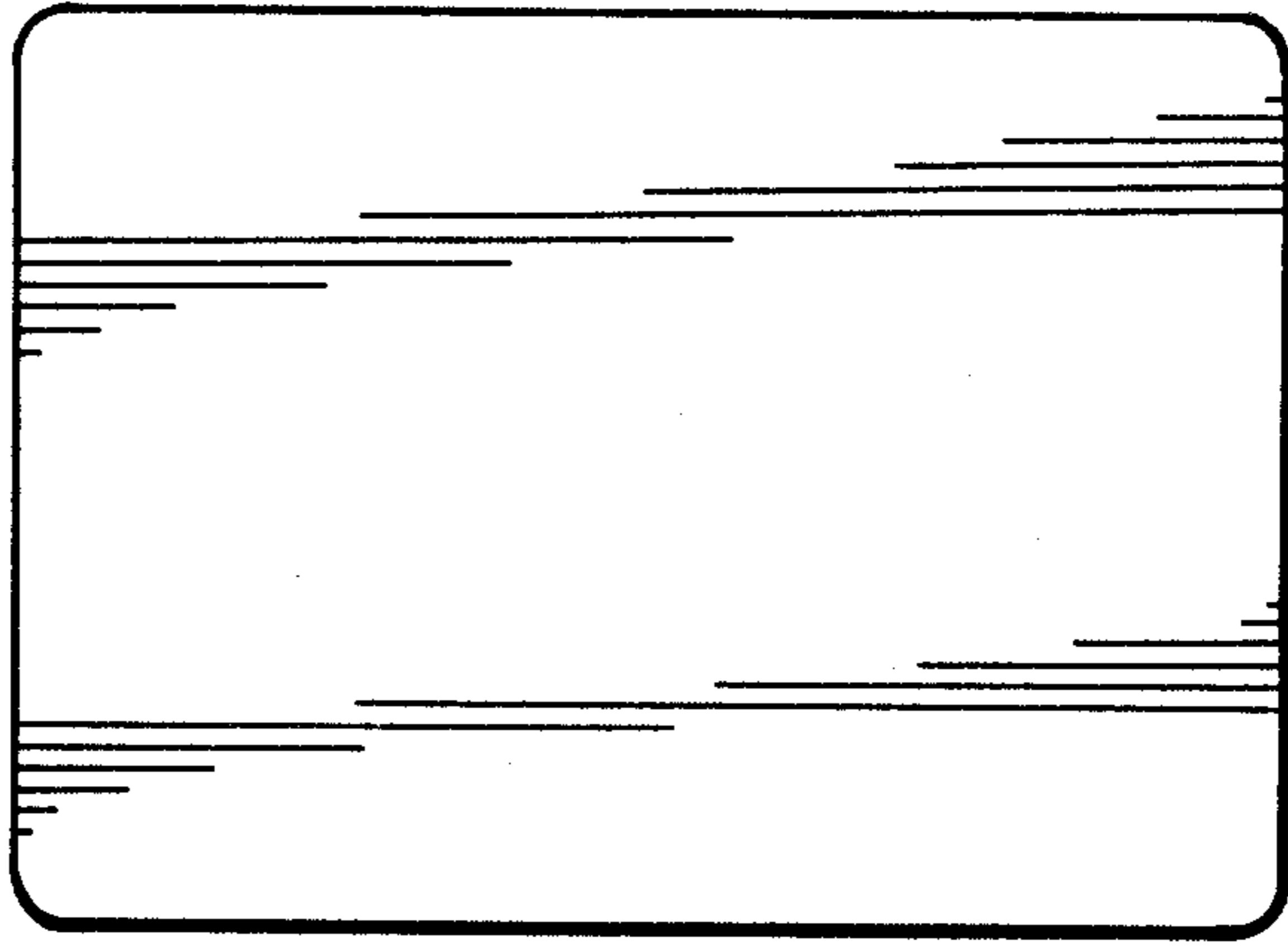
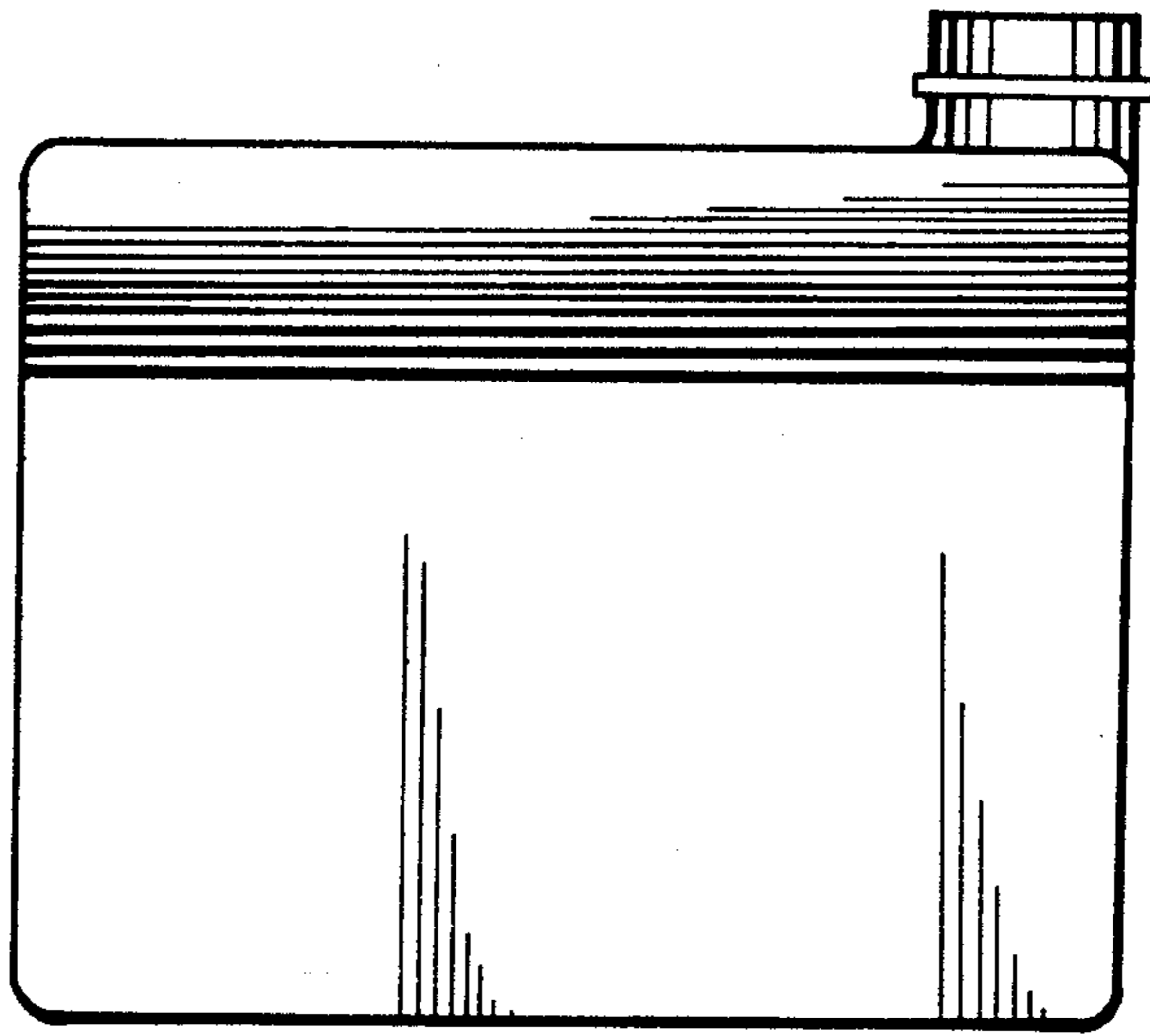


FIG. 4



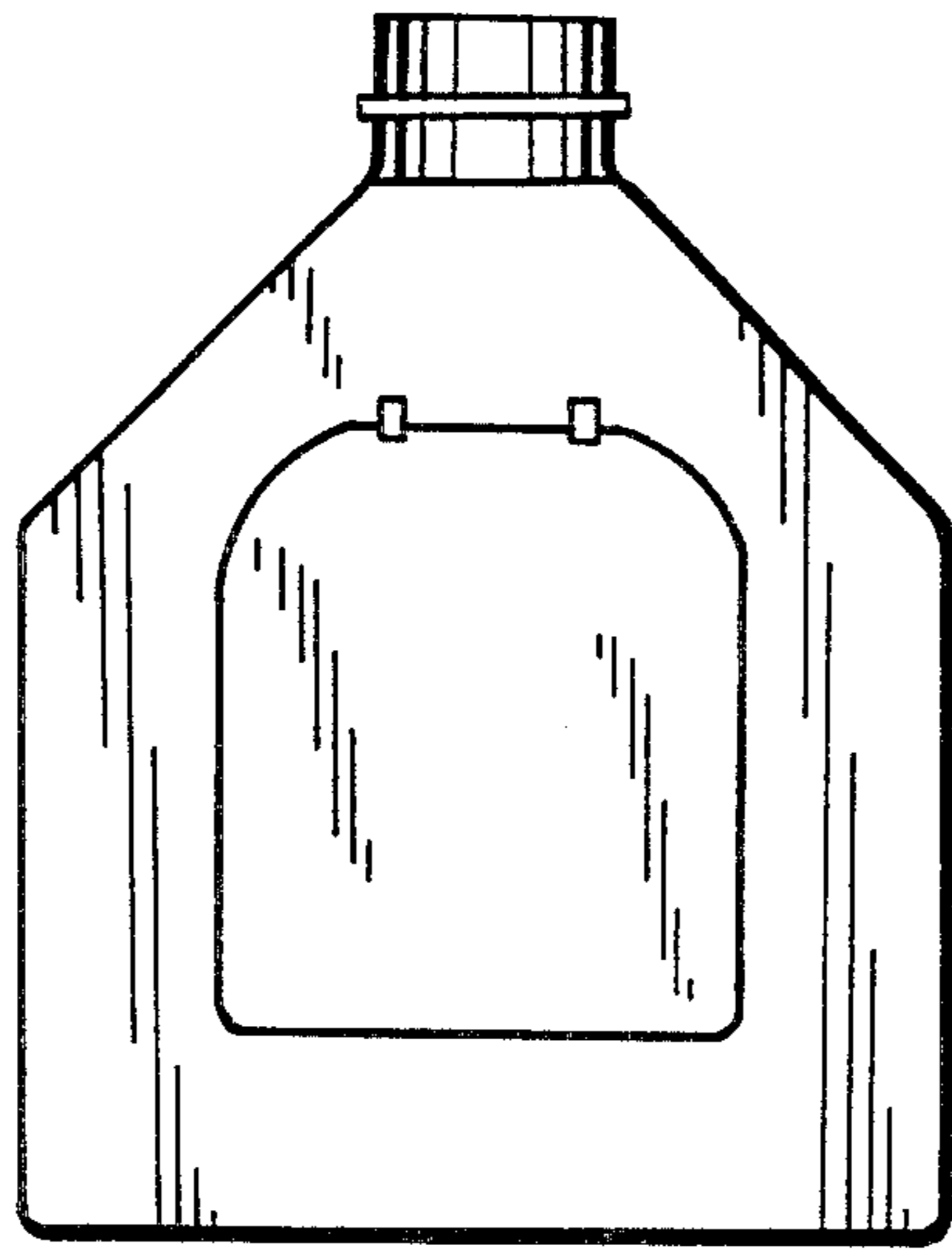


FIG. 5

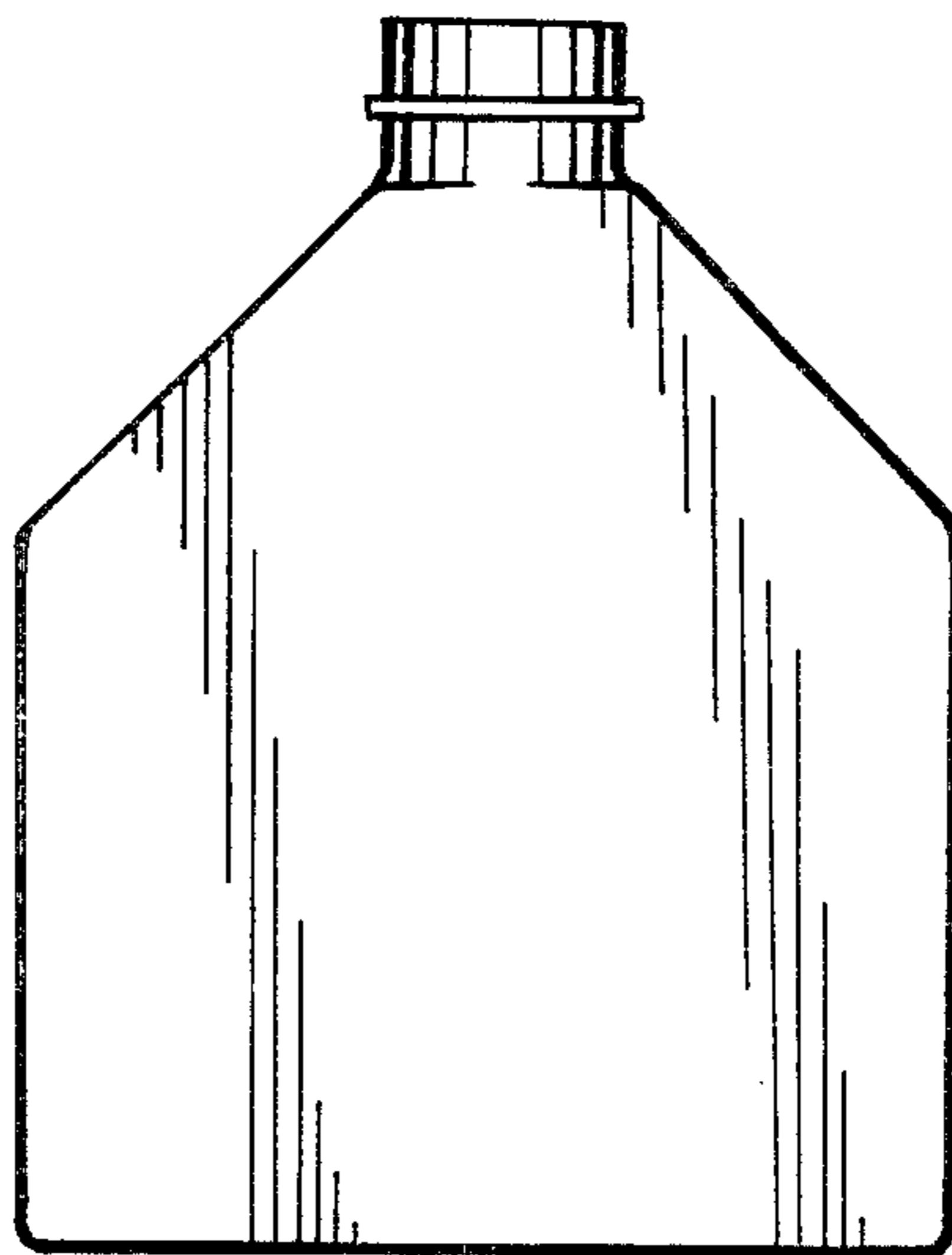


FIG. 6