

[54] LAMP FIXTURE

[76] Inventor: Bryan Beaver, 4313 Lorna, Las Vegas, Nebr.VADA 89107

[\*\*] Term: 14 Years

[21] Appl. No.: 321,693

[22] Filed: Nov. 16, 1981

[52] U.S. Cl. .... D26/73; D26/97

[58] Field of Search ..... D26/24, 73, 94; 362/806; 46/227, 228, 229

[56] References Cited

U.S. PATENT DOCUMENTS

3,432,120 3/1969 Guerrero ..... D21/86 X

OTHER PUBLICATIONS

Housewares Magazine, Jul. 1-7; 1978; Swag Lamp.

Primary Examiner—Susan J. Lucas  
Attorney, Agent, or Firm—Jay M. Cantor

[57] CLAIM

The ornamental design for a lamp fixture, as shown and described.

DESCRIPTION

FIG. 1 is a perspective view of a lamp fixture showing my new design;

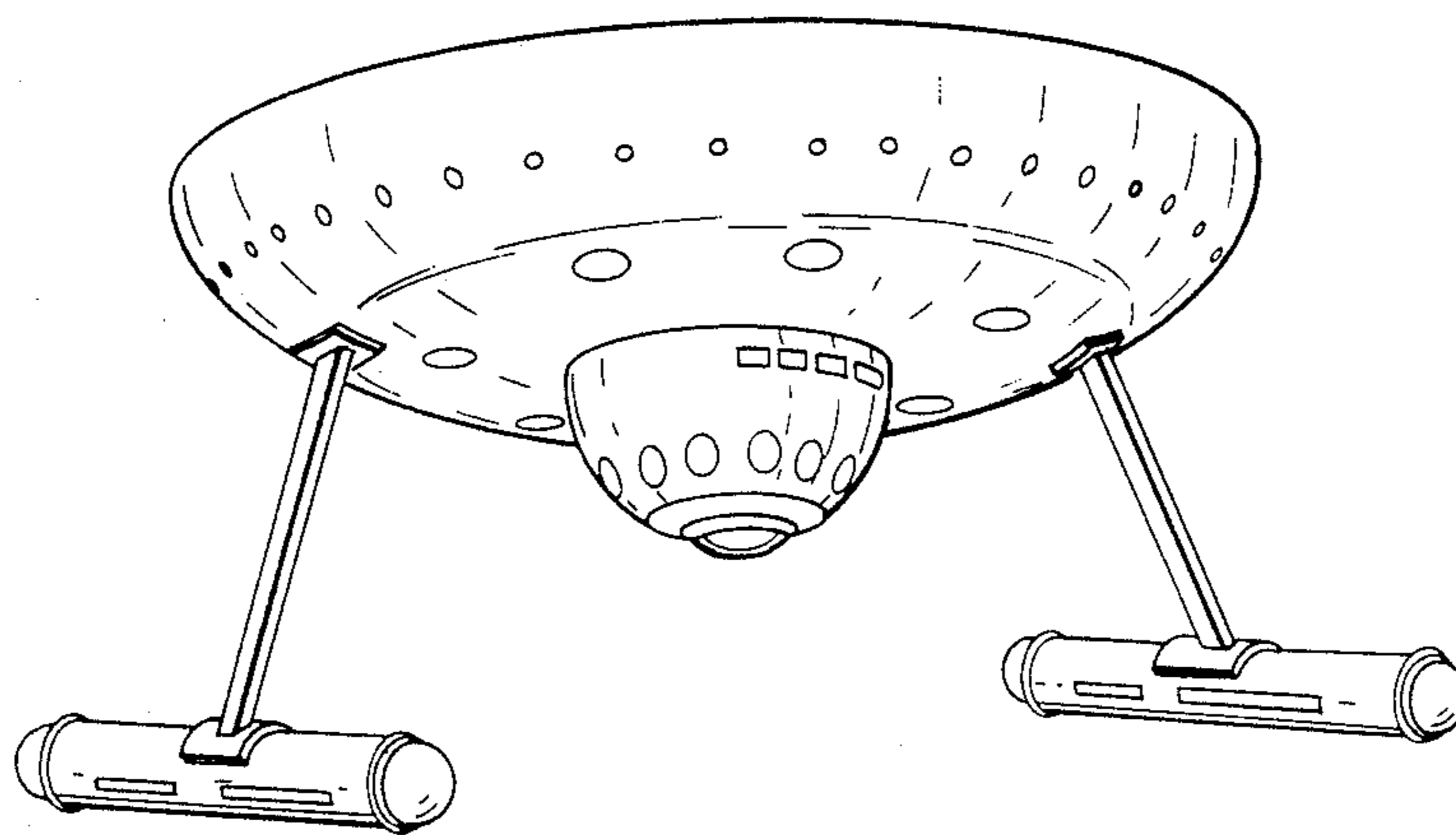
FIG. 2 is a bottom plan view thereof;

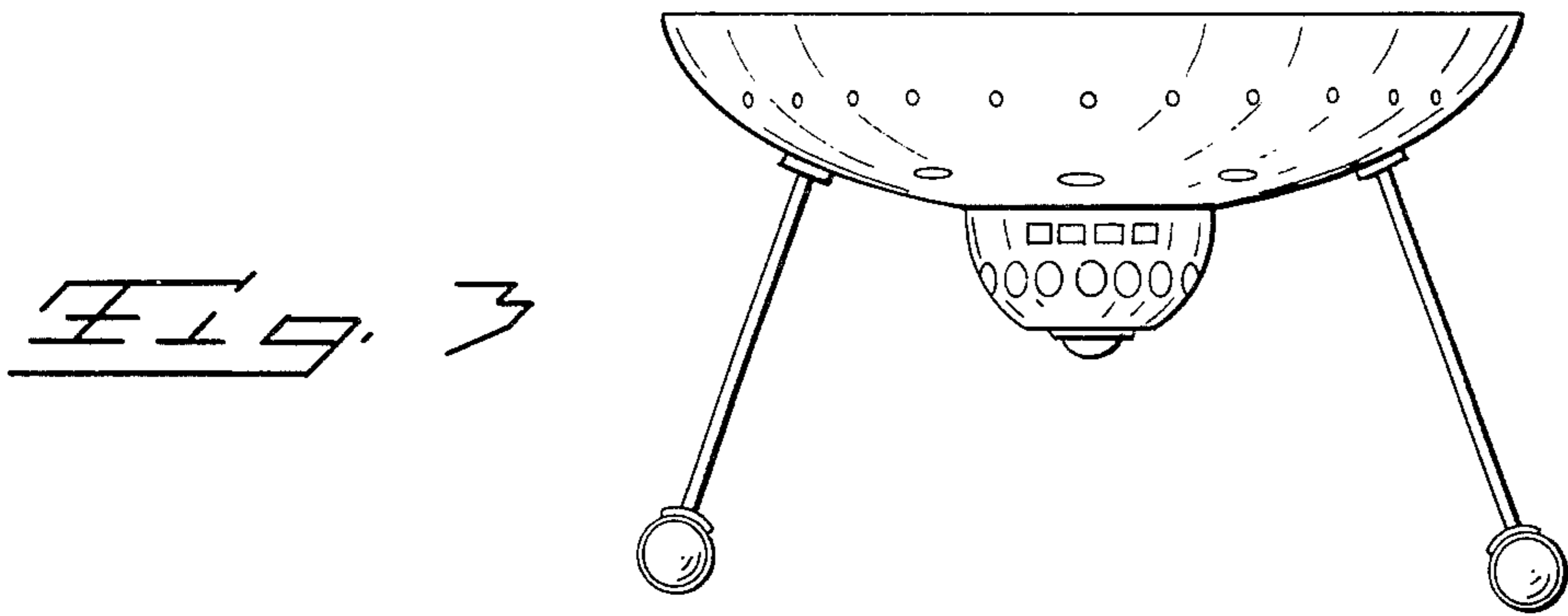
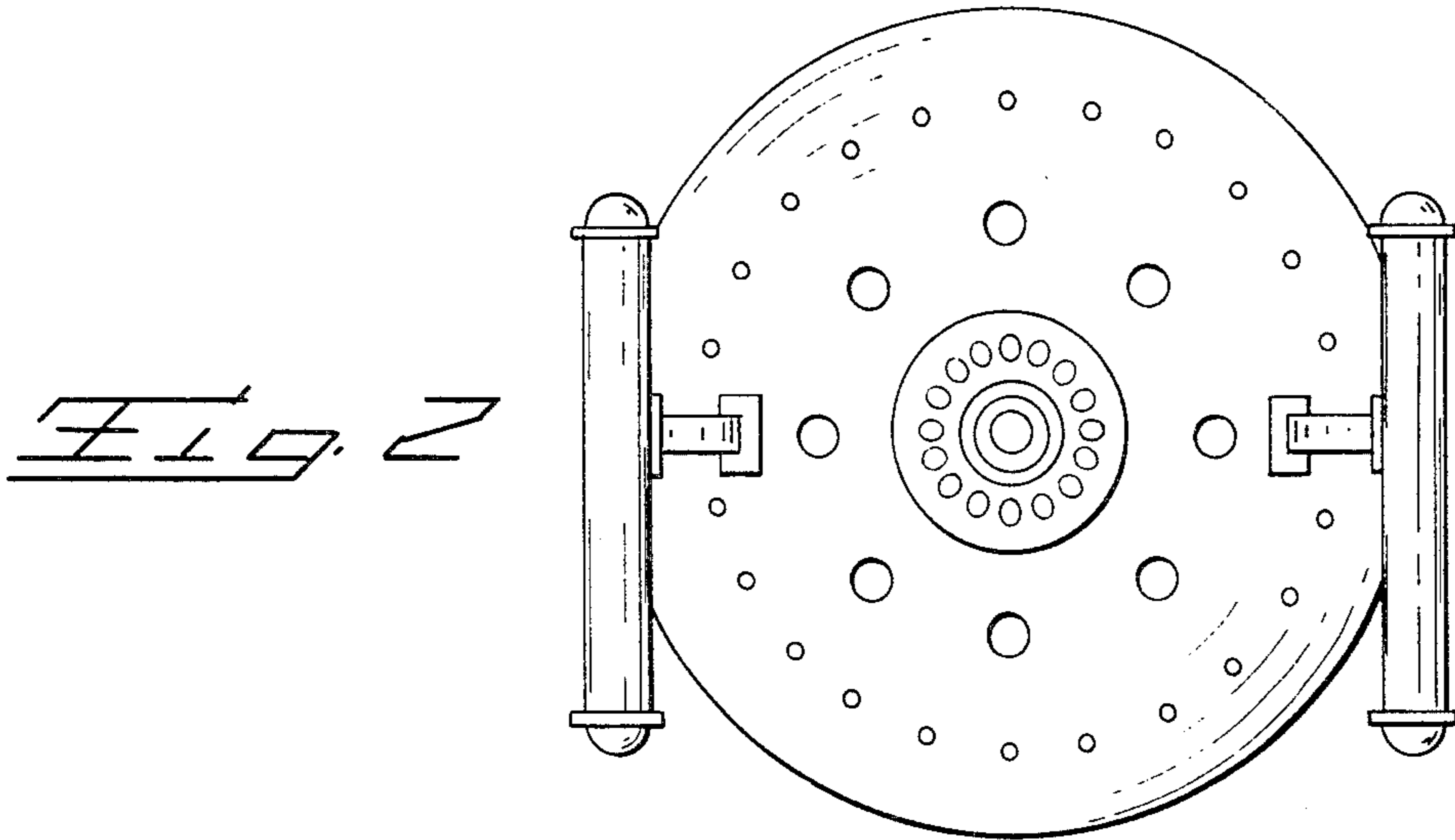
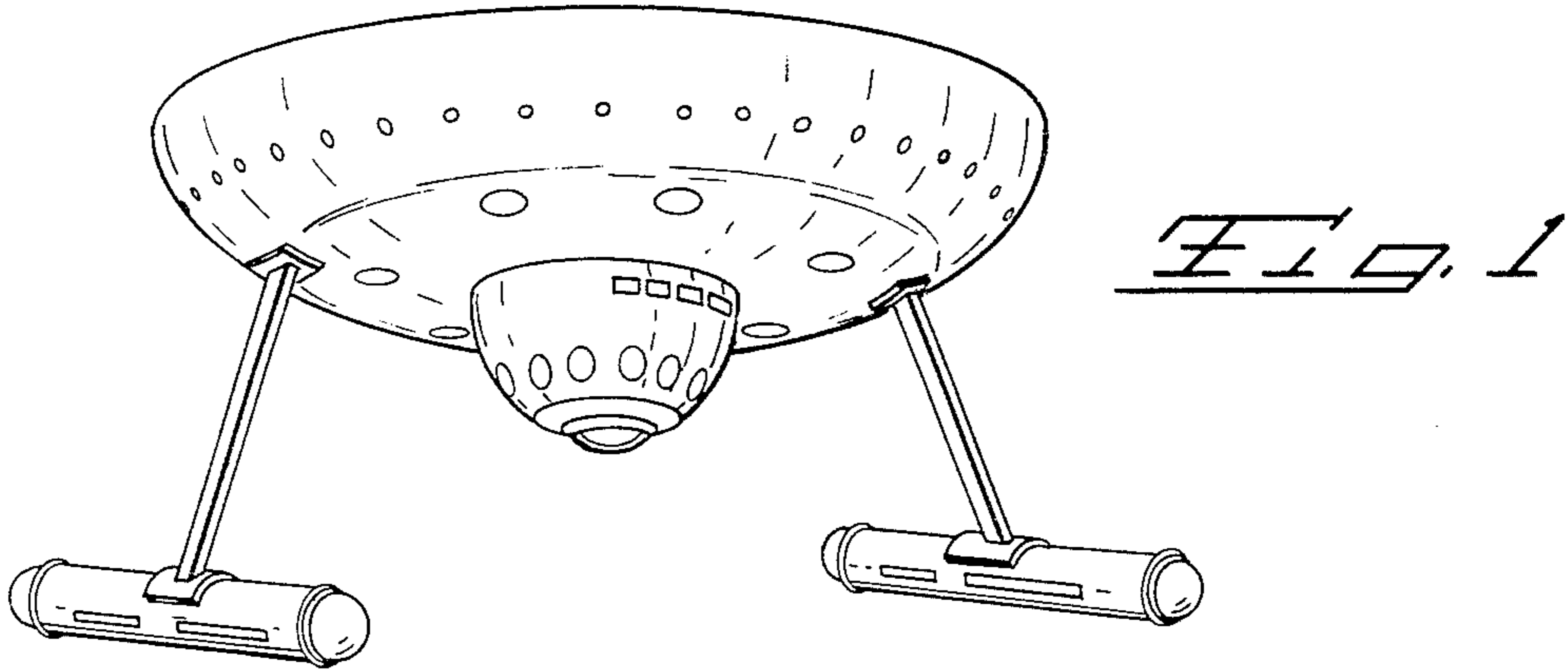
FIG. 3 is a front elevational view thereof;

FIG. 4 is a side elevational view thereof;

FIG. 5 is a rear elevational view thereof.

The surface seen from the top is plain and follows the contours of the exterior surface.





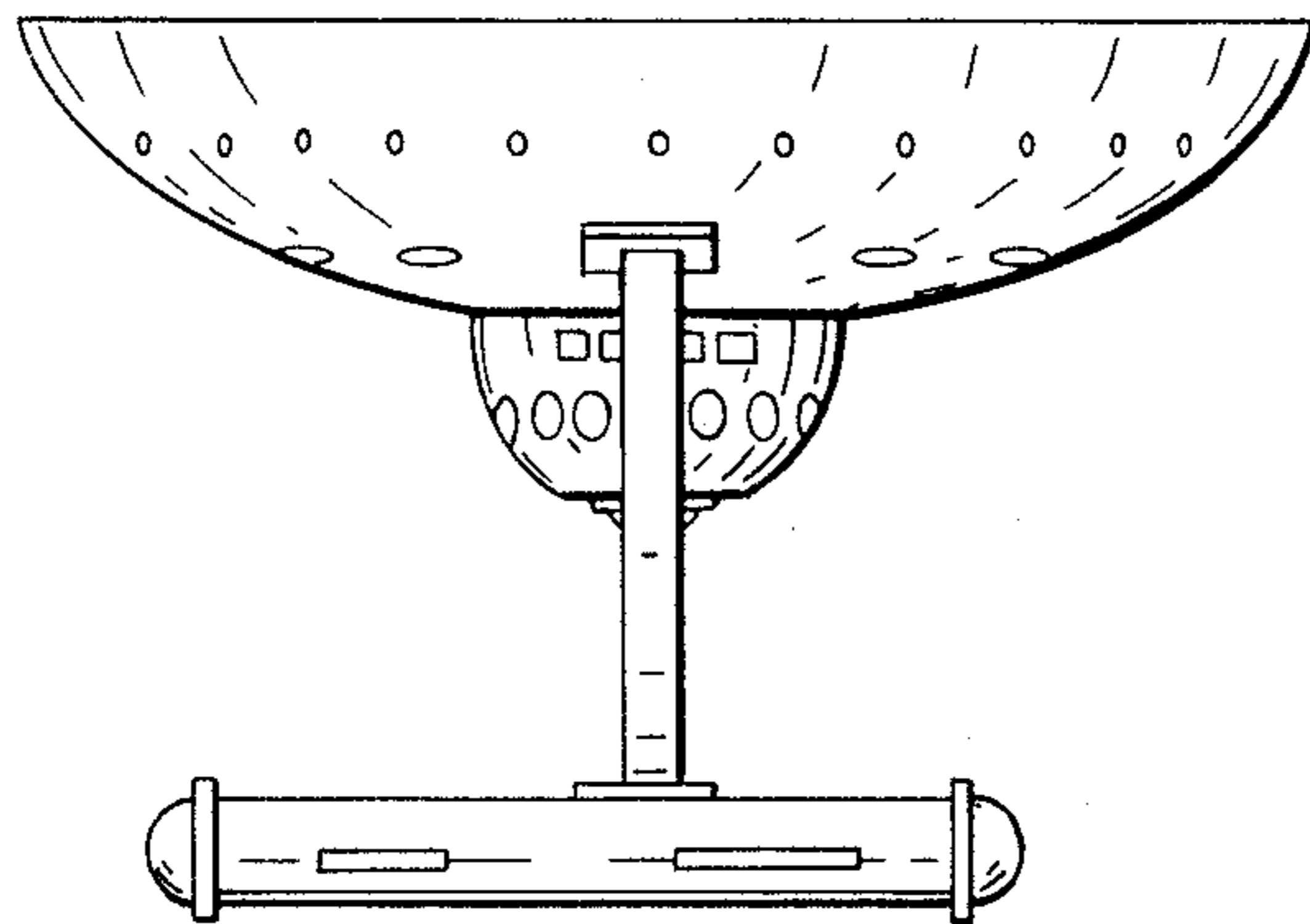


Fig. 4

Fig. 5

