

[54] **FAUCET HANDLE**

[75] **Inventors:** Charles P. Hill, Indianapolis;  
Anthony G. Spangler, Westfield, both  
of Ind.

[73] **Assignee:** Masco Corporation of Indiana,  
Taylor, Mich.

[\*\*] **Term:** 143 Years

[21] **Appl. No.:** 411,868

[22] **Filed:** Aug. 26, 1982

[52] **U.S. Cl.** ..... D23/28; D8/307;  
16/121; 16/DIG. 12; 16/DIG. 30

[58] **Field of Search** ..... D23/23-32;  
D8/307, 308, 310, 311, 312, DIG. 2, DIG.  
3-10; 4/191, 192; 16/110, 118, 121, DIG. 12,  
DIG. 30

[56] **References Cited**

**U.S. PATENT DOCUMENTS**

D. 127,735 6/1941 Dreyfuss ..... D23/28  
190,459 5/1877 Wilkinson ..... D8/83

D. 261,223 10/1981 Scholl ..... D8/320 X  
D. 265,498 7/1982 Paul ..... D23/25  
D. 268,358 3/1983 Saporito et al. .... D23/28  
3,487,496 1/1970 Guyton et al. .... 16/121

*Primary Examiner*—James R. Largen

*Attorney, Agent, or Firm*—Steven L. Permut; Malcolm  
L. Sutherland; Leon E. Redman

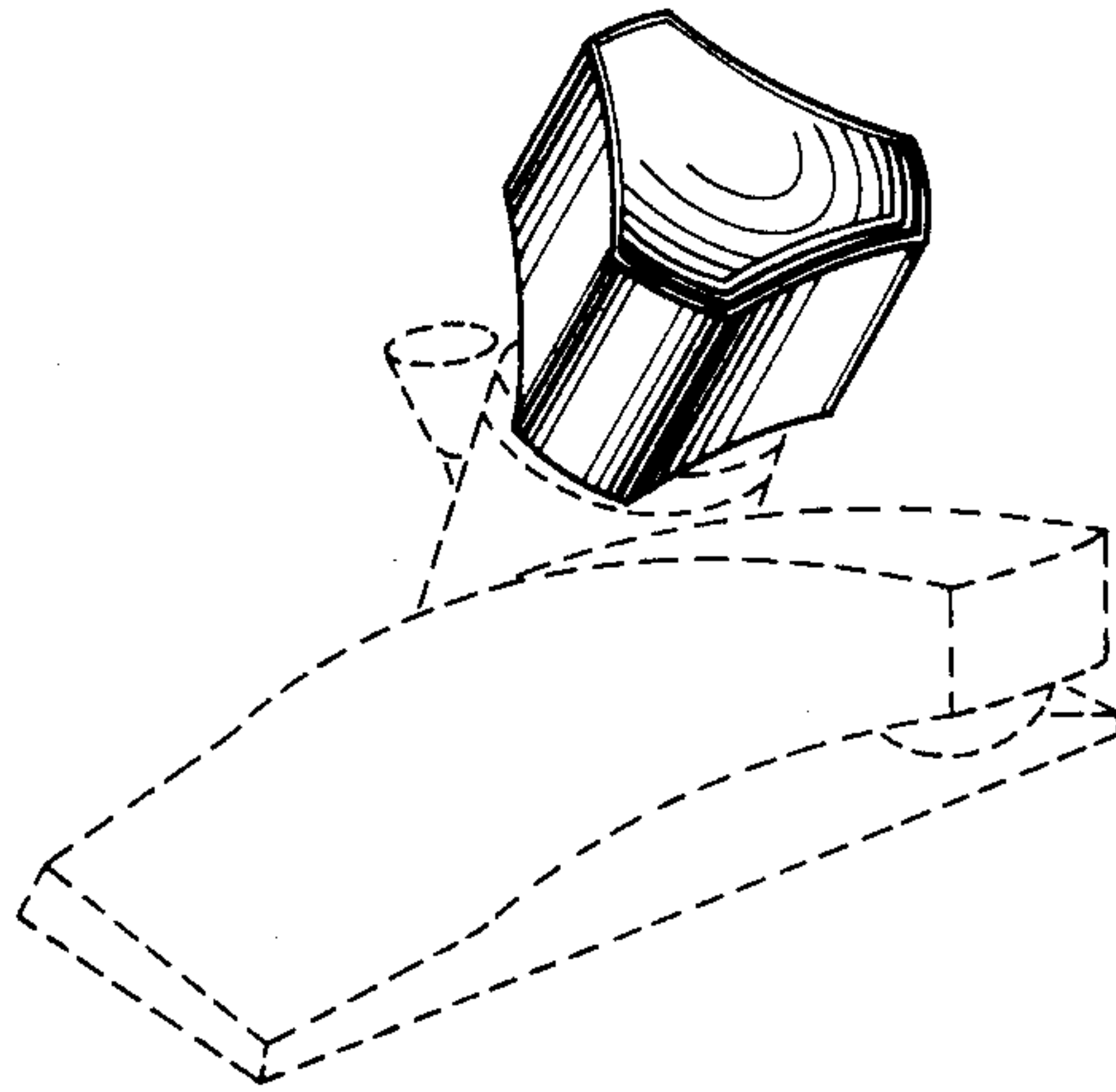
[57] **CLAIM**

The ornamental design for a faucet handle, as shown  
and described.

**DESCRIPTION**

FIG. 1 is a perspective view of a faucet handle showing  
our new design;  
FIG. 2 is another perspective view thereof;  
FIG. 3 is a top plan view thereof;  
FIG. 4 is a side elevational view thereof; and  
FIG. 5 is another side elevational view thereof, with the  
handle rotated 60 degrees from the position shown in  
FIG. 4.

The broken line representation of a lavatory faucet in  
FIG. 1 and a single valve in FIG. 2 is for purpose of  
illustration only.



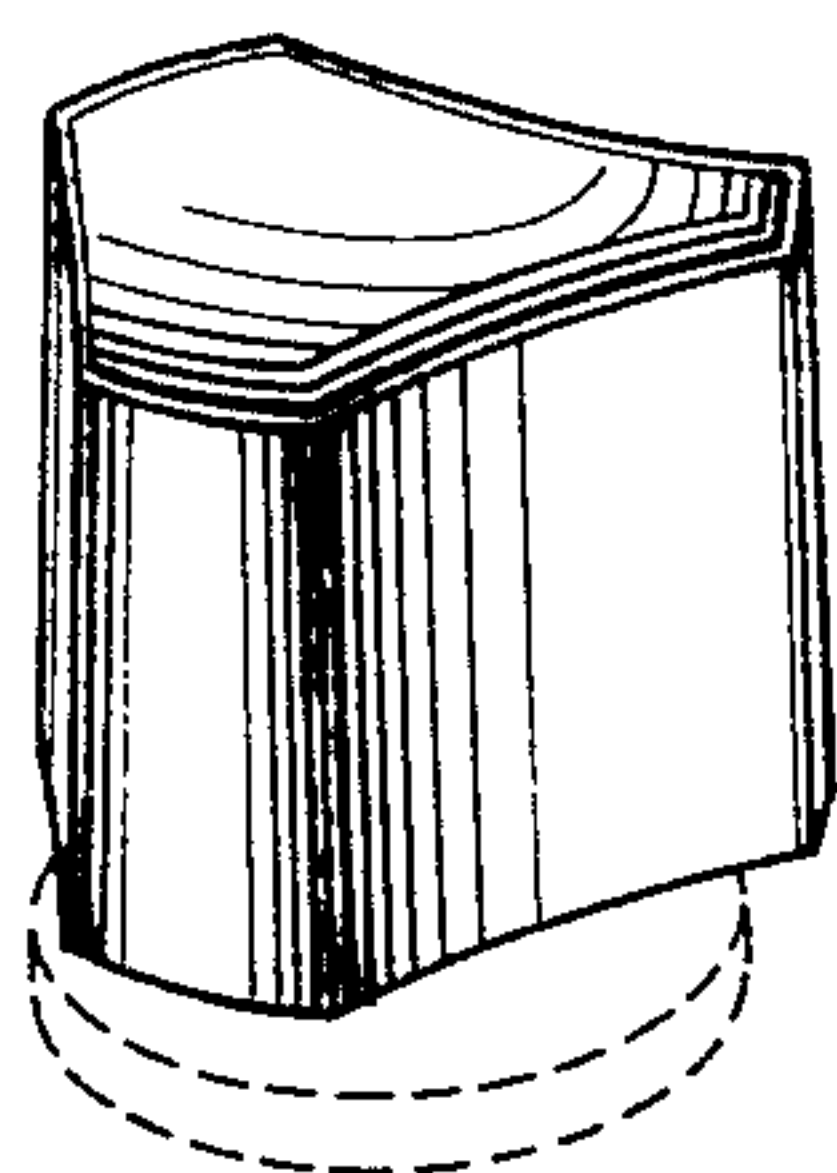


FIG. 2

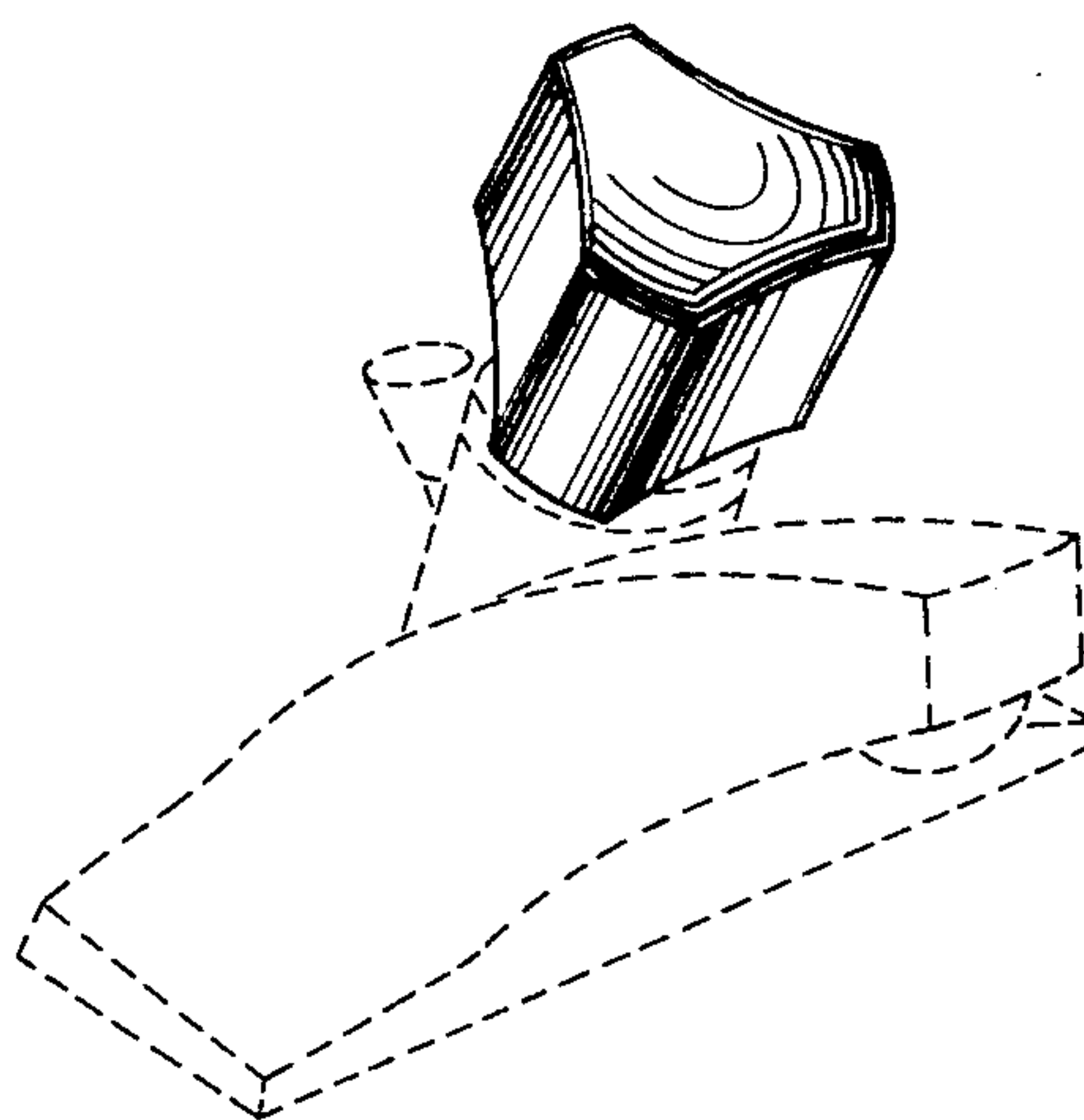


FIG. 1

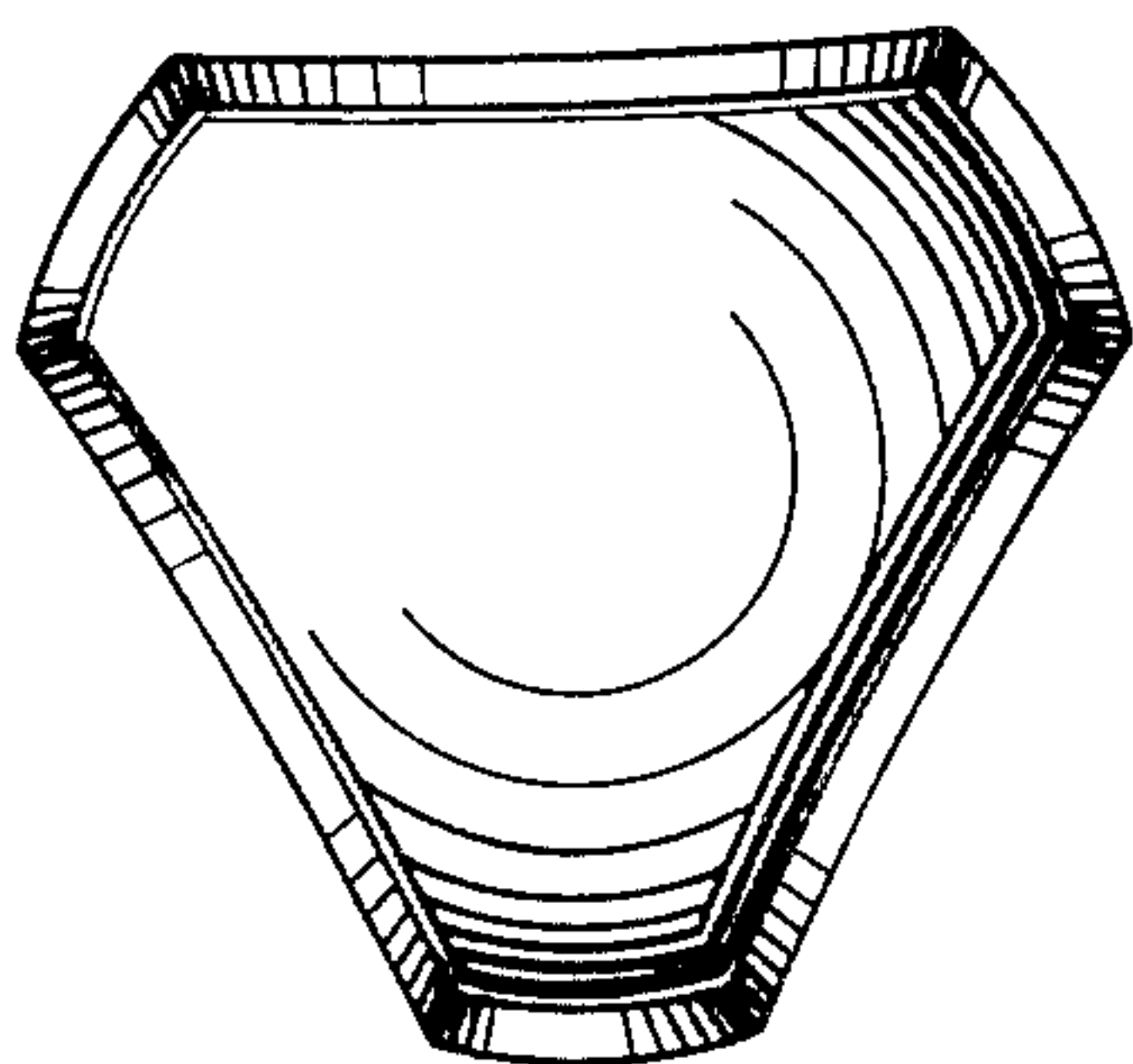


FIG. 3

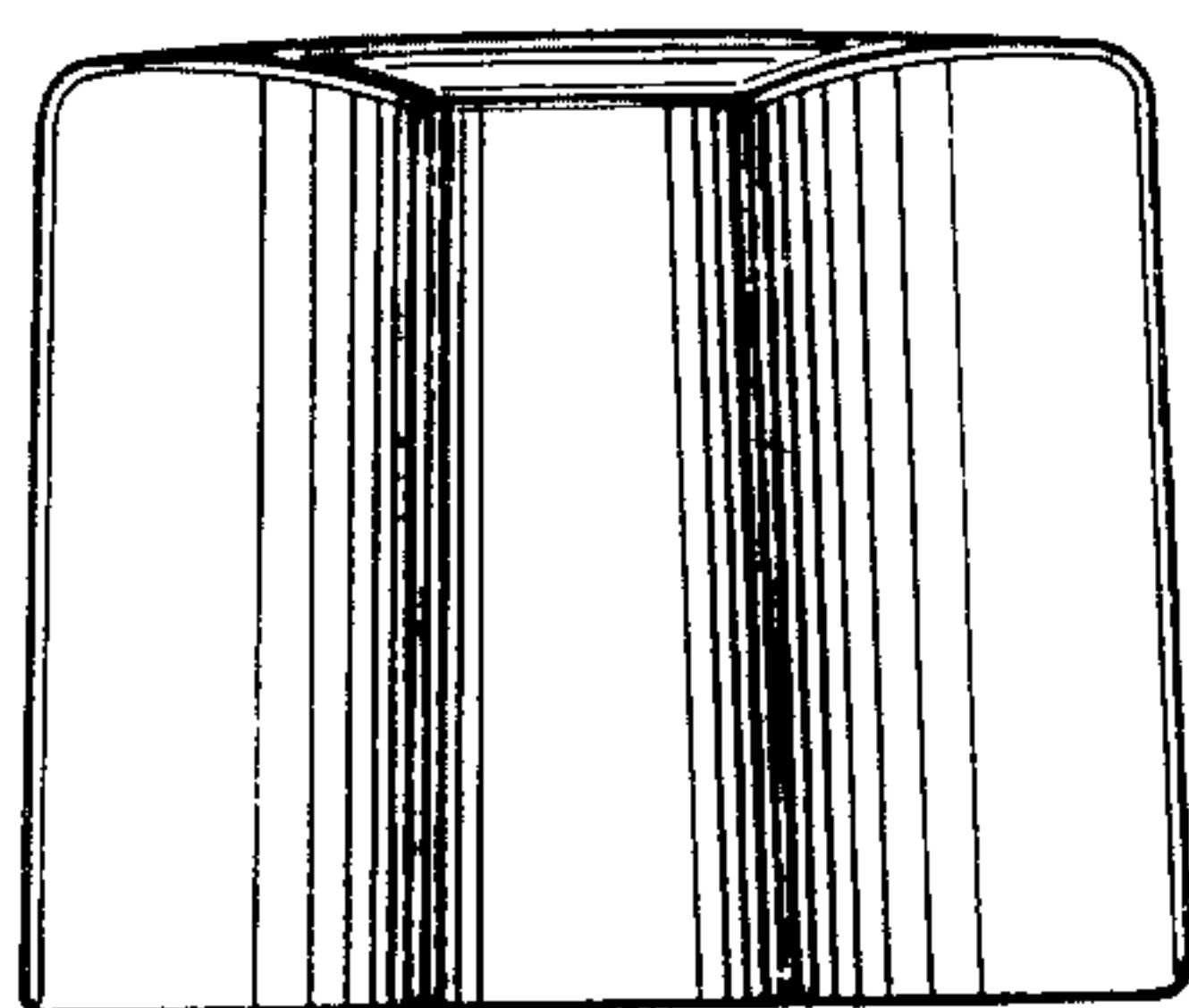


FIG. 4

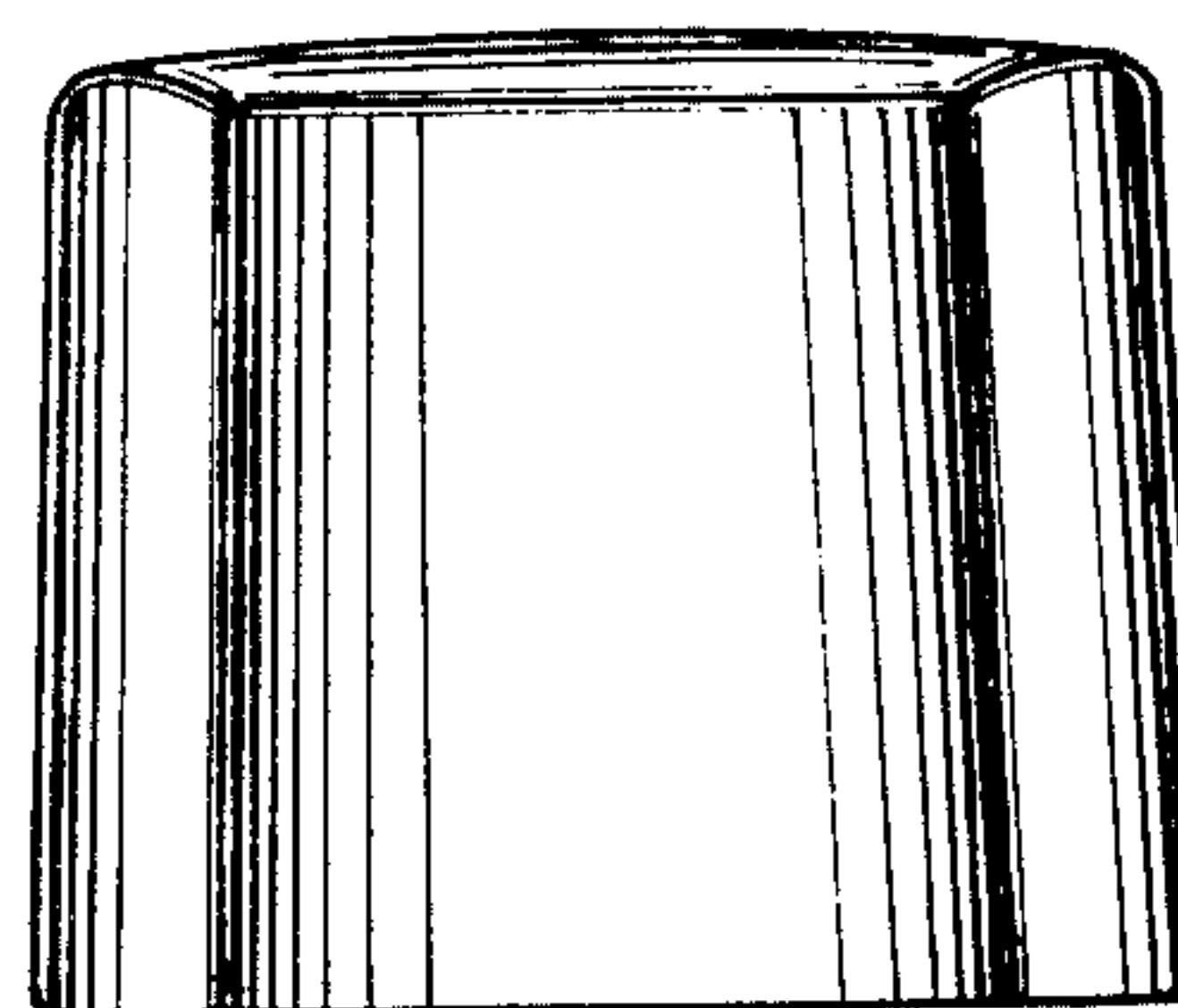


FIG. 5