

[54] FAUCET HANDLE

[75] Inventors: Charles P. Hill, Indianapolis; Anthony G. Spangler, Westfield, both of Ind.

[73] Assignee: Masco Corporation of Indiana, Taylor, Mich.

[**] Term: 14 Years

[21] Appl. No.: 411,867

[22] Filed: Aug. 26, 1982

[52] U.S. Cl. D23/28; D8/310; 16/121; 16/DIG. 12; 16/DIG. 30

[58] Field of Search D23/23-32; D8/307, 308, 310, 311, 312, DIG. 2, DIG. 3, DIG. 10; 4/191, 192; 16/110, 118, 121, DIG. 12, DIG. 30

[56] References Cited

U.S. PATENT DOCUMENTS

190,459	5/1877	Wilkinson	D8/83
D. 197,986	4/1964	Schlago	D8/312
D. 227,251	6/1973	Botefur et al.	D23/28
D. 261,223	10/1981	Scholl	D8/310
D. 265,579	7/1982	Paul	D23/25
D. 268,358	3/1983	Saporito et al.	D23/28

OTHER PUBLICATIONS

General Lock, Inc., Complete Catalog 66, ©1965, pp. 1-11.

Industrial Design, Jun. 1954, p. 107, top left item. Dimeo Plastic Knobs, Catalog 66, p. 4.

Primary Examiner—James R. Largent

Attorney, Agent, or Firm—Steven L. Permut; Malcolm L. Sutherland; Leon E. Redman

[57] CLAIM

The ornamental design for a faucet handle, as shown and described.

DESCRIPTION

FIG. 1 is a perspective view of a faucet handle showing our new design;

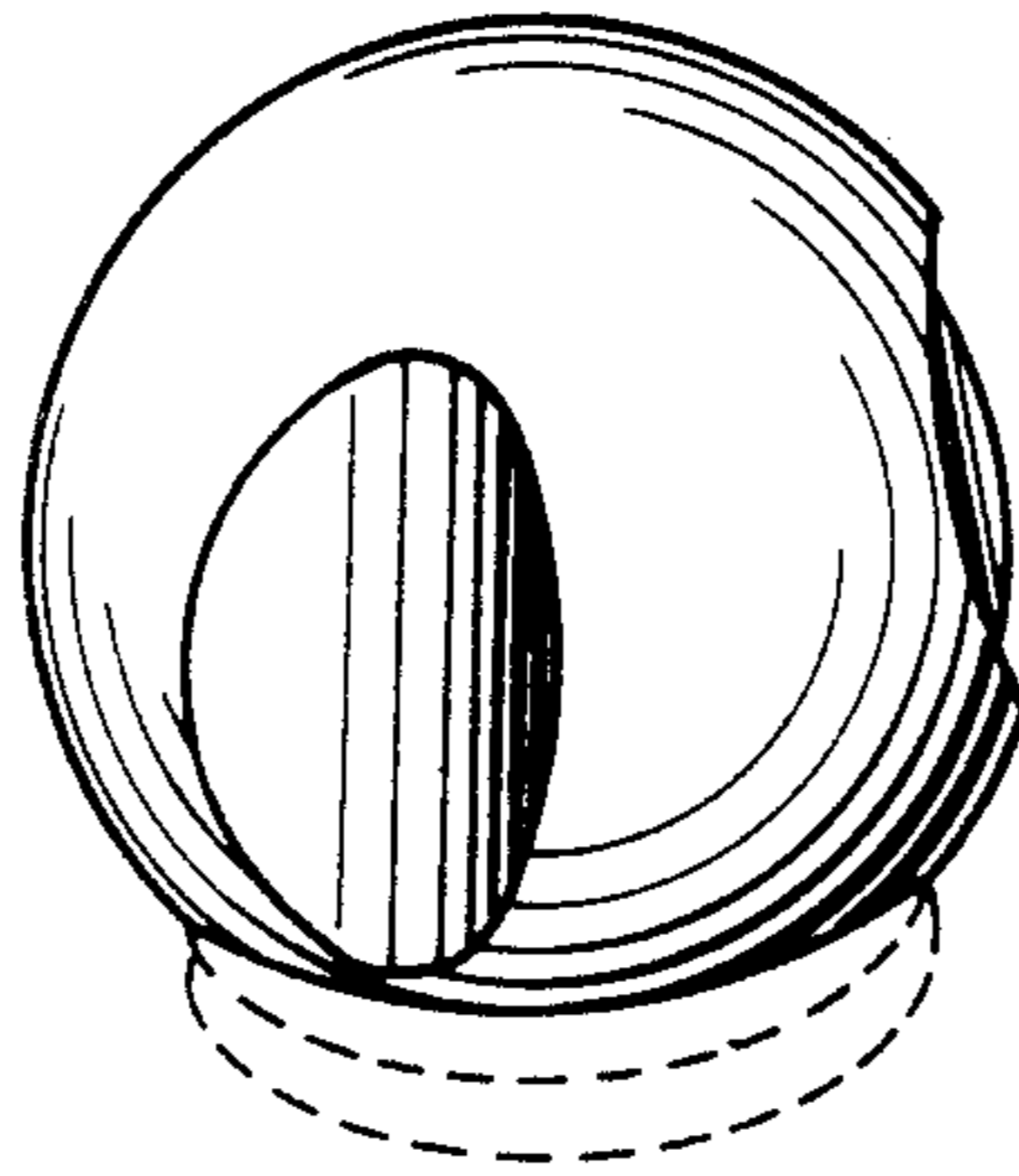
FIG. 2 is another perspective view thereof;

FIG. 3 is a top plan view thereof;

FIG. 4 is a side elevational view thereof; and

FIG. 5 is another side elevational view thereof, with the handle rotated 60 degrees from the position shown in FIG. 4.

The broken line representation of a lavatory faucet in FIG. 1 and a single valve in FIG. 2 is for purpose of illustration only.



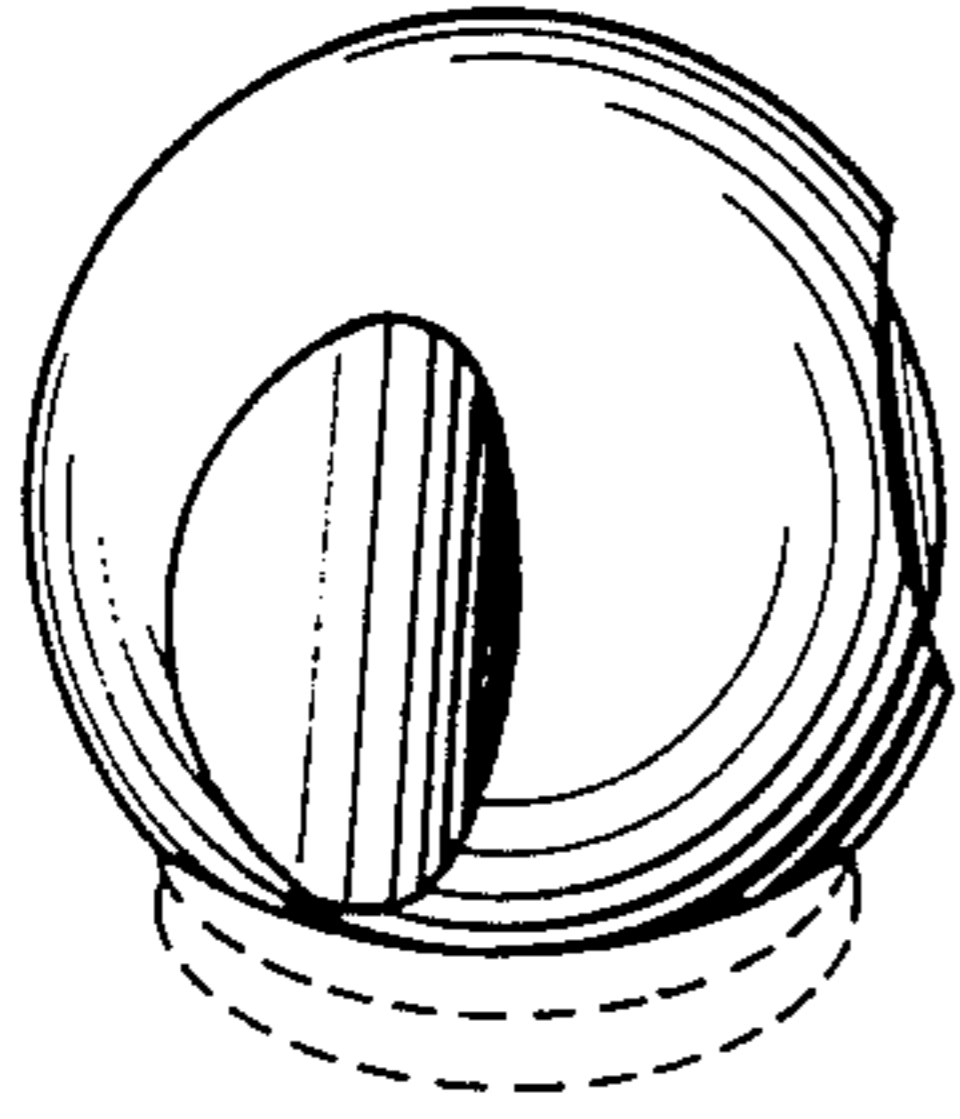


FIG. 2

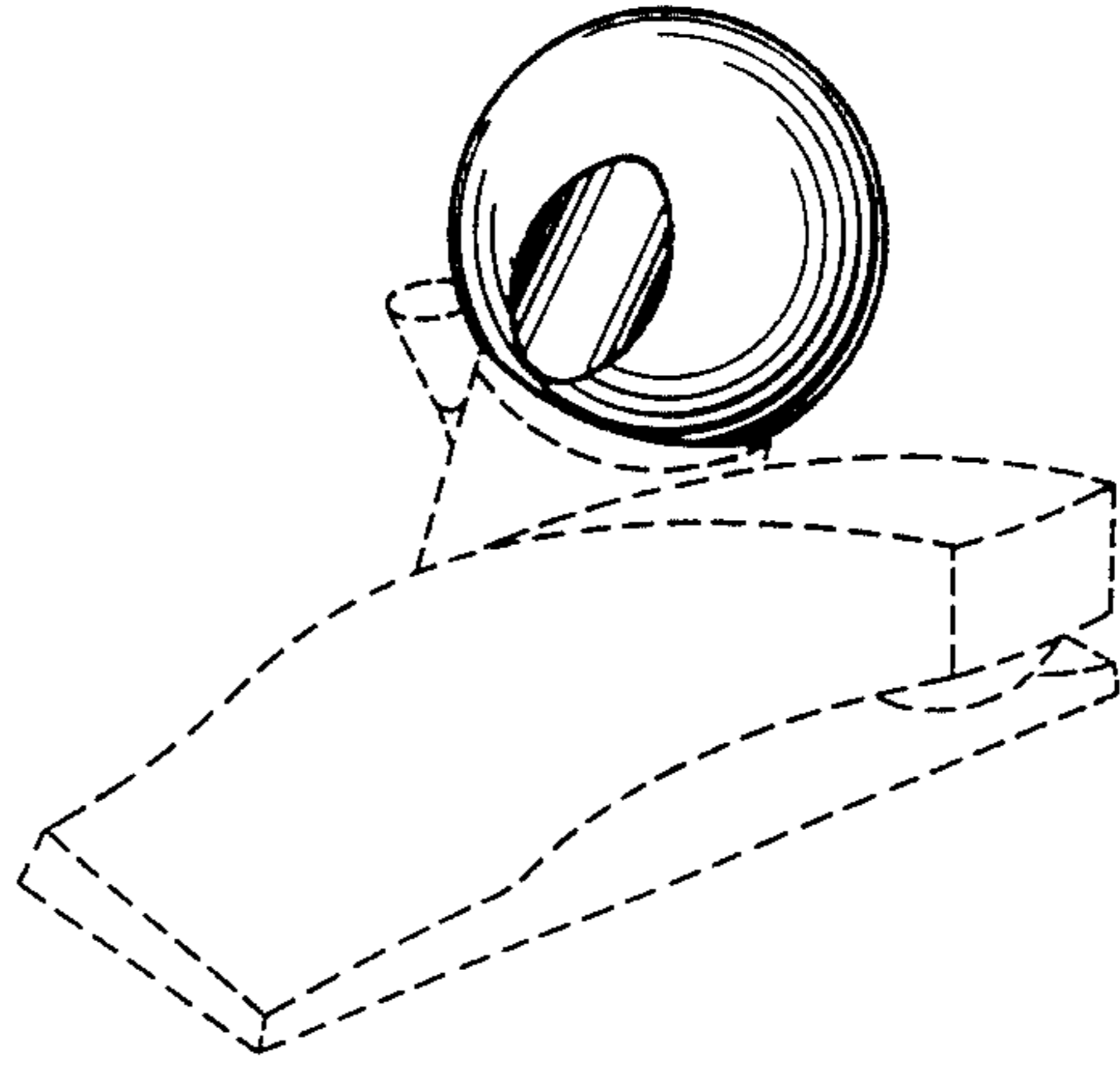


FIG. 1

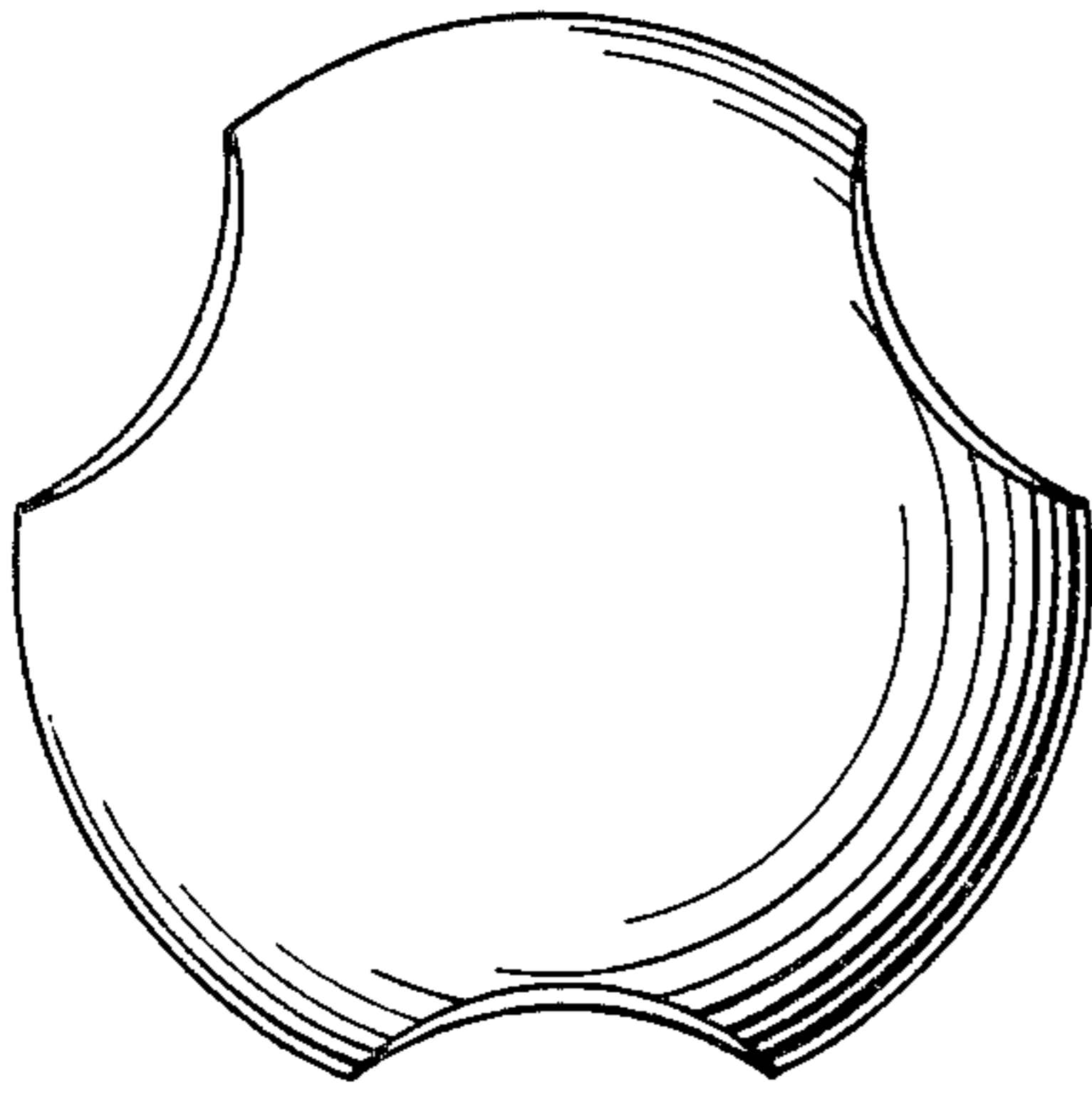


FIG. 3

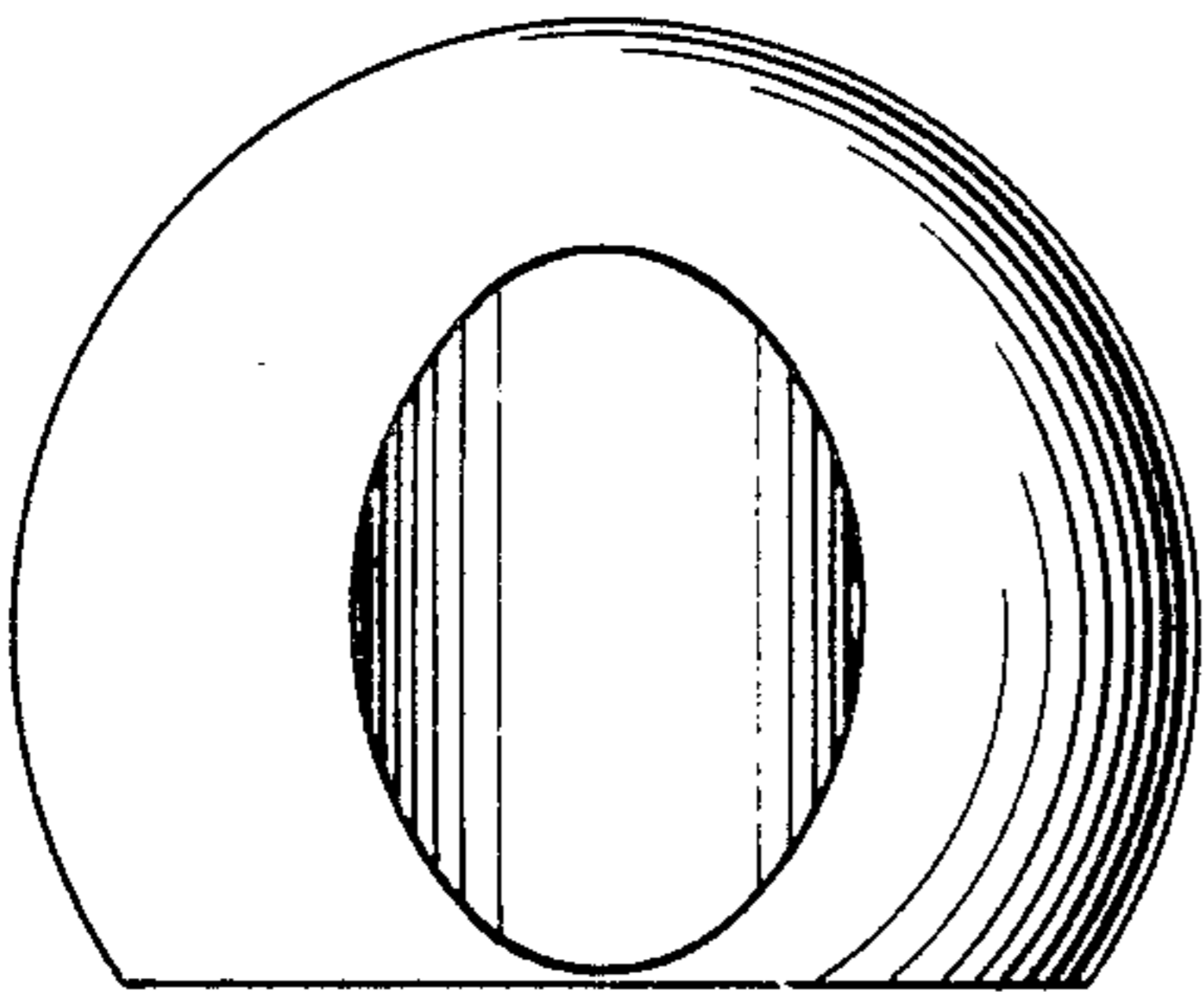


FIG. 4

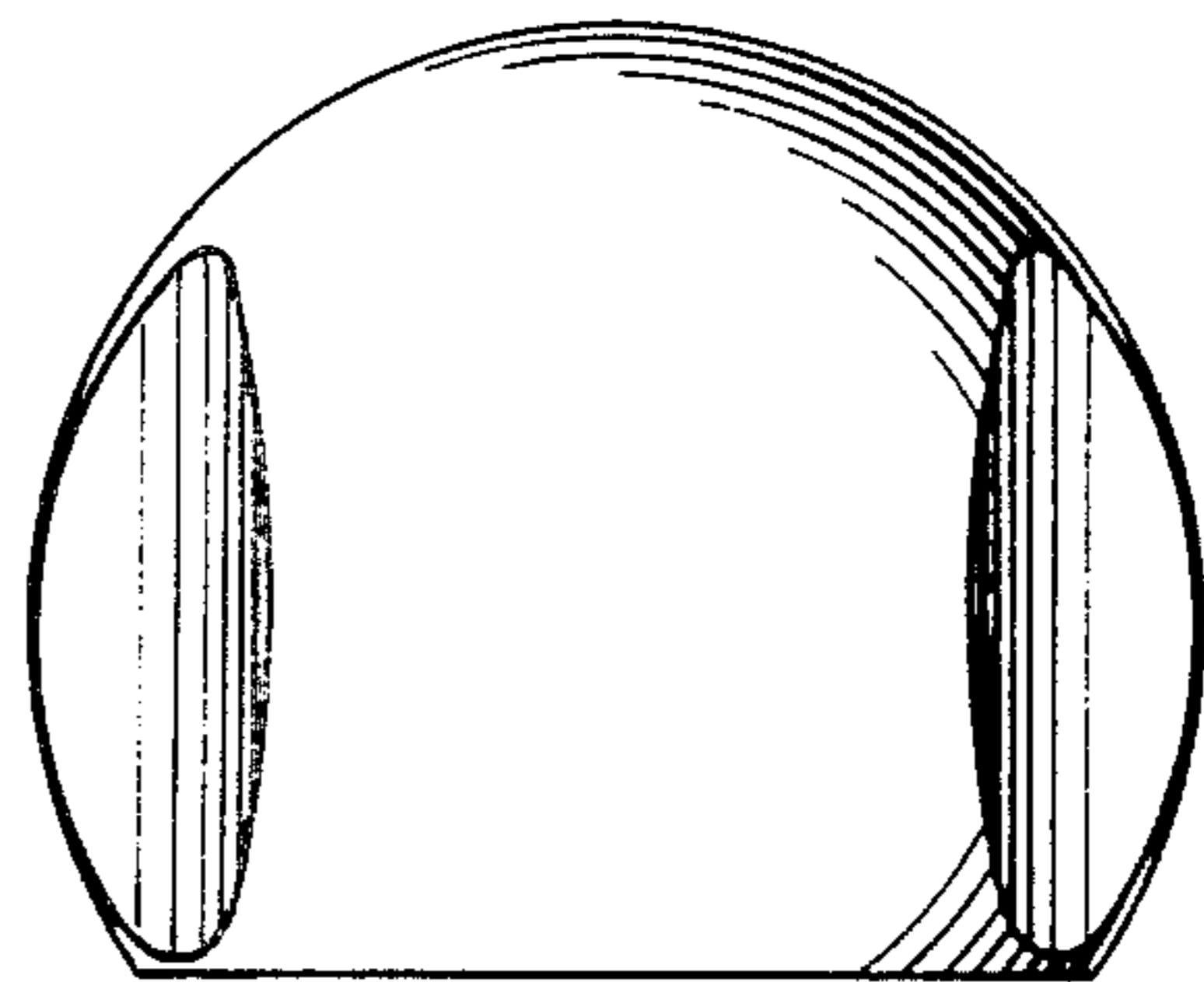


FIG. 5