

[54] COMBINED STREET NAME AND ADVERTISING SIGN

[76] Inventors: Moshe Maya; Tamar Maya, both of c/o Dr. Leon, 4140 Pine Tree Dr., Apartment 1203, Miami Beach, Fla. 33140

[\*\*] Term: 14 Years

[21] Appl. No.: 431,795

[22] Filed: Sep. 30, 1982

[52] U.S. Cl. .... D20/17; D20/19; D20/41

[58] Field of Search ..... D20/10, 17, 19, 20, D20/41; 40/564, 572, 575, 578, 584, 606, 607, 608, 611, 612, 617

[56] References Cited

U.S. PATENT DOCUMENTS

- D. 79,024 7/1929 Gottlieb et al. .... D20/17
- D. 80,486 2/1930 Jones ..... D20/17

- D. 83,360 2/1931 Sprung ..... D20/17
- 1,602,892 10/1926 Frank ..... 40/572
- 1,908,360 5/1933 Hunt ..... 40/607
- 2,073,975 3/1937 Hammar ..... 40/607
- 2,785,487 3/1957 Hopp ..... 40/607 X

FOREIGN PATENT DOCUMENTS

- 524152 4/1956 Canada ..... 40/575
- 1300899 7/1962 France ..... D20/17
- 2286456 4/1976 France ..... 40/607

Primary Examiner—Catherine E. Kemper  
Attorney, Agent, or Firm—Harvey B. Jacobson

[57] CLAIM

The ornamental design for a combined street name and advertising sign, as shown and described.

DESCRIPTION

FIG. 1 is a perspective view of a combined street name and advertising sign showing our new design; FIG. 2 is a top plan view thereof view thereof; and FIG. 3 is a sectional view, on an enlarged scale, taken generally along section line 3—3 of FIG. 1.

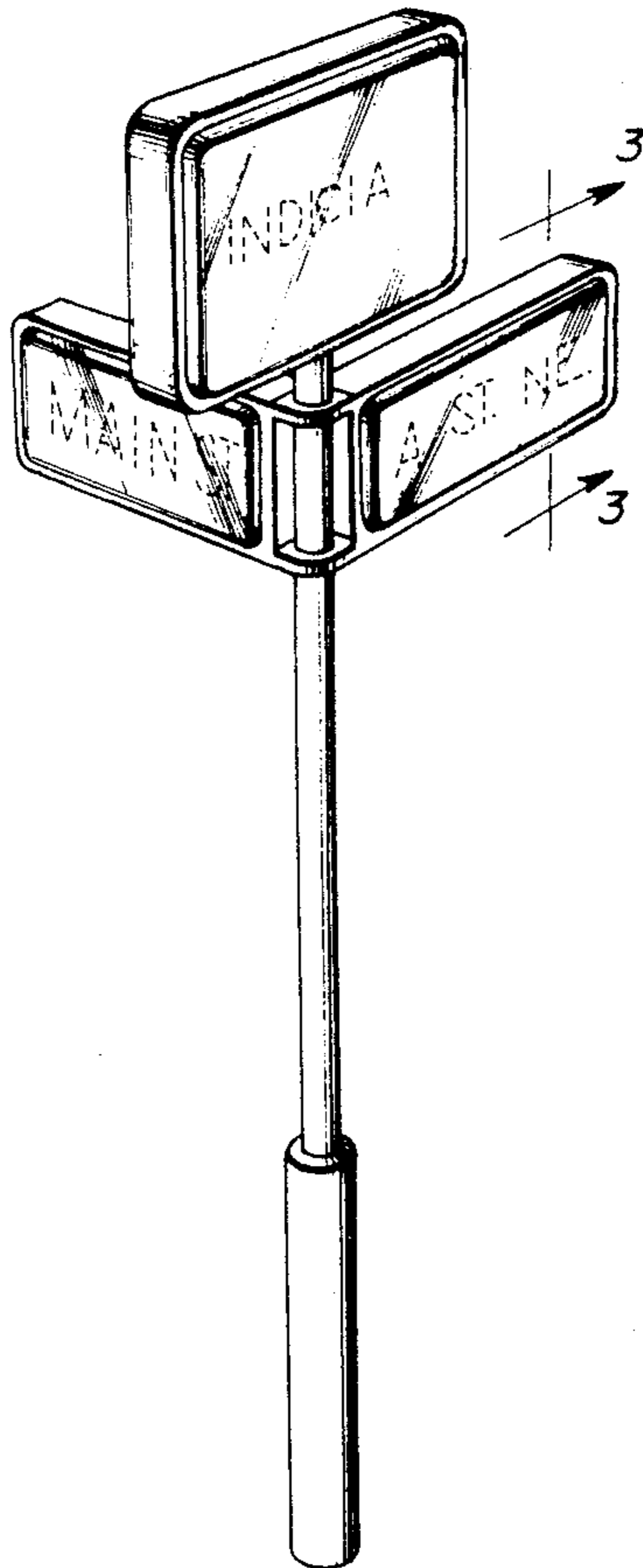


FIG. 1

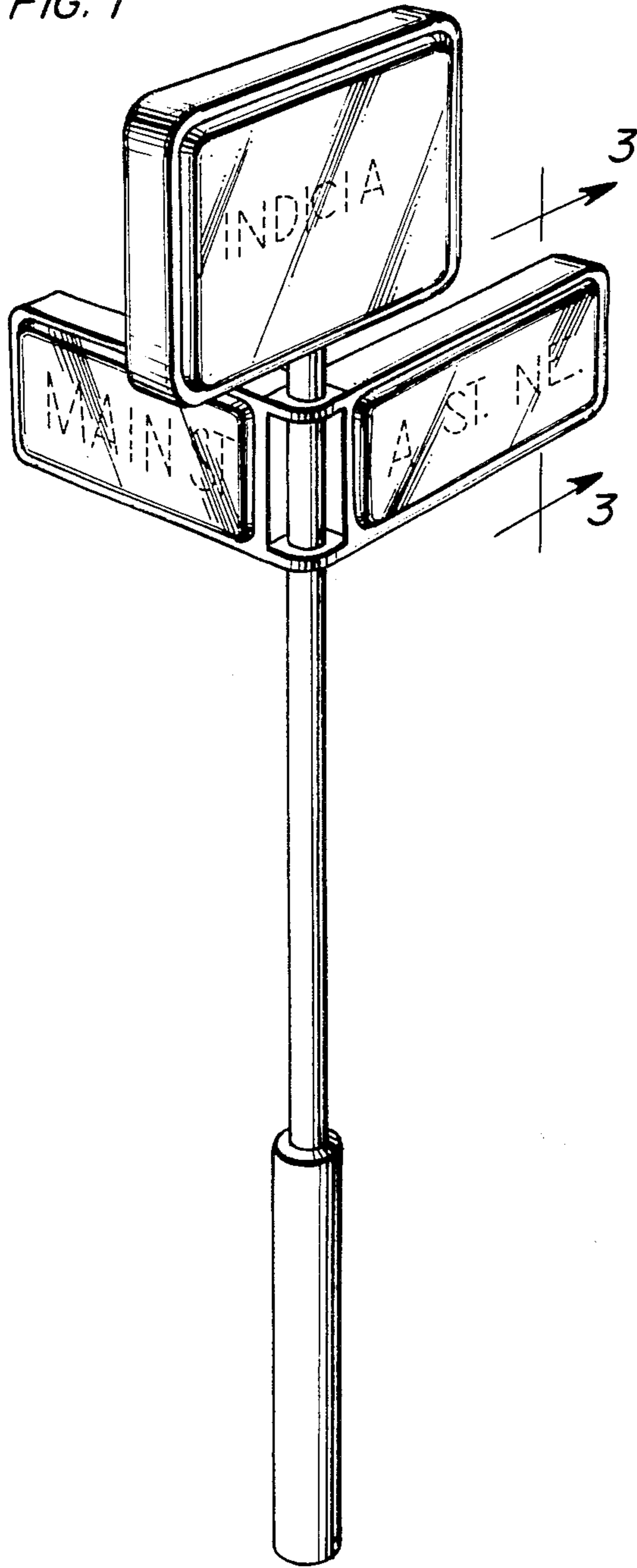


FIG. 2

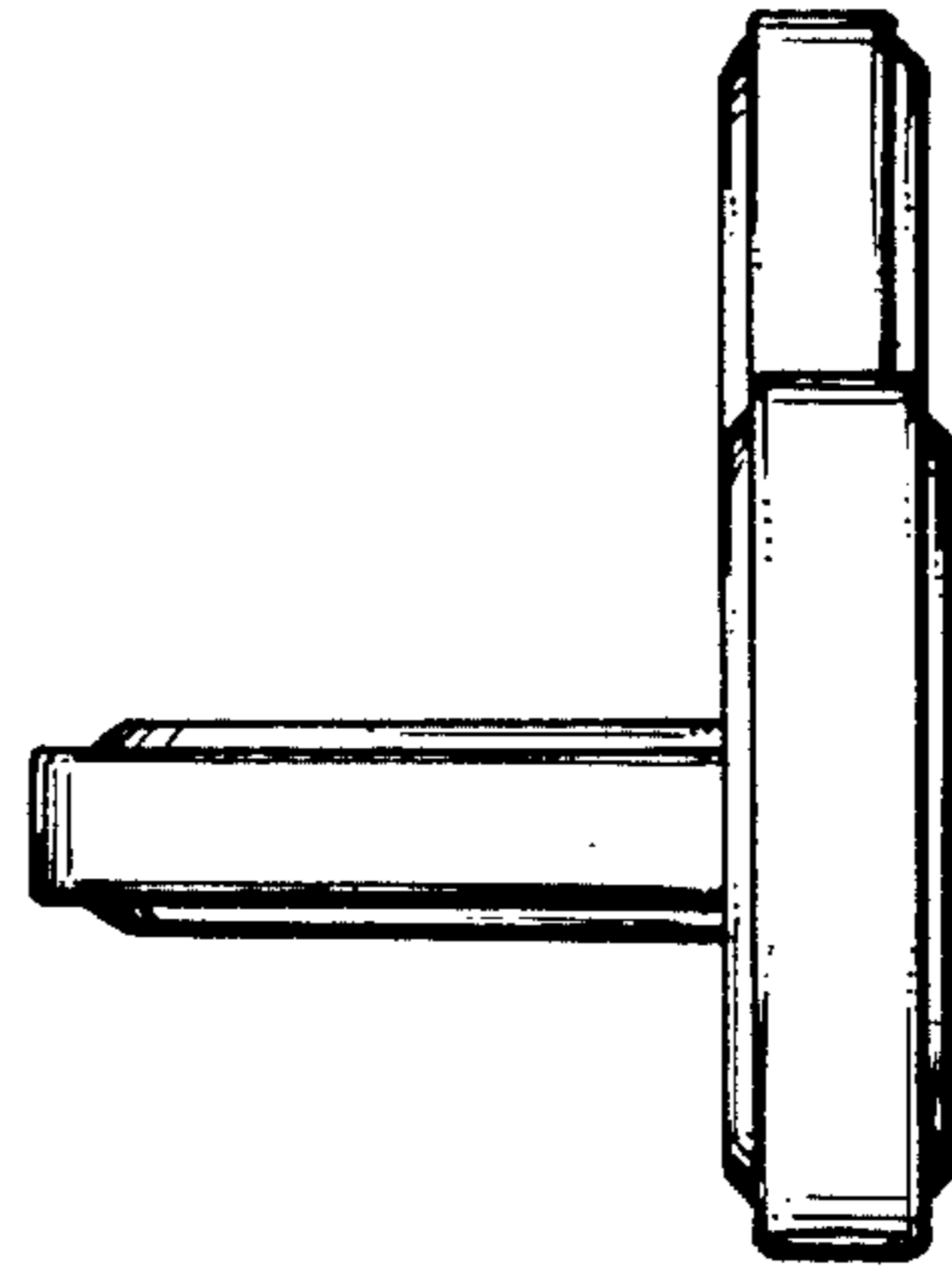


FIG. 3

