

[54] **READING SUPPORT FOR HANDICAPPED**

[76] **Inventor: Stig L. Landström, Brinkska vägen
1A, S-152 00 Strängnäs, Sweden**

[**] **Term: 14 Years**

[21] **Appl. No.: 386,629**

[22] **Filed: Jun. 9, 1982**

[52] **U.S. Cl. D19/91**

[58] **Field of Search D19/20, 75, 78, 86,
D19/90, 91; 211/11, 45, 50; D6/140; 434/117;
248/441 A, 450, 454, 455**

[56]

References Cited

U.S. PATENT DOCUMENTS

D. 176,292 12/1955 Vernon D19/90
D. 201,596 7/1965 Pulos et al. D19/90
D. 251,254 3/1979 Tiedemann D19/90
D. 258,511 3/1981 Ashton D19/90
D. 268,119 3/1983 Evenson D19/90

Primary Examiner—George P. Word

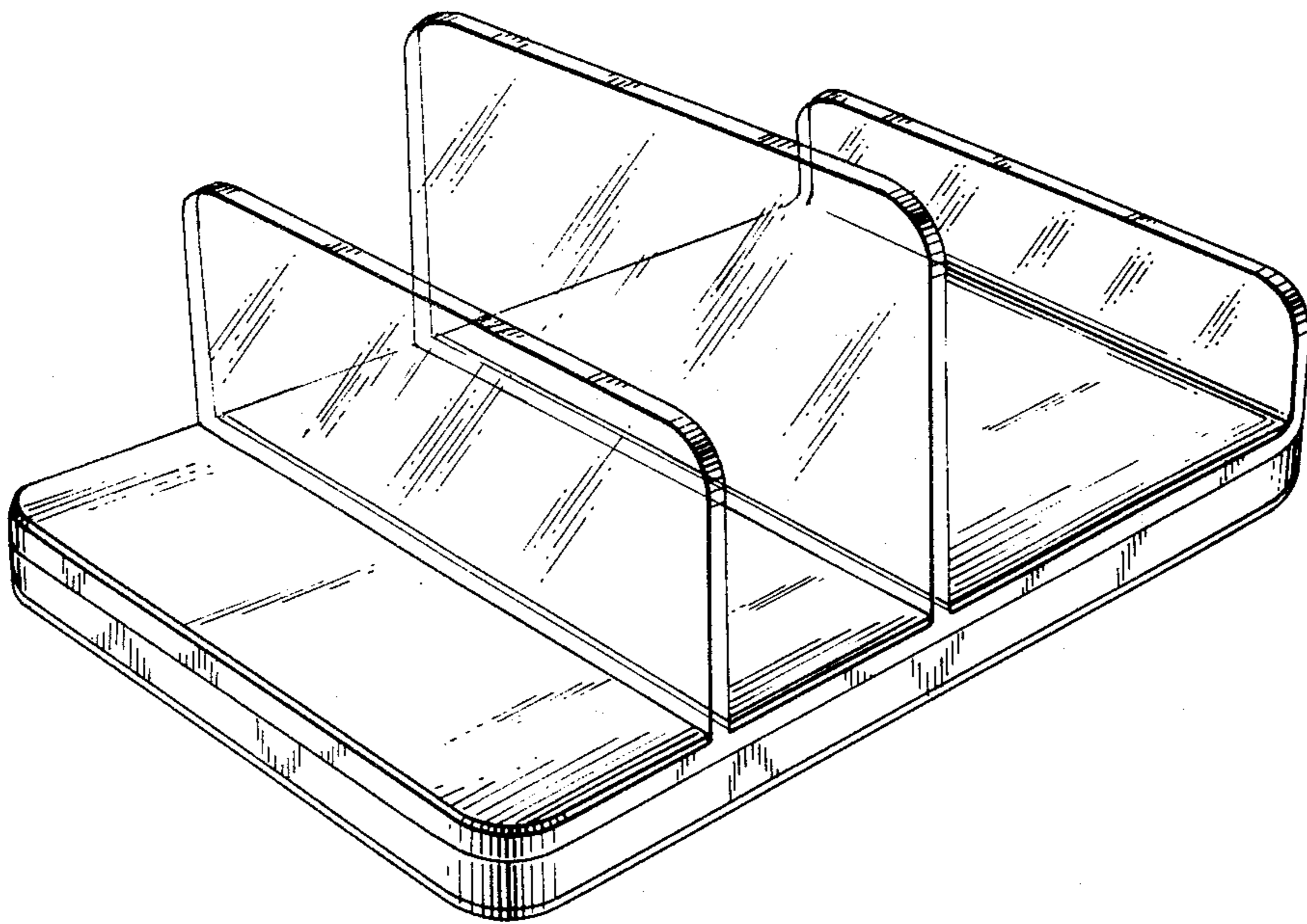
[57]

CLAIM

The ornamental design for a reading support for handicapped, as shown and described.

DESCRIPTION

FIG. 1 is a top perspective view of a reading support for handicapped showing my new design; and FIG. 2 is a bottom perspective view thereof.



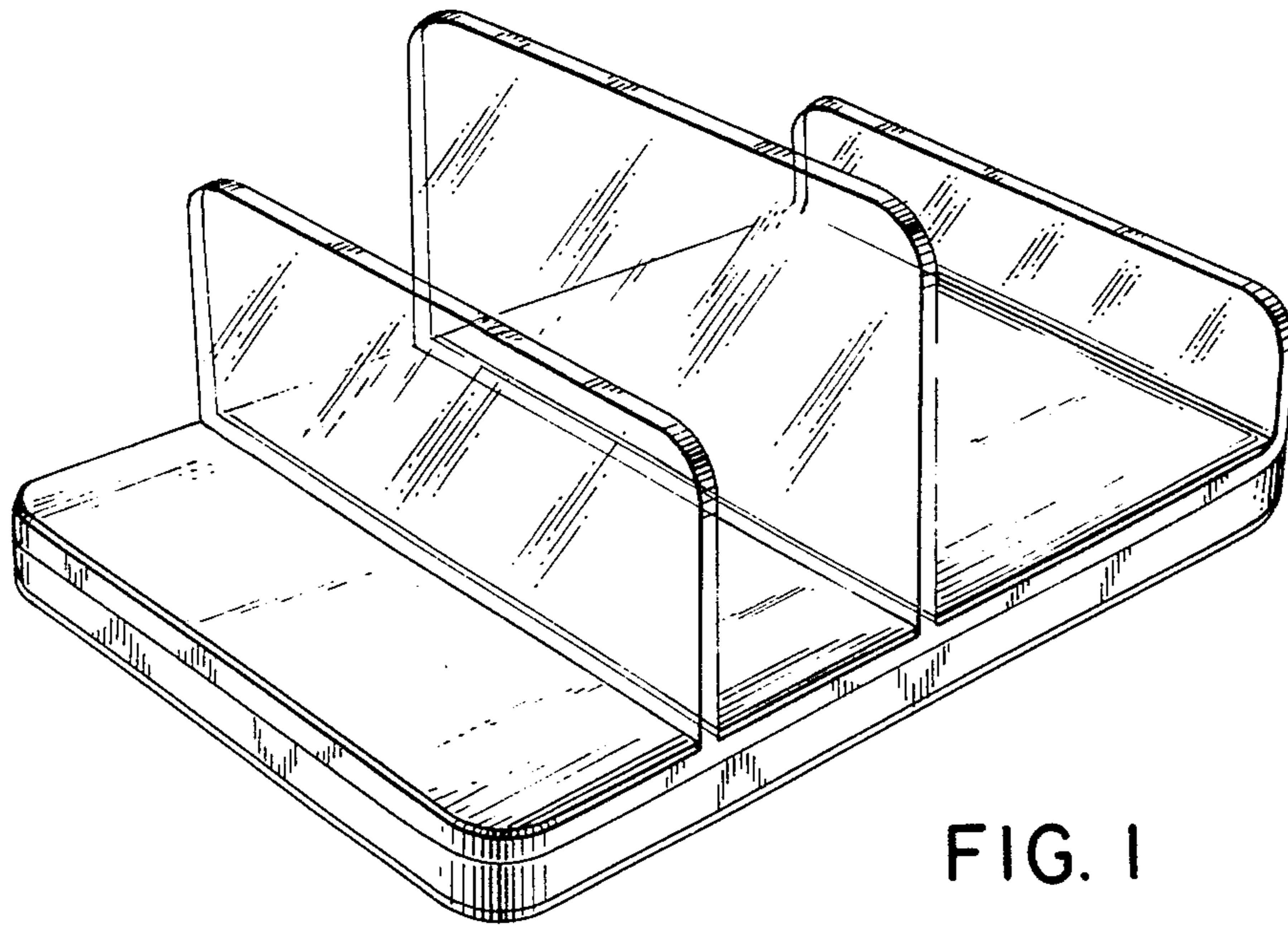


FIG. 1

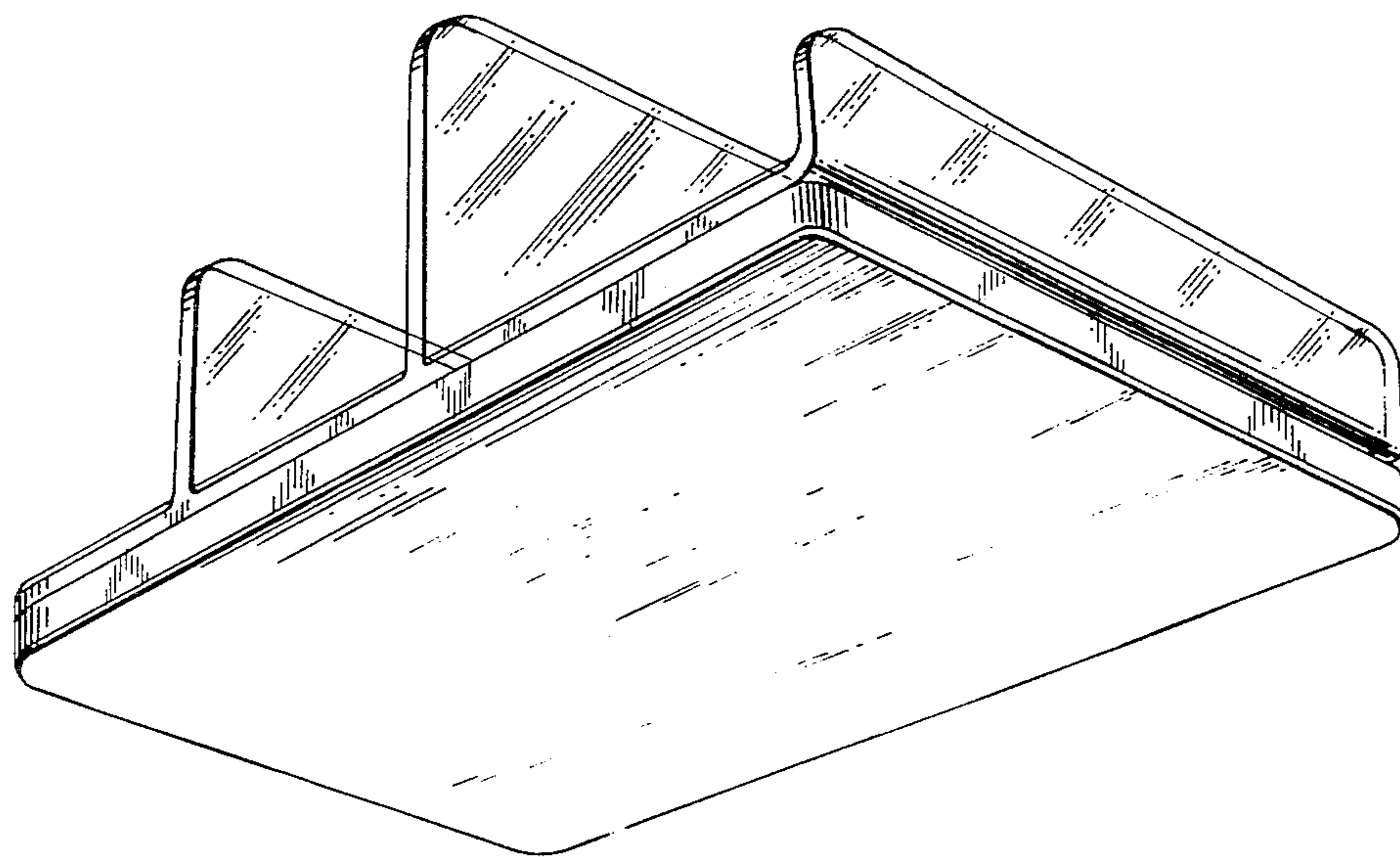


FIG. 2