

[54] PAN HEAD ASSEMBLY

4,010,923 3/1977 Miller ..... 248/183

[75] Inventor: Koma Nakatani, Tokyo, Japan

OTHER PUBLICATIONS

[73] Assignee: Velbon International Cororation, Torrance, Calif.

*Osawa (Flyer) "How to Choose a Tripod"—6/81—p. 1—Tripod Head at top.*

*Industrial Design—6/55—p. 92—Tripod Head at bottom.*

[\*\*] Term: 14 Years

*Primary Examiner—Nelson C. Holtje  
Attorney, Agent, or Firm—Beehler, Pavitt, Siegemund, Jagger & Martella*

[21] Appl. No.: 435,998

[22] Filed: Oct. 22, 1982

[52] U.S. Cl. .... D16/46

[58] Field of Search ..... D16/44, 45, 46;  
248/168, 182, 183, 187, 170-173, 169; 354/293,  
294, 295

[57] CLAIM

The design for a pan head assembly, substantially as shown and described.

[56] References Cited

DESCRIPTION

U.S. PATENT DOCUMENTS

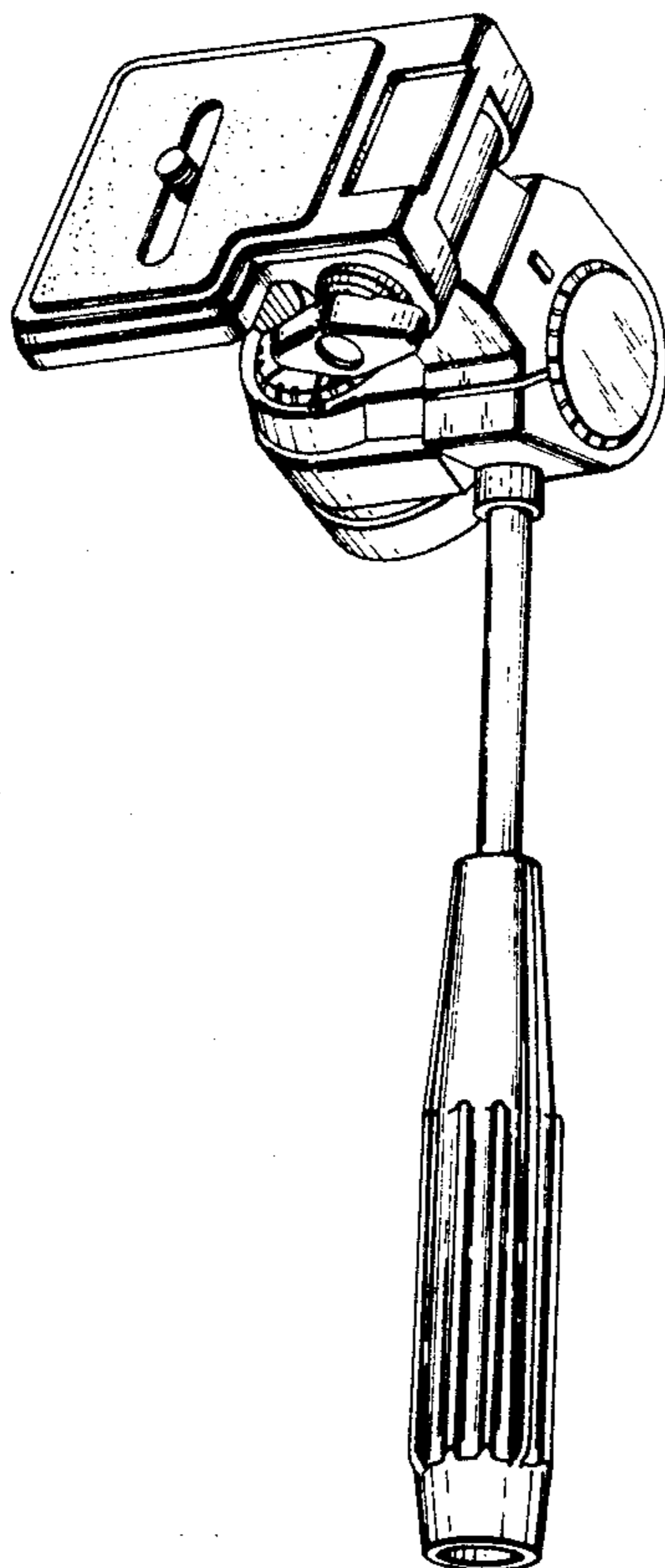
D. 262,635	1/1982	Iwasaki	.....	D16/46
D. 263,147	2/1982	Iwasaki	.....	D16/45
D. 265,481	7/1982	Iwasaki	.....	D16/46
2,717,138	9/1955	Sheehan	.....	248/183

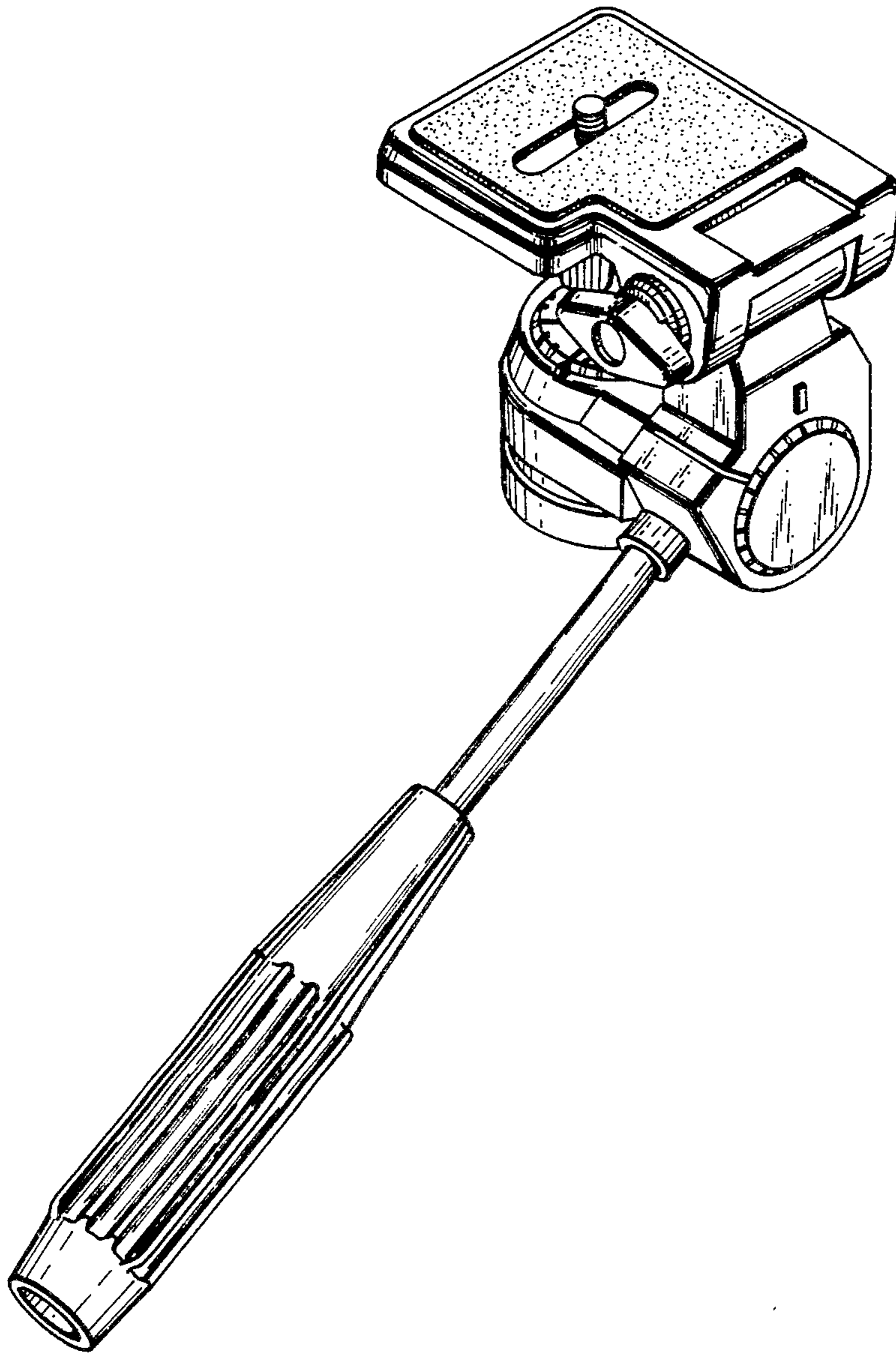
FIG. 1 is a front and top-right perspective view of a pan head assembly showing my new design;

FIG. 2 is a rear elevational view thereof;

FIG. 3 is a bottom plan view thereof;

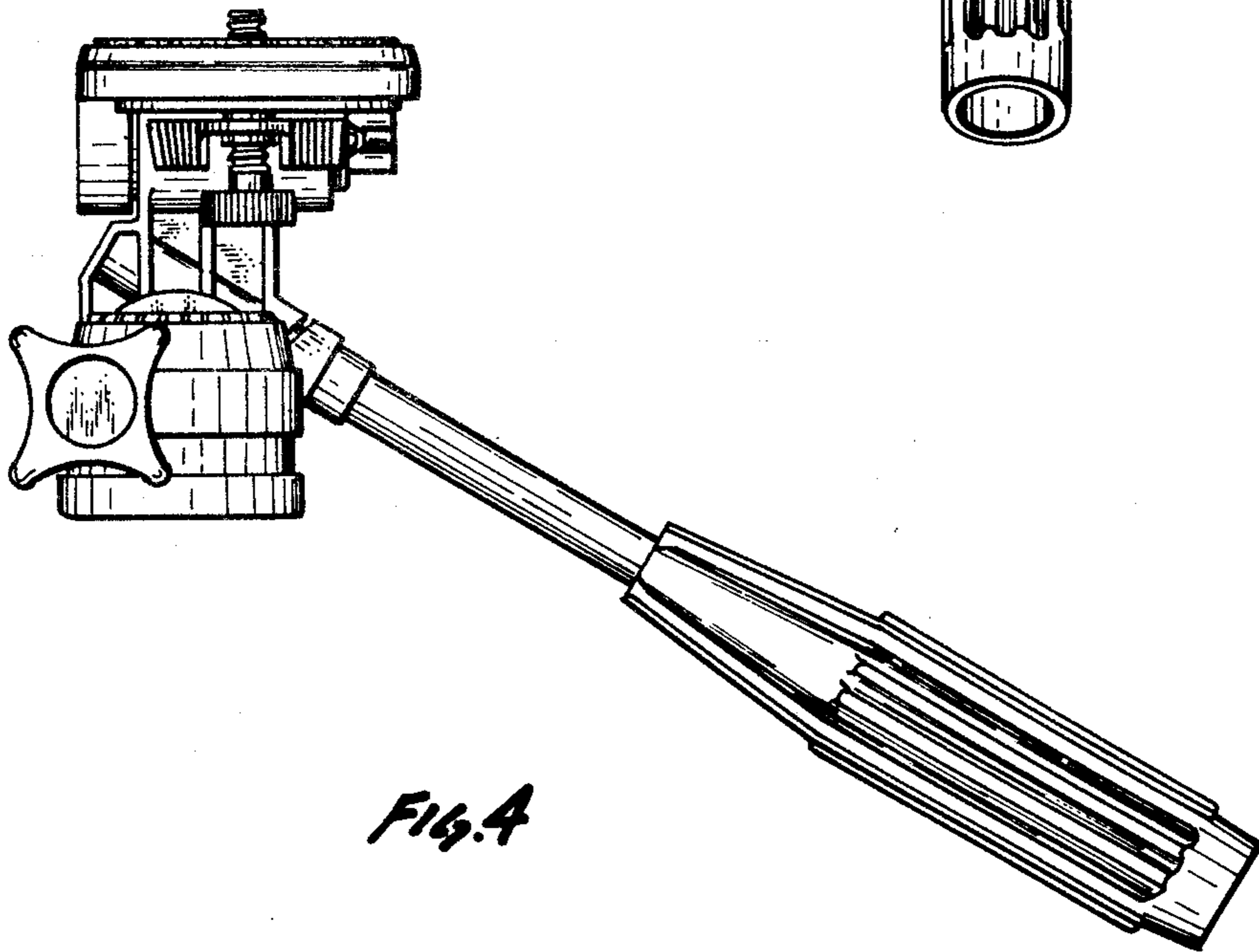
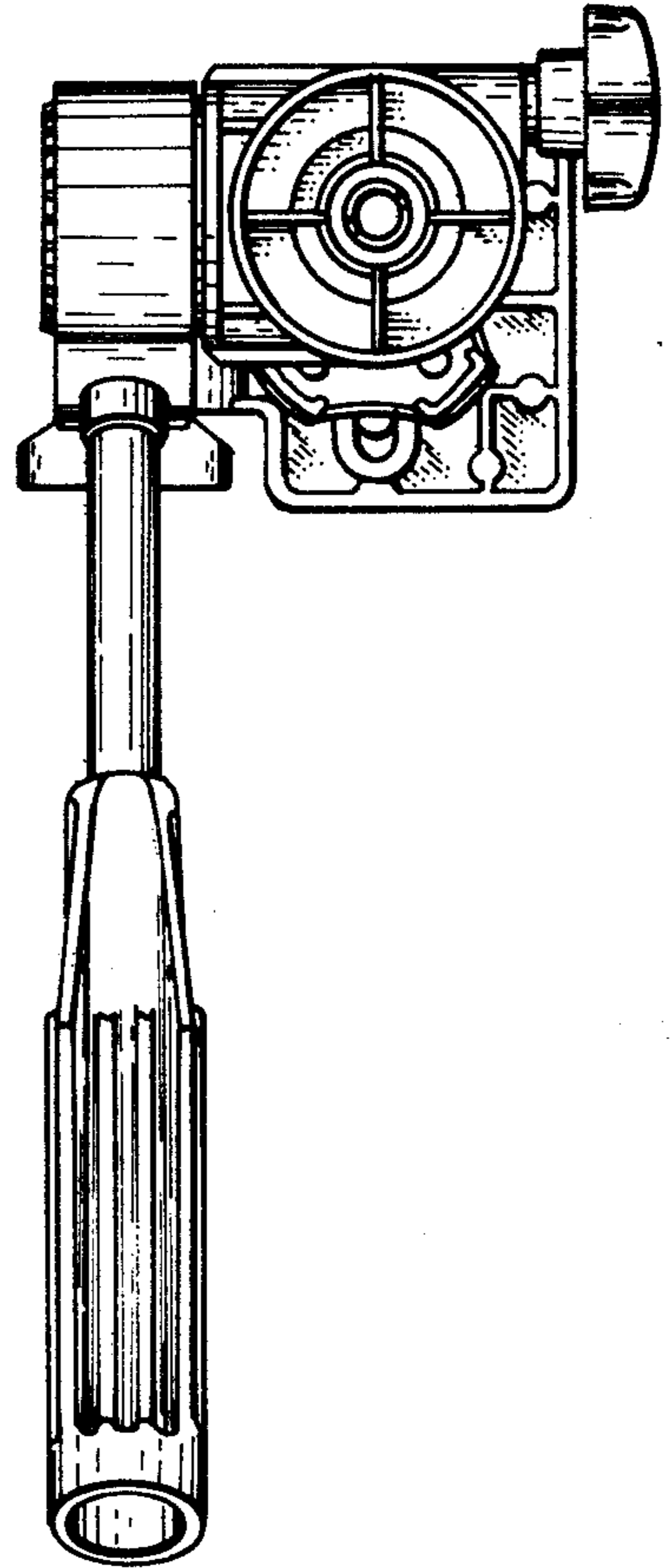
FIG. 4 is a left side elevational view thereof.





*Fig. 1*

*Fig. 3*



*Fig. 4*