

[54] ELECTRONIC CONSOLE FOR THE REMOTE CONTROL OF HOUSE LIGHTS, APPLIANCES AND SIMILAR DEVICES

D. 249,249 9/1978 Gibbs ..... D10/106  
D. 254,436 3/1980 Bakal ..... D14/53  
D. 264,826 6/1982 Conforti et al. .... D10/106

[75] Inventors: John W. Goodin, Long Beach; Charlie A. Patterson, Costa Mesa, both of Calif.

[73] Assignee: Dart Industries Inc., Northbrook, Ill.

[\*\*] Term: 14 Years

[21] Appl. No.: 384,313

[22] Filed: Jun. 2, 1982

[52] U.S. Cl. .... D13/12; D10/106

[58] Field of Search ..... D13/12, 32, 35, 40, D13/41; D10/104, 106; D14/53; 361/331, 332, 334, 360, 380, 390, 391, 392; 174/50, 52 R

[56] References Cited

U.S. PATENT DOCUMENTS

D. 190,994 8/1961 Fruh ..... D10/104  
D. 212,288 9/1968 Erickson ..... D13/32  
D. 239,706 4/1976 Barleen et al. .... D10/106  
D. 241,323 9/1976 Sparks et al. .... D10/106  
D. 241,825 10/1976 Steinhilber ..... D10/106

OTHER PUBLICATIONS

*Popular Science* Dec. 1980, p. 107 Regency's Energy Manager/Housings Box II Exr. Room 4-10B02.

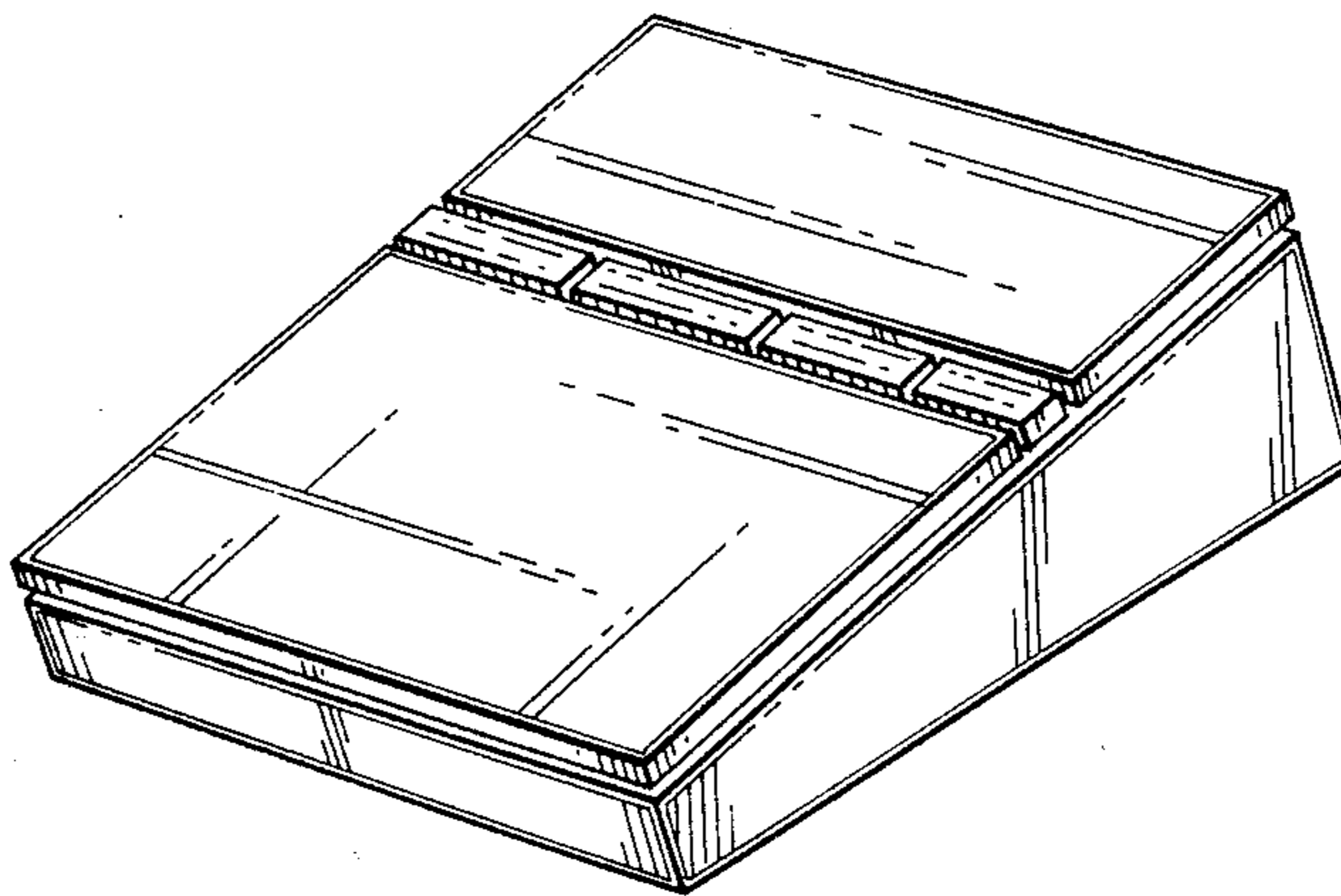
*Primary Examiner*—Wallace R. Burke  
*Assistant Examiner*—Lynn Wilder  
*Attorney, Agent, or Firm*—Gregory J. Mancuso

[57] CLAIM

The ornamental design for an electronic console for the remote control of house lights, appliances and similar devices, substantially as is shown and described.

DESCRIPTION

FIG. 1 is a front perspective view of an electronic console for the remote control of house lights, appliances and similar devices showing our new design; FIG. 2 is a front elevational view thereof; FIG. 3 is a rear elevational view thereof; FIG. 4 is a top plan view thereof; FIG. 5 is a bottom plan view thereof; FIG. 6 is a right side elevational view thereof; and FIG. 7 is a left side elevational view thereof.



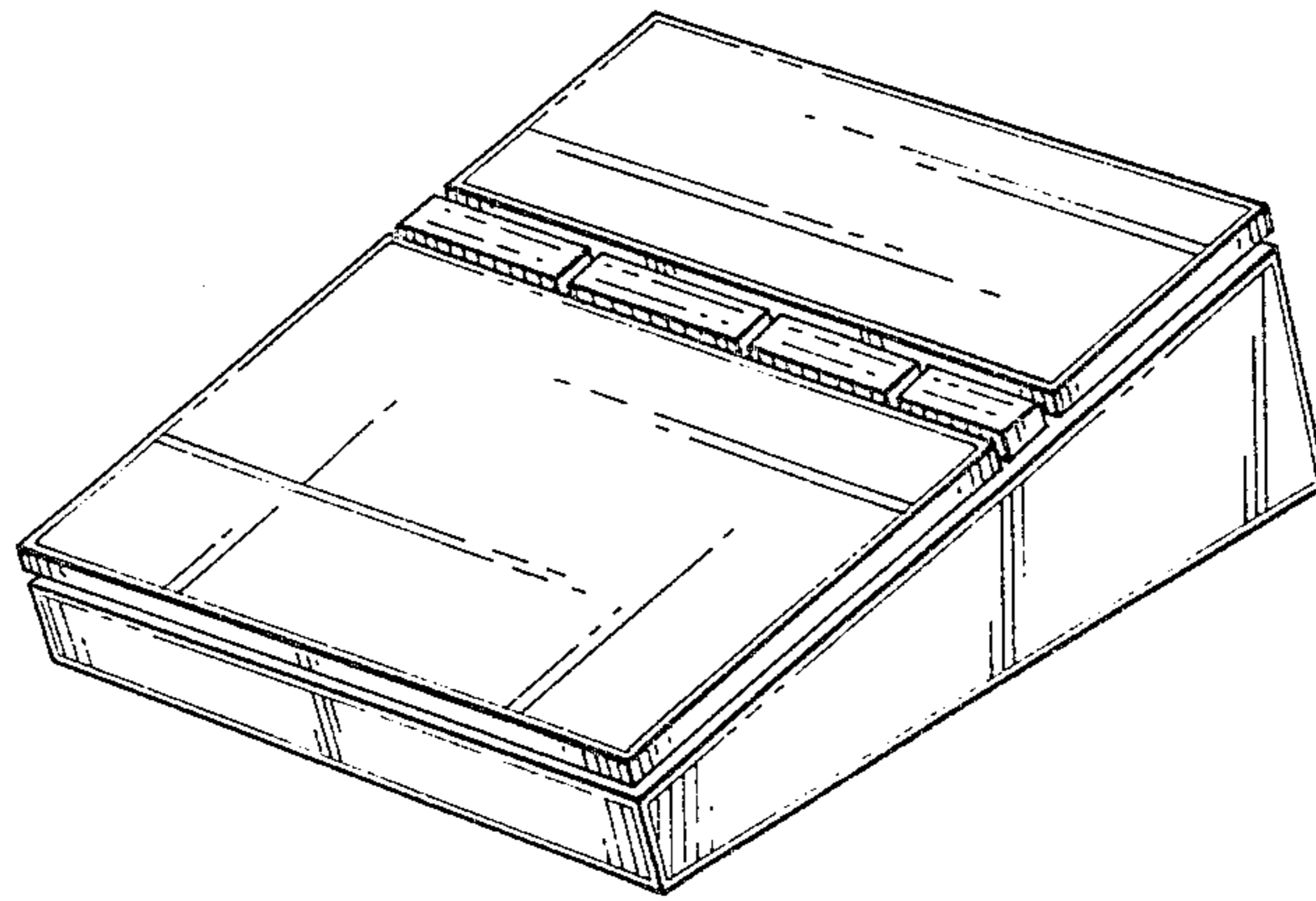


FIG. 1

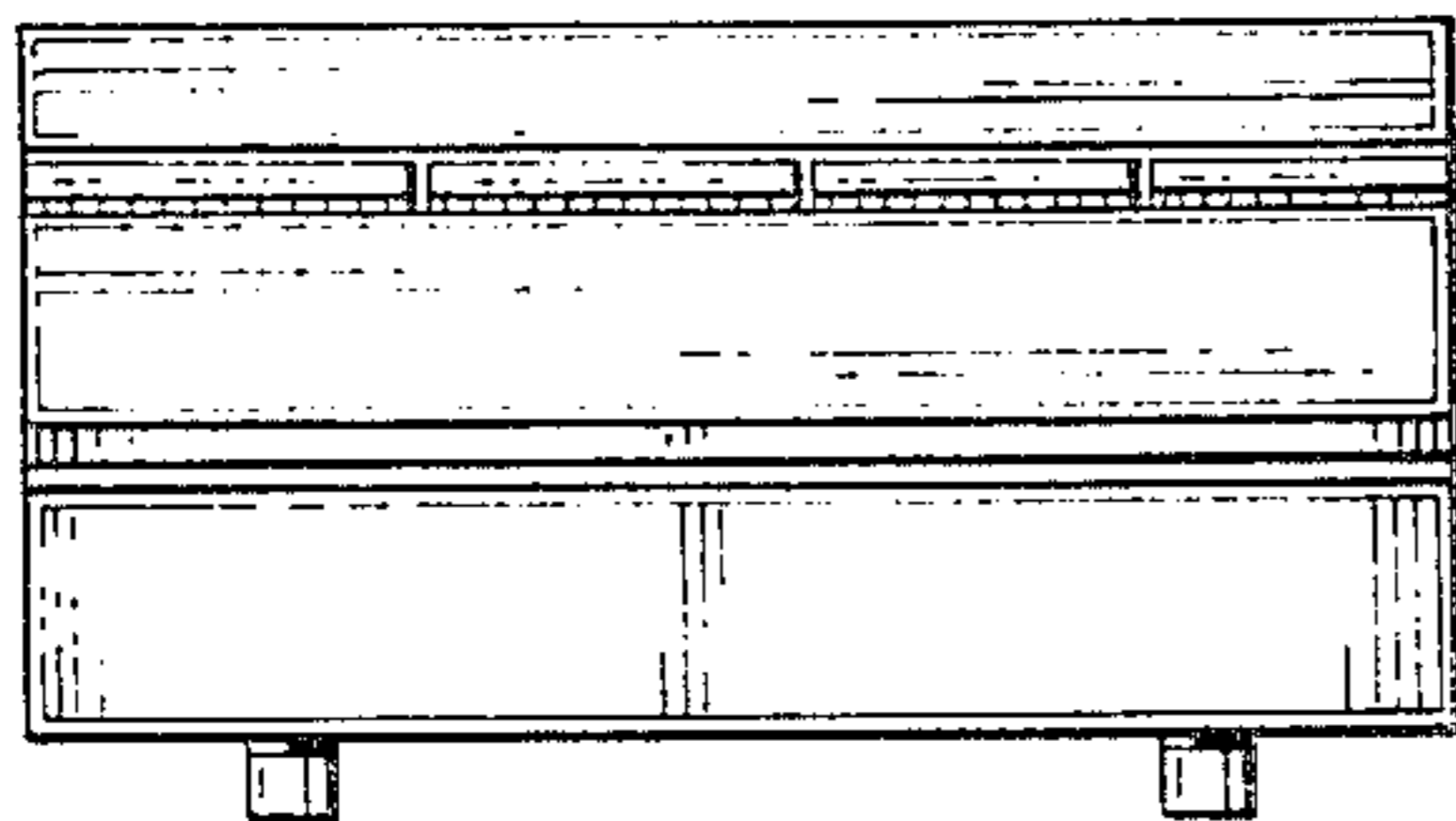


FIG. 2

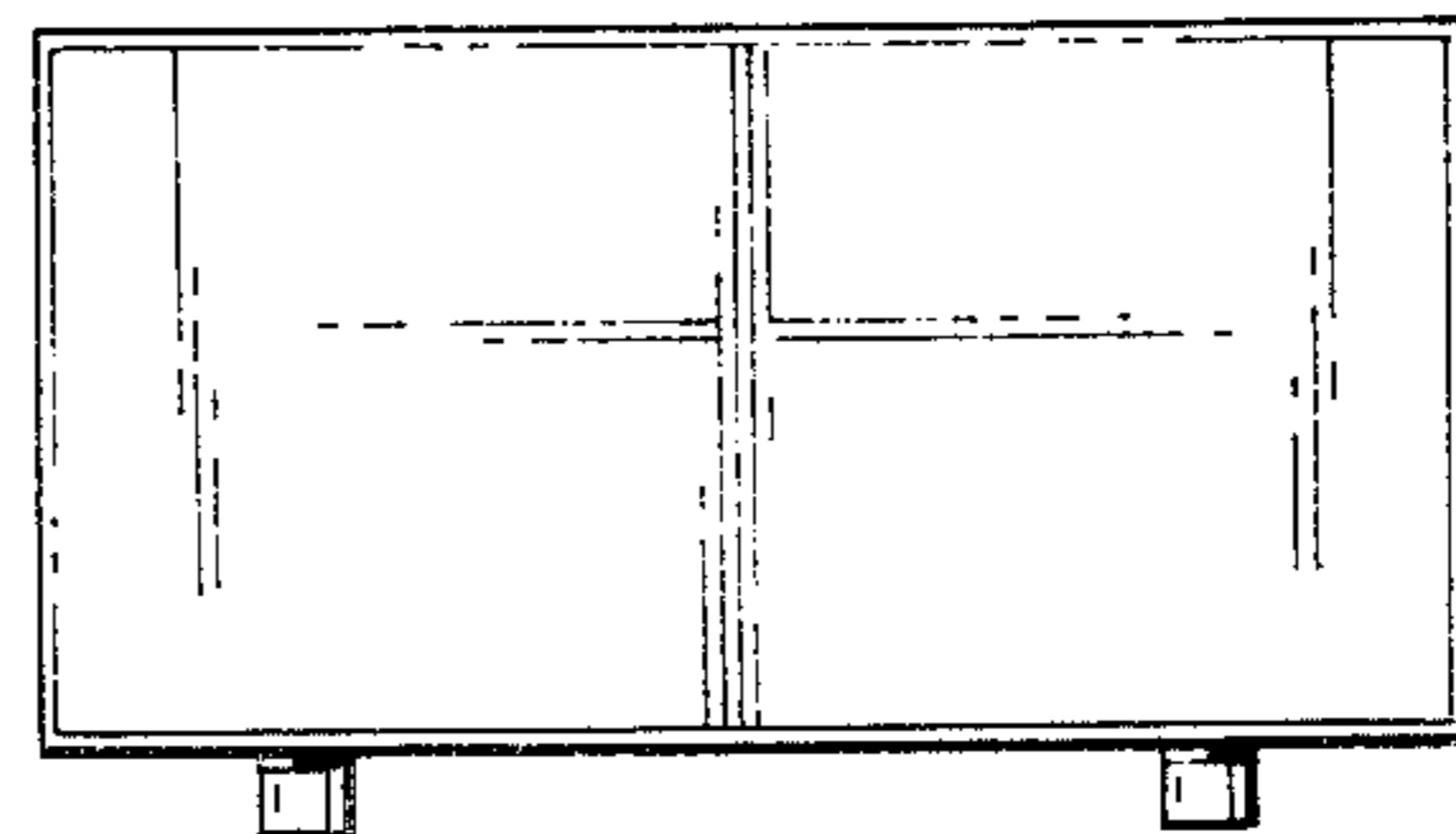


FIG. 3

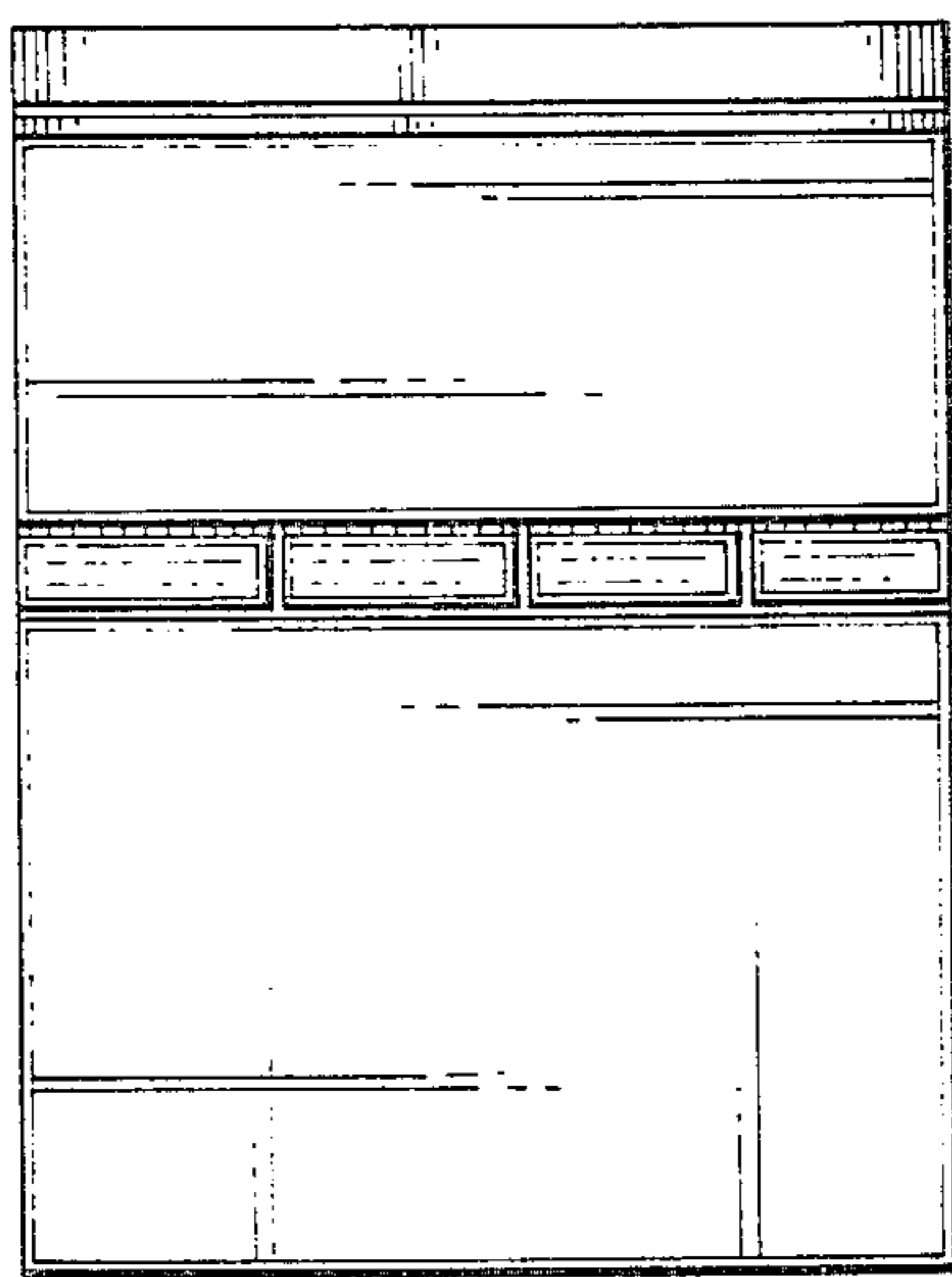


FIG. 4

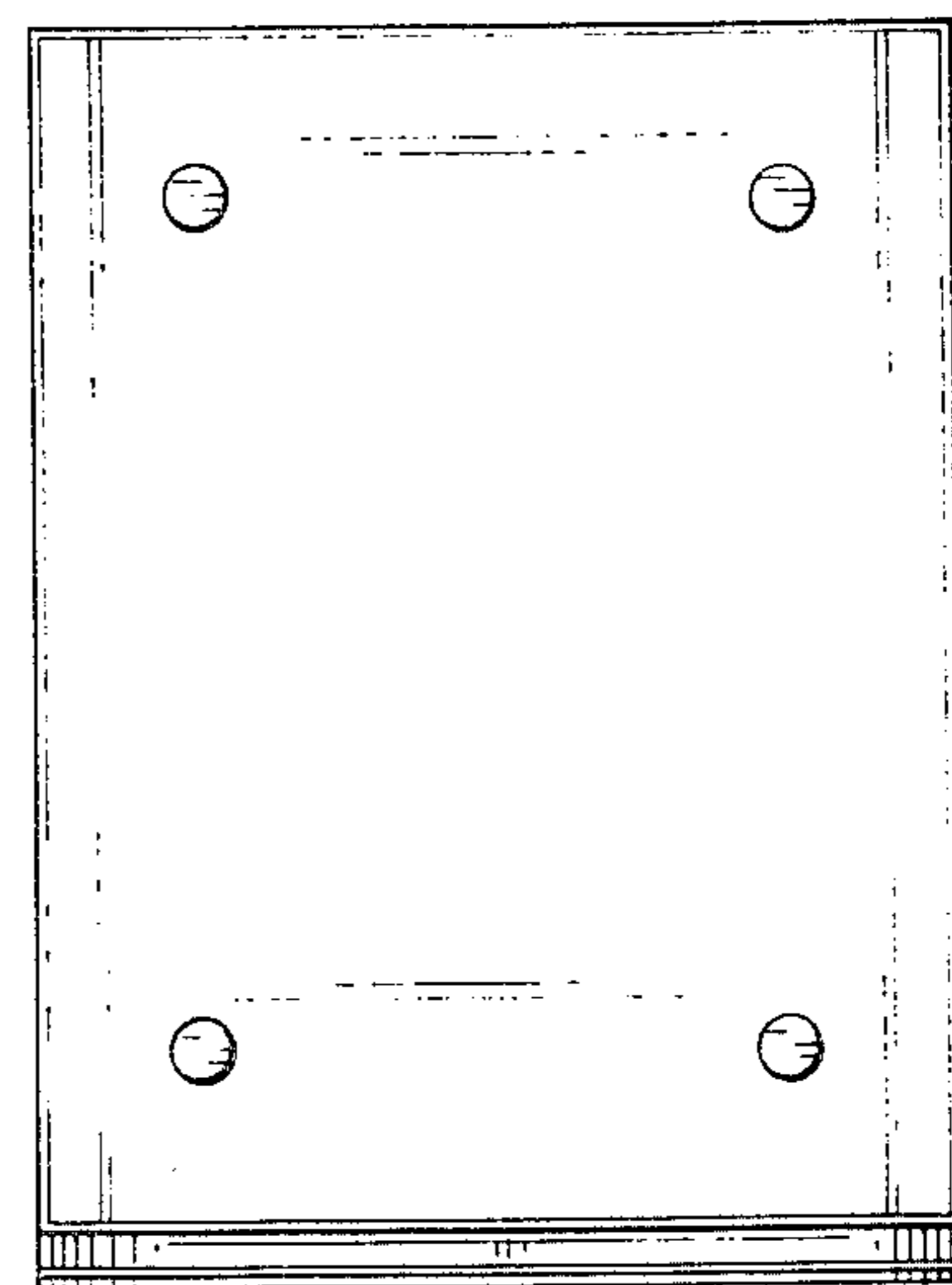


FIG. 5

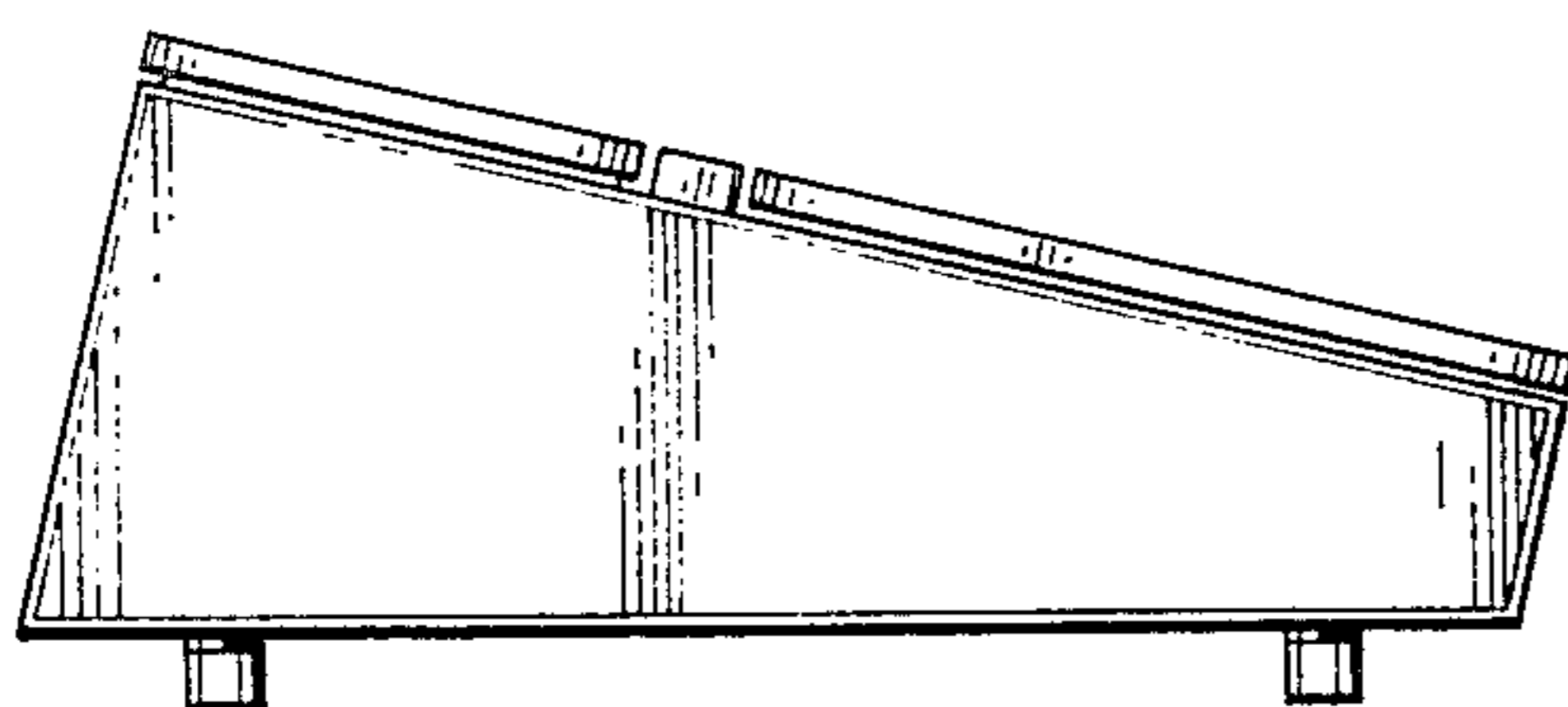


FIG. 6

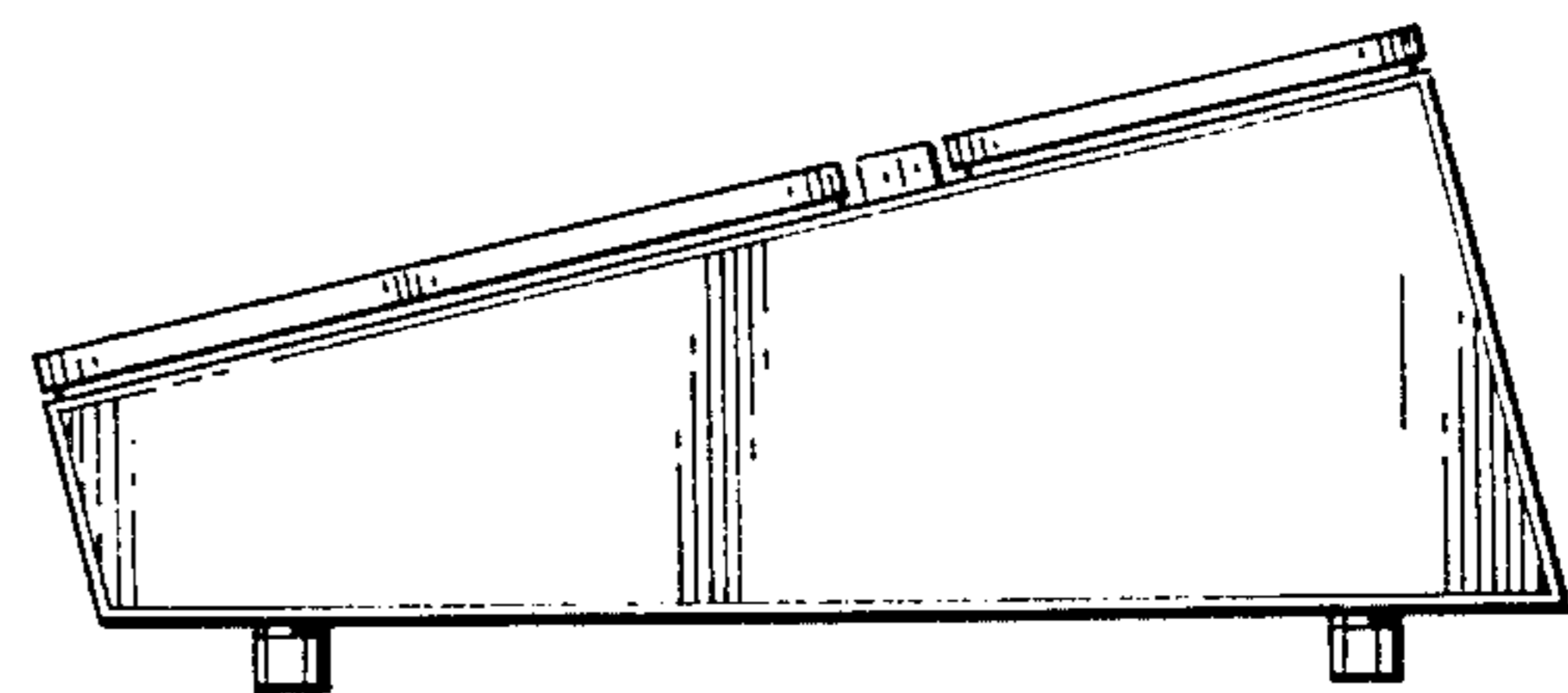


FIG. 7