

[54] FOLDING STEP

[75] Inventor: Donald J. Dignan, South Euclid, Ohio

[73] Assignee: The Eastern Company, Cleveland, Ohio

[**] Term: 14 Years

[21] Appl. No.: 456,370

[22] Filed: Jan. 7, 1983

[52] U.S. Cl. D12/203; D25/62

[58] Field of Search D12/203; D25/62, 69, D25/63; 280/163, 166; 182/89, 91

[56] References Cited

U.S. PATENT DOCUMENTS

194,863 9/1877 Doty 280/163
865,375 9/1907 Frye 182/91

FOREIGN PATENT DOCUMENTS

300482 11/1928 United Kingdom 280/166

OTHER PUBLICATIONS

Eberhard Manufacturing Co. Catalog, ©1978, Section 6, p. 3, No. 575709 folding step, top left side of page.

Primary Examiner—James M. Gandy
Attorney, Agent, or Firm—Watts, Hoffmann, Fisher & Heinke

[57] CLAIM

The ornamental design for a folding step, as shown and described.

DESCRIPTION

FIG. 1 is a perspective view of a folding step showing my design;
FIG. 2 is a side elevational view thereof;
FIG. 3 is a top plan view thereof;
FIG. 4 is a bottom plan view thereof;
FIG. 5 is a front elevational view thereof; and
FIG. 6 is a rear elevational view thereof.

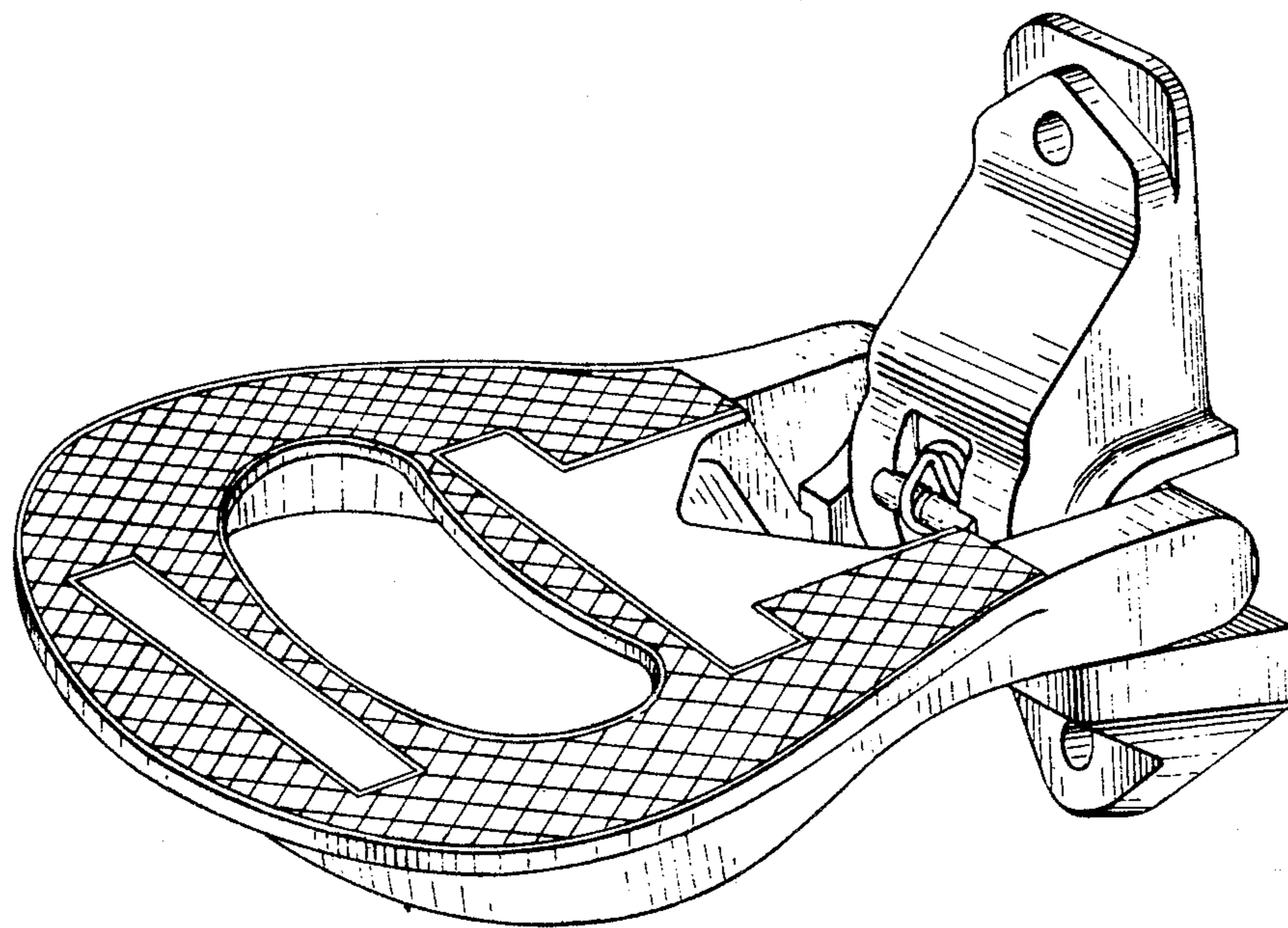
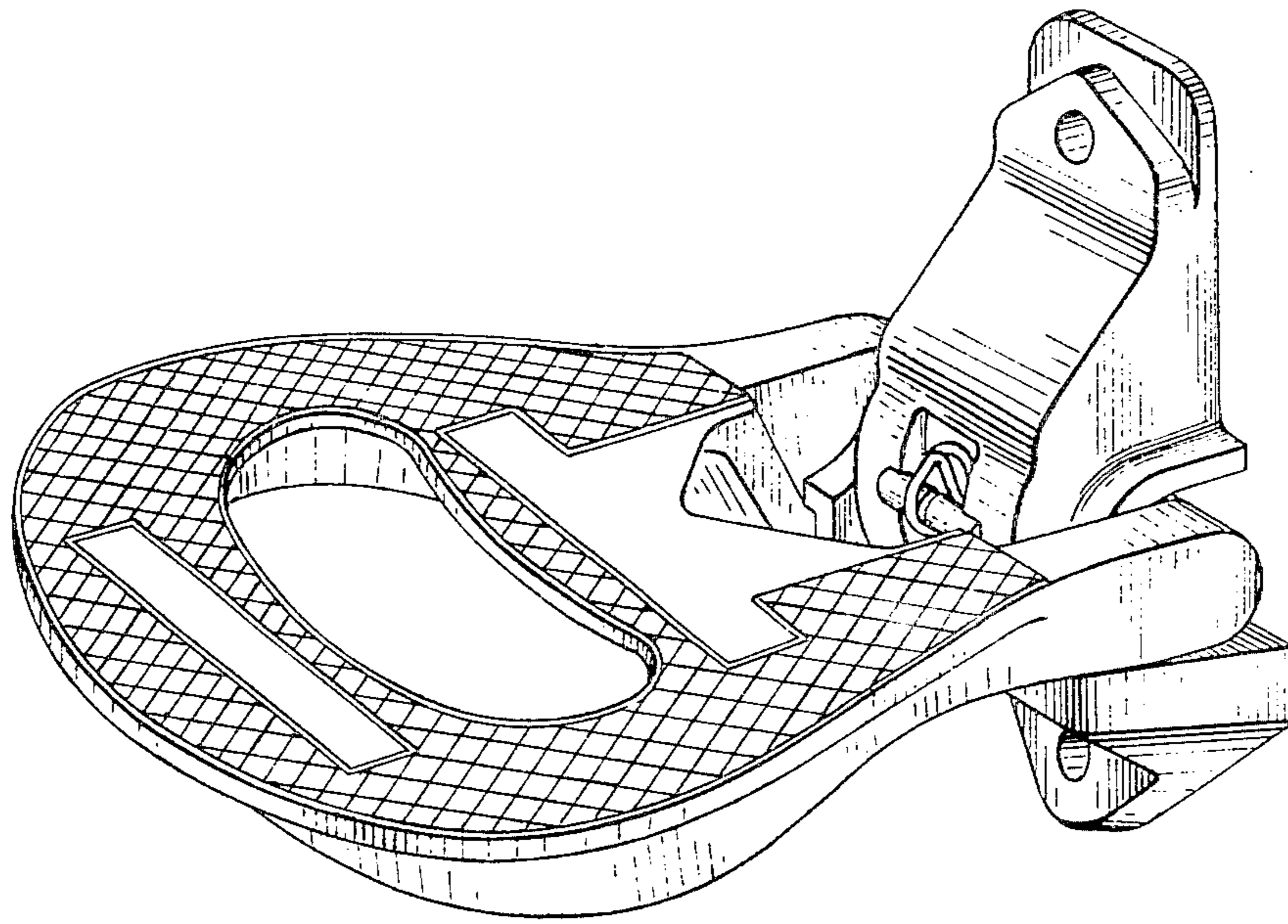


Fig. 1



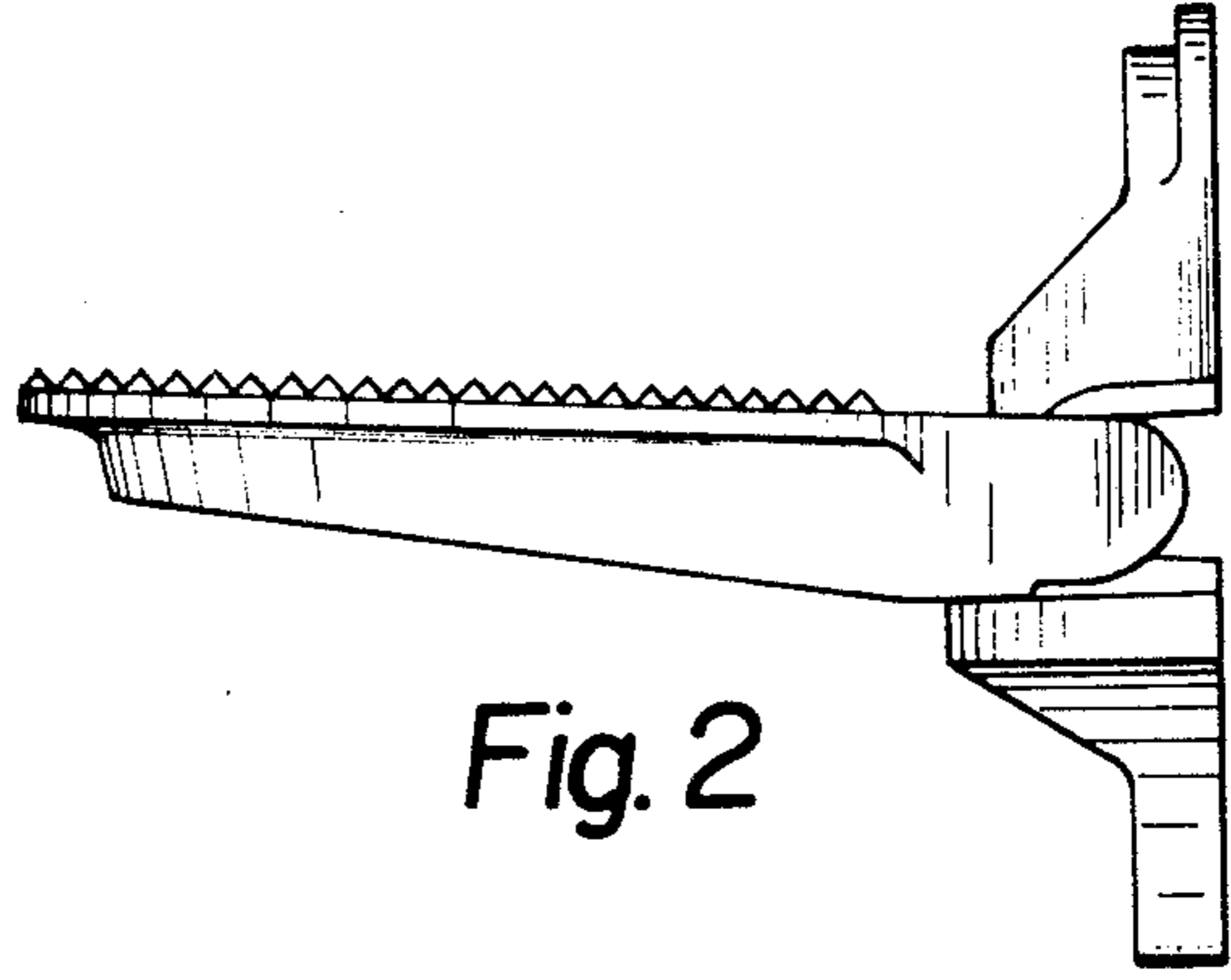


Fig. 2

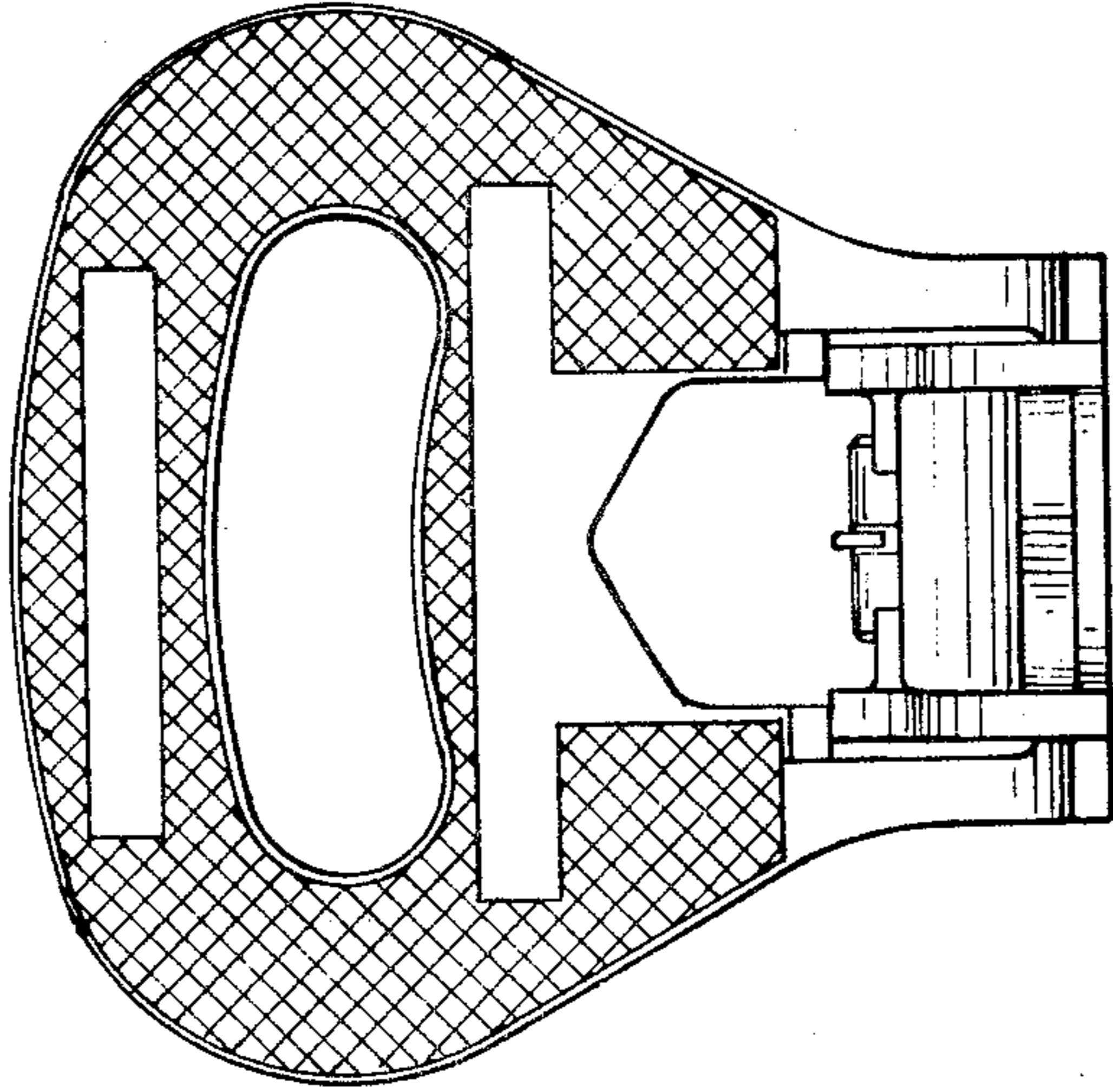


Fig. 3

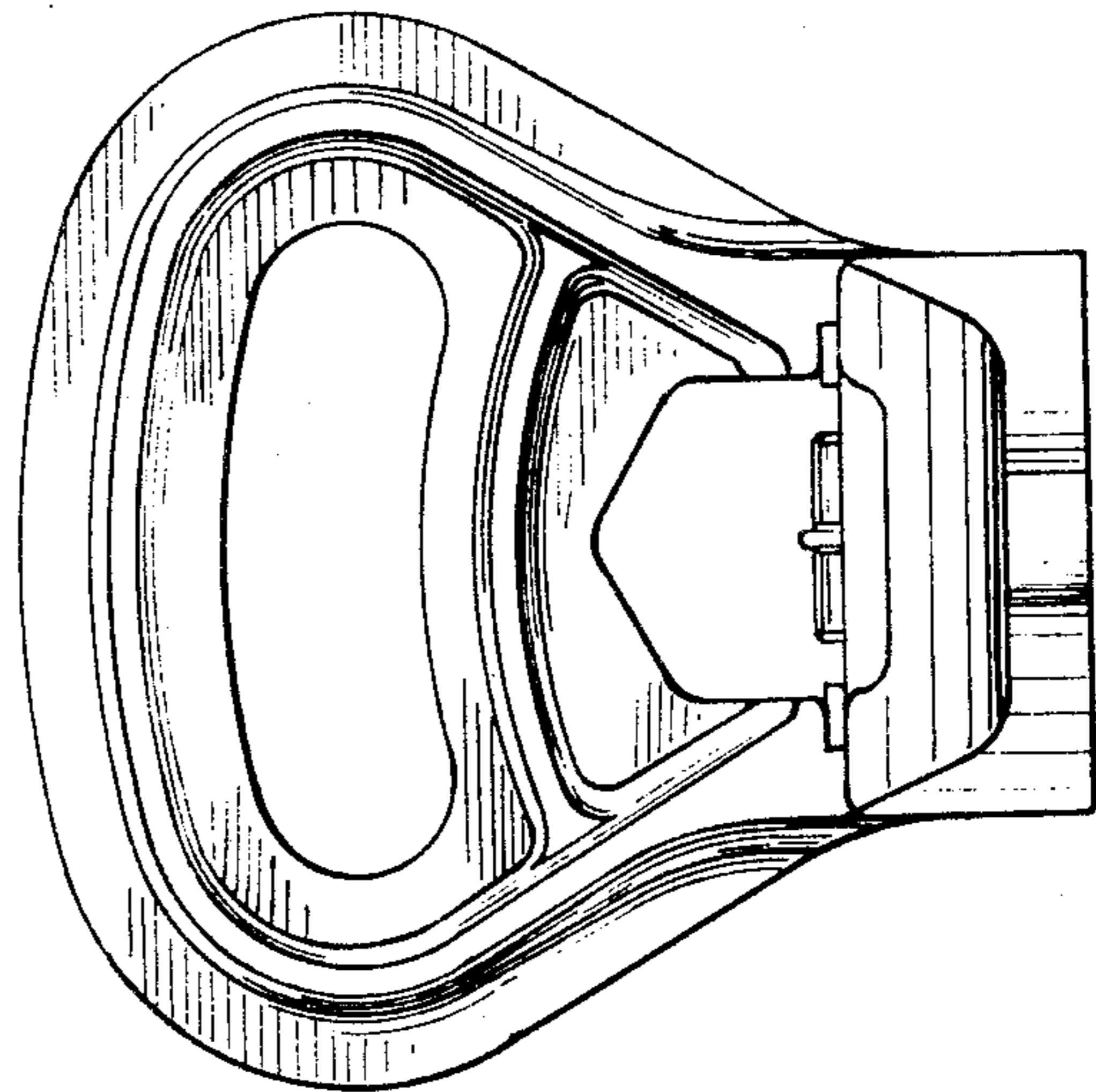


Fig. 4

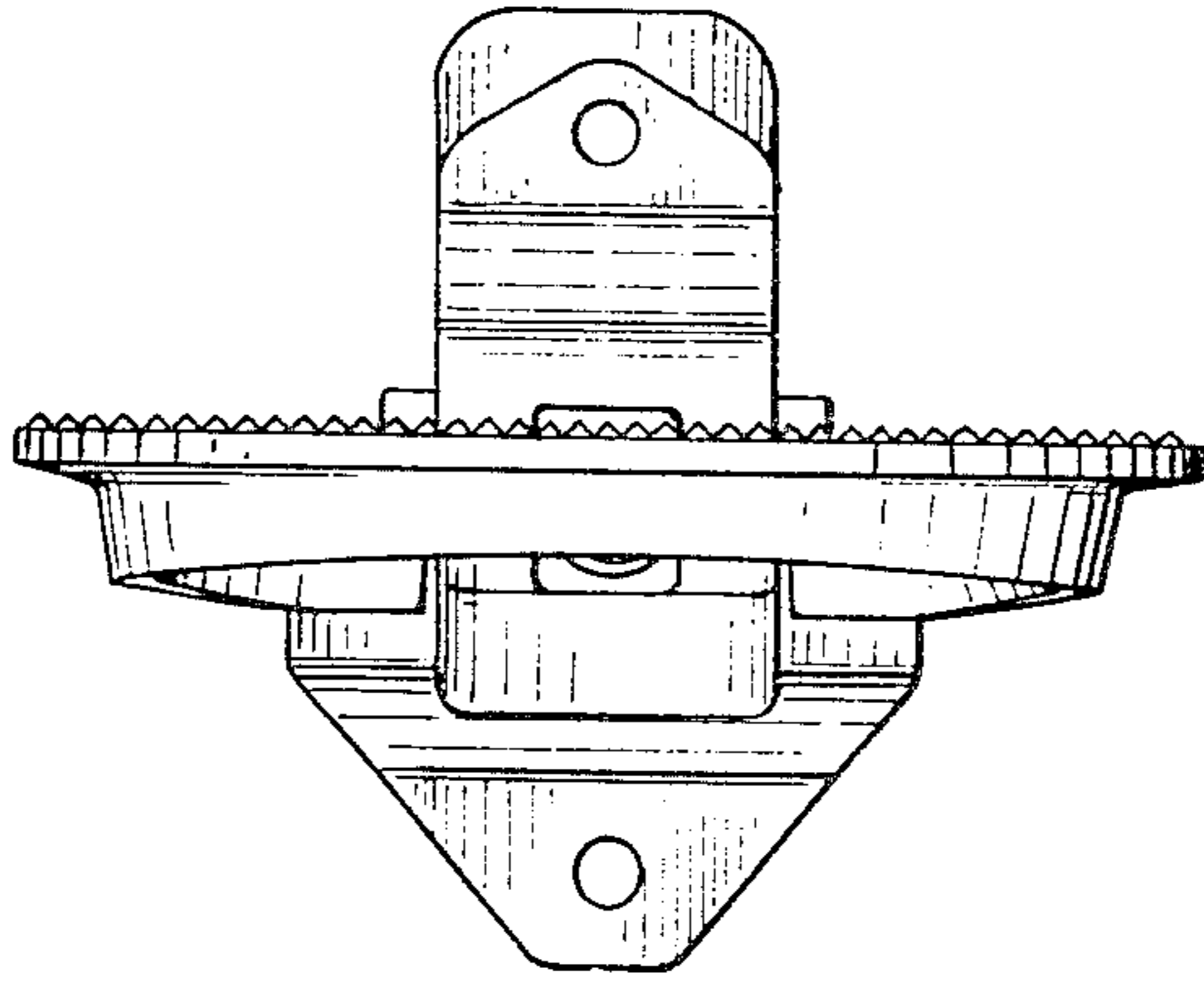


Fig. 5

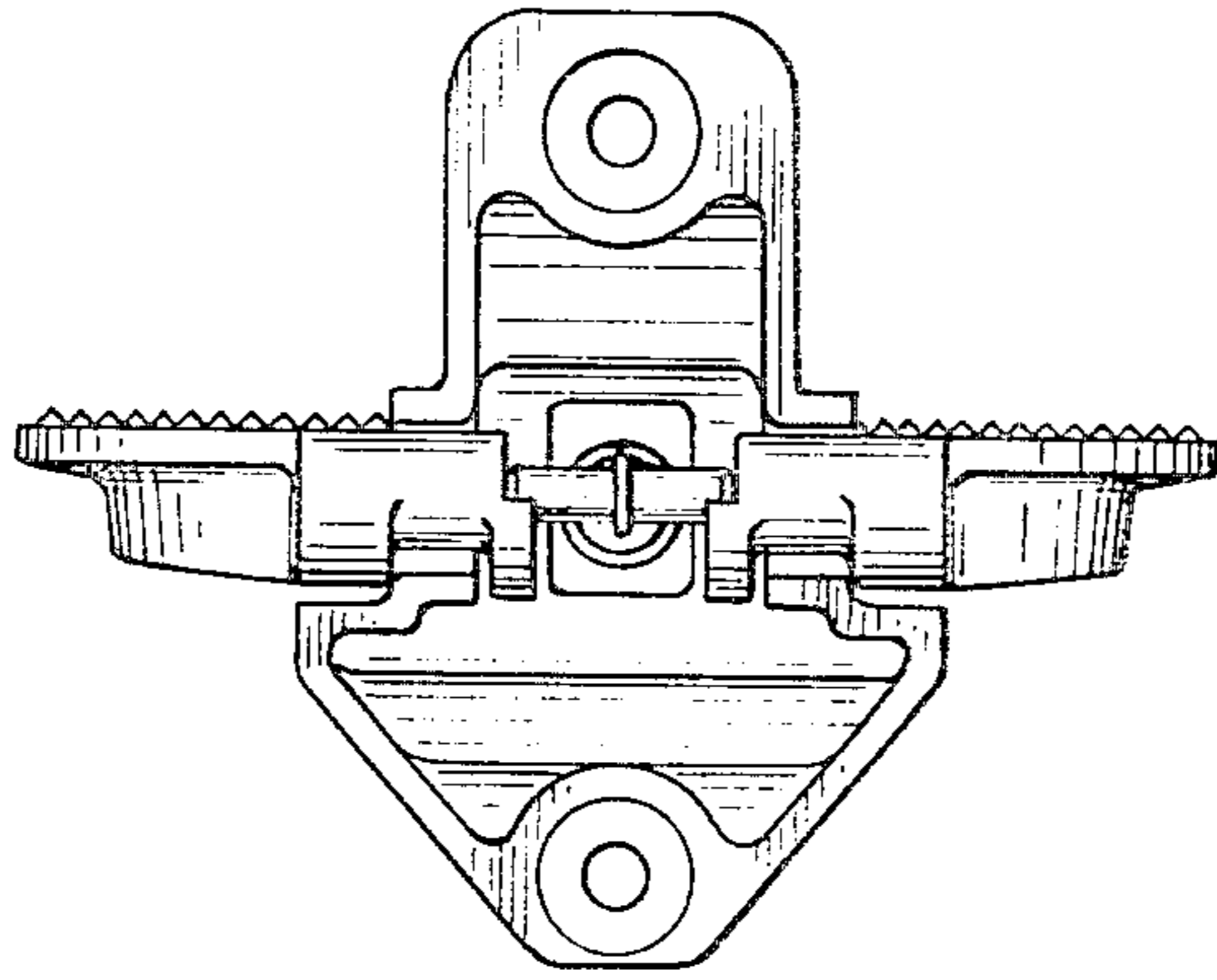


Fig. 6