

[54] PORTABLE BURGLAR ALARM

[75] Inventor: Starr Parker, Loveland, Colo.

[73] Assignee: Starr Security Systems, Inc., Loveland, Colo.

[**] Term: 14 Years

[21] Appl. No.: 319,201

[22] Filed: Nov. 9, 1981

[52] U.S. Cl. D10/106; D10/116; D10/120

[58] Field of Search D10/116, 118, 121, 120; D6/177, 179; 340/392, 815.21, 404, 405

[56] References Cited

U.S. PATENT DOCUMENTS

D. 109,540	5/1938	Archer	D10/111
D. 139,719	12/1944	Davis	D6/179
D. 245,447	8/1977	Brudy et al.	D10/121
D. 251,878	5/1979	Hade	D6/177
D. 253,401	11/1979	Benson et al.	D10/120

OTHER PUBLICATIONS

Heathkit, 1977, p. 22, Siren 2, # kit GDA-1157-1, bottom left corner, (Box-Signals) & Megaphone/p. 22, Yelp Alarm, Kit GD-1818, top right corner. California House, 1973, p. 2, Chow Table, #201, in upper left corner, box C-26.

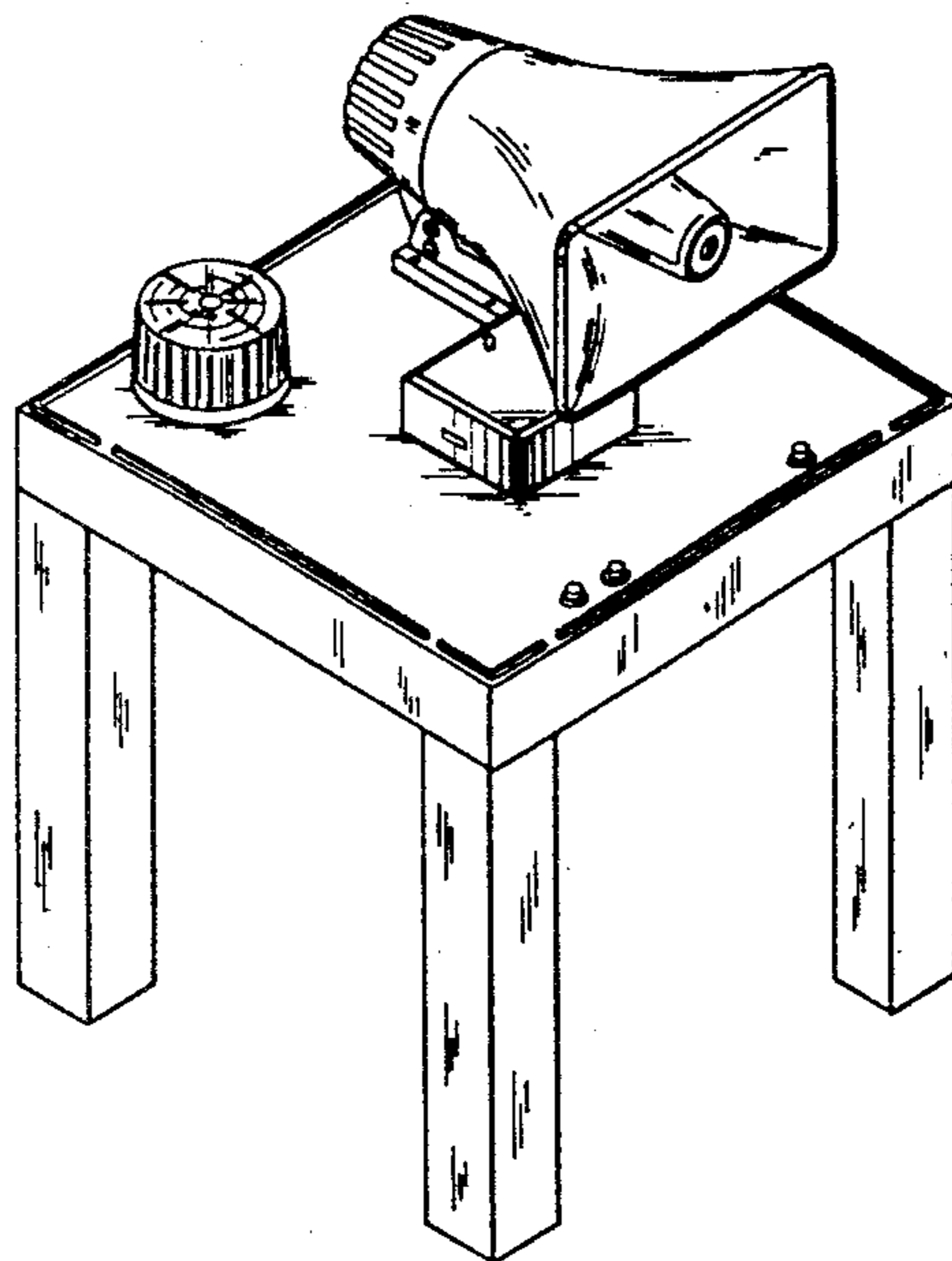
Primary Examiner—Wallace R. Burke
Assistant Examiner—Suzanne N. Gitlin
Attorney, Agent, or Firm—William E. Hein

[57] CLAIM

The ornamental design for a portable burglar alarm, as shown.

DESCRIPTION

FIG. 1 is a right front perspective view of a portable burglar alarm showing my new design; FIG. 2 is a top plan view thereof; FIG. 3 is a front elevation view thereof; FIG. 4 is a right elevation view thereof; FIG. 5 is a left elevation view thereof; and FIG. 6 is a rear elevation view thereof.



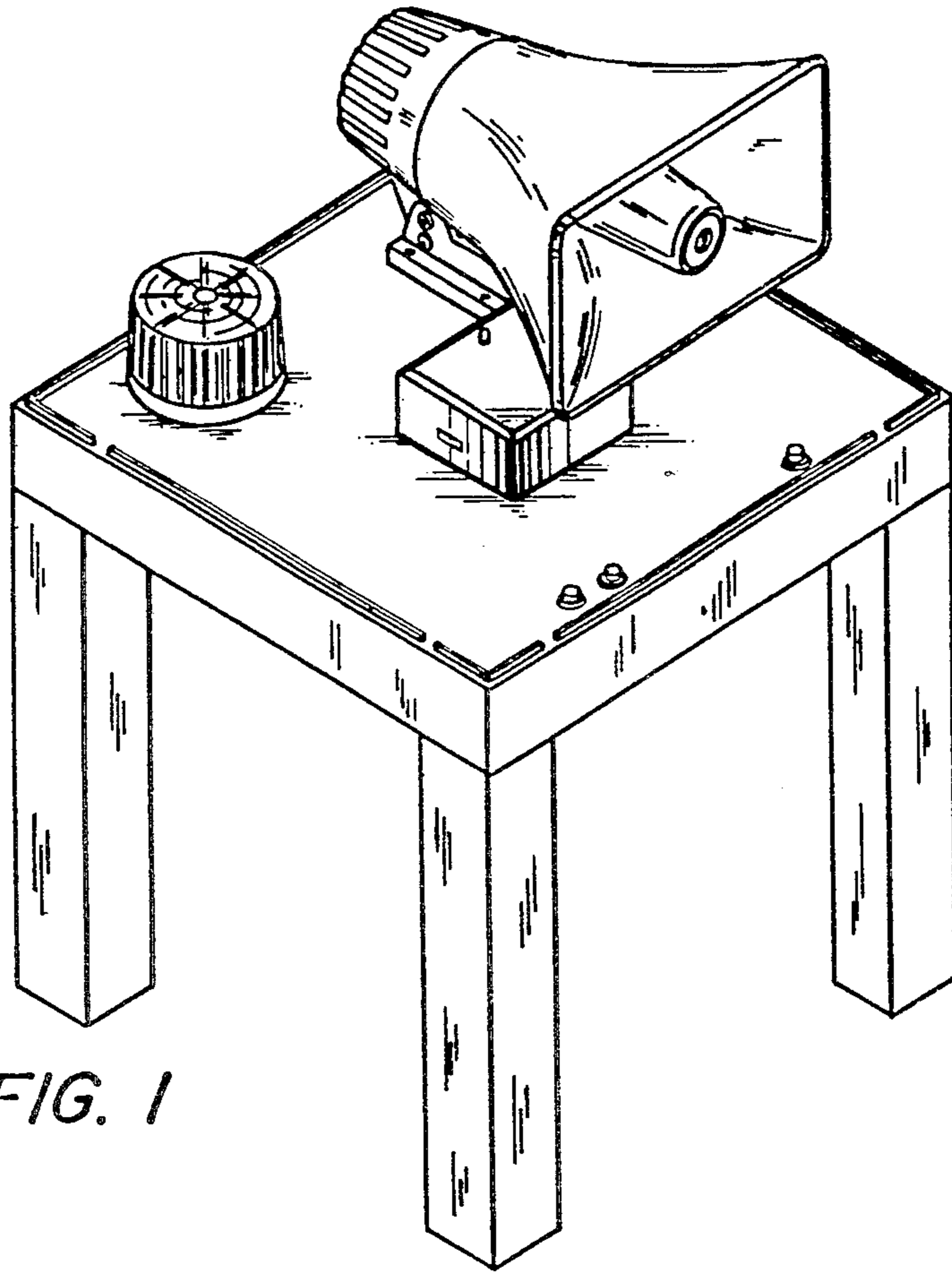


FIG. 1

