

[54] **EGG-SHAPED TIMER**

[75] Inventor: **Lucio Oliveri, Milan, Italy**

[73] Assignee: **Italora S.p.A., Milan, Italy**

[**] Term: **14 Years**

[21] Appl. No.: **343,979**

[22] Filed: **Jan. 29, 1982**

[30] **Foreign Application Priority Data**

Sep. 17, 1981 [IT] Italy 22961/B81

[52] U.S. Cl. **D10/40; D10/6**

[58] Field of Search **D10/1, 2, 6, 22, 40; 368/107, 108, 285, 276-278, 318, 280-282, 285**

[56] **References Cited**

U.S. PATENT DOCUMENTS

- D. 184,300 1/1959 Boldt D10/40
- 225,785 3/1880 Beattie D7/56 X
- D. 236,697 9/1975 Draghi D10/6 X

OTHER PUBLICATIONS

National Jeweler, 1/1973, p. 51—Egg-Shaped Endura Alarm Clock.

Primary Examiner—Louis S. Zarfes
Attorney, Agent, or Firm—Young & Thompson

[57] **CLAIM**

The ornamental design for an egg-shaped timer, as shown and described.

DESCRIPTION

FIG. 1 is a side elevational view of an egg-shaped timer showing my new design;

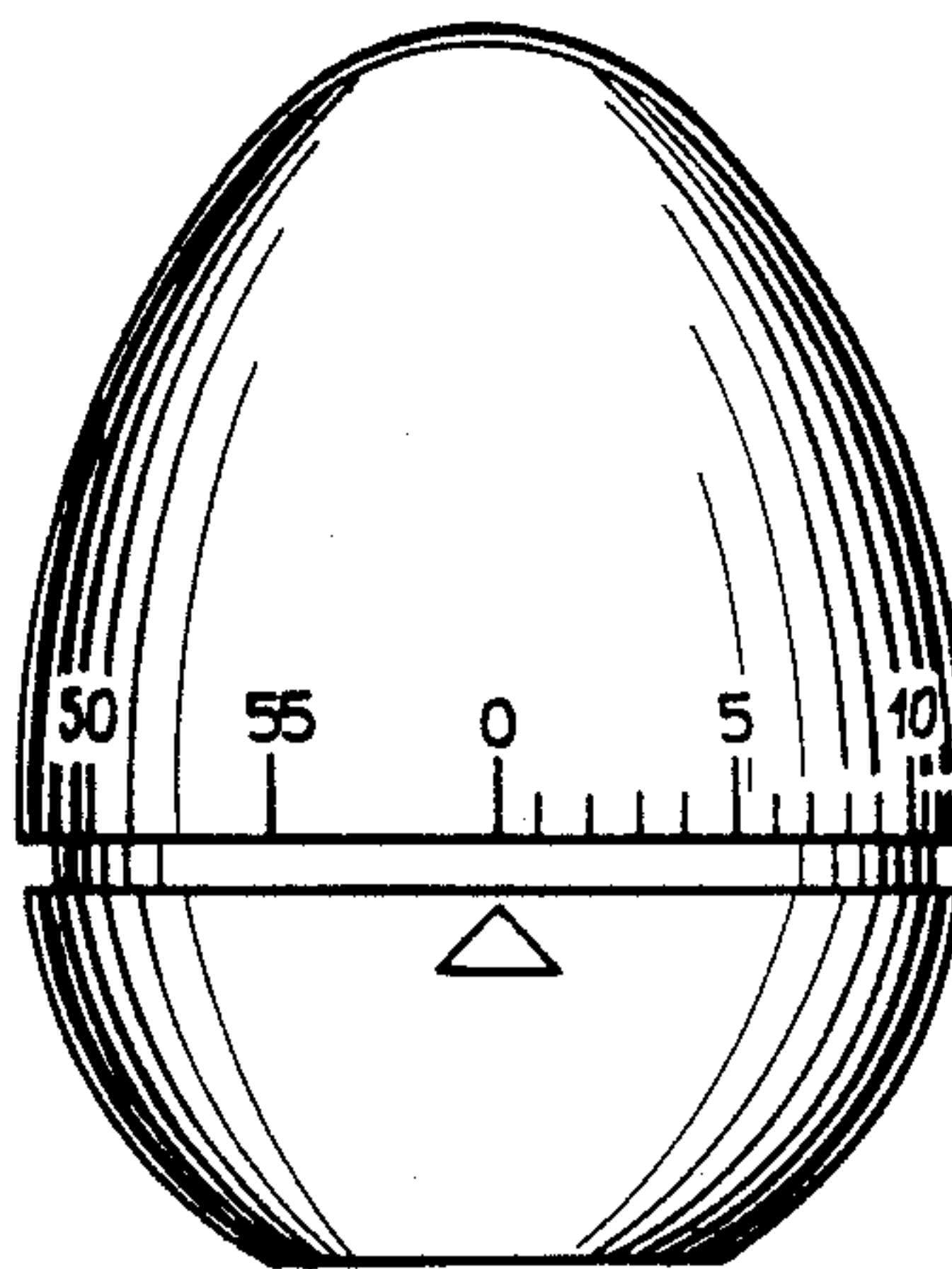
FIG. 2 is a view similar to FIG. 1, but rotated 90° about a vertical axis;

FIG. 3 is a view similar to FIG. 2, but rotated a further 90° about the same vertical axis in the same direction;

FIG. 4 is a view similar to FIG. 3, but rotated a still further 90° about the same vertical axis in the same direction;

FIG. 5 is a top plan view thereof; and

FIG. 6 is a bottom plan view thereof.



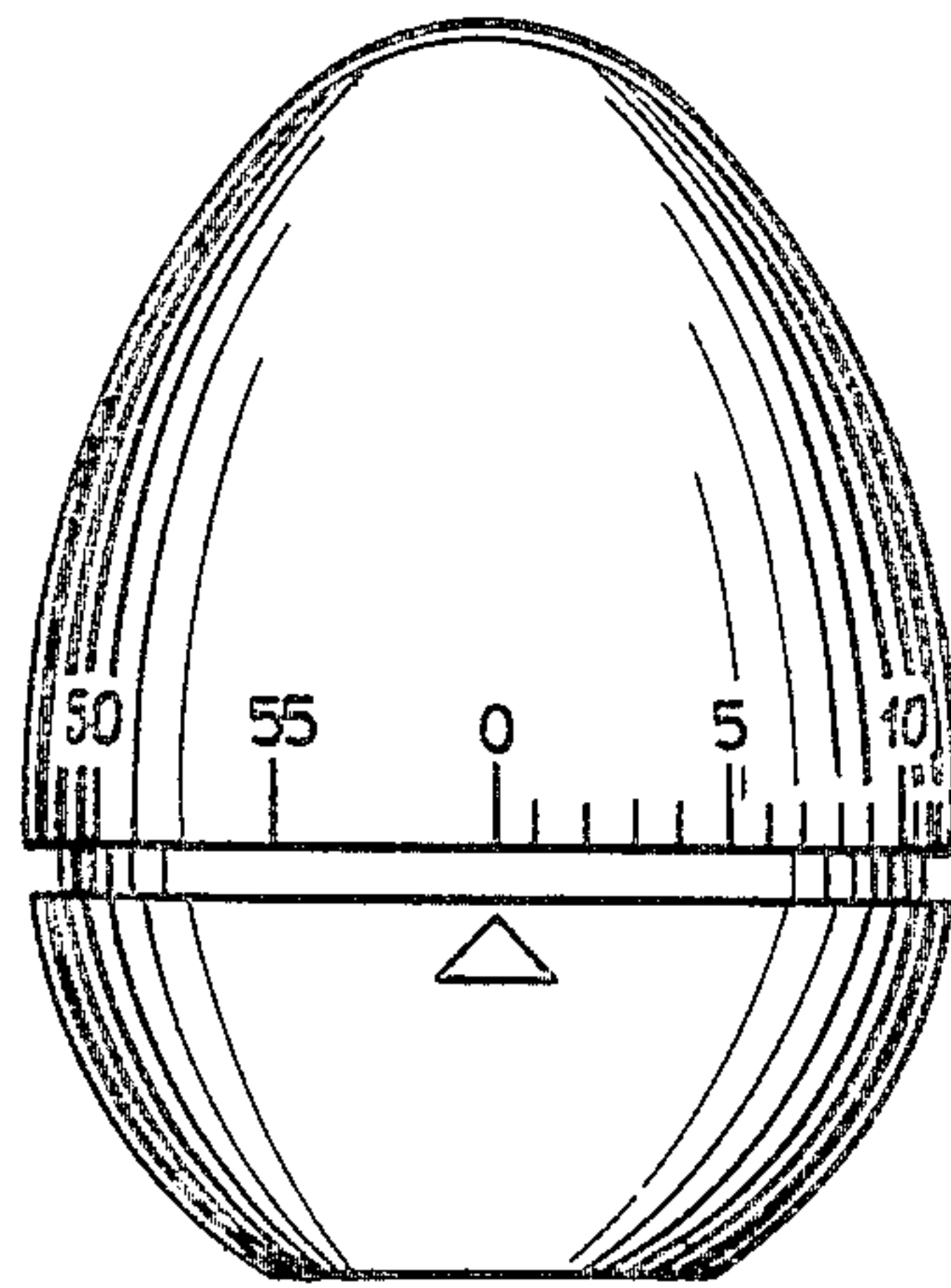


FIG. 1

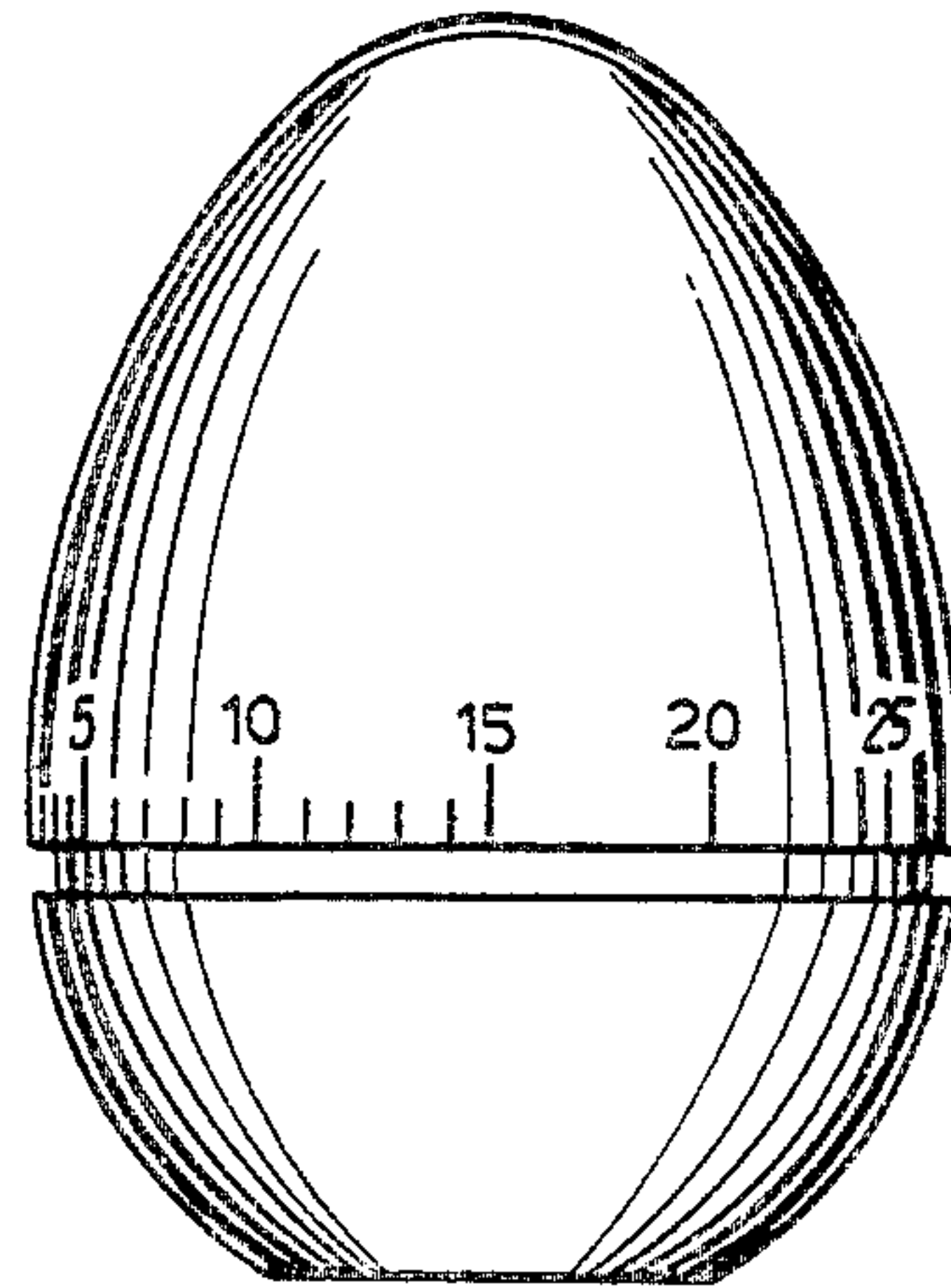


FIG. 2

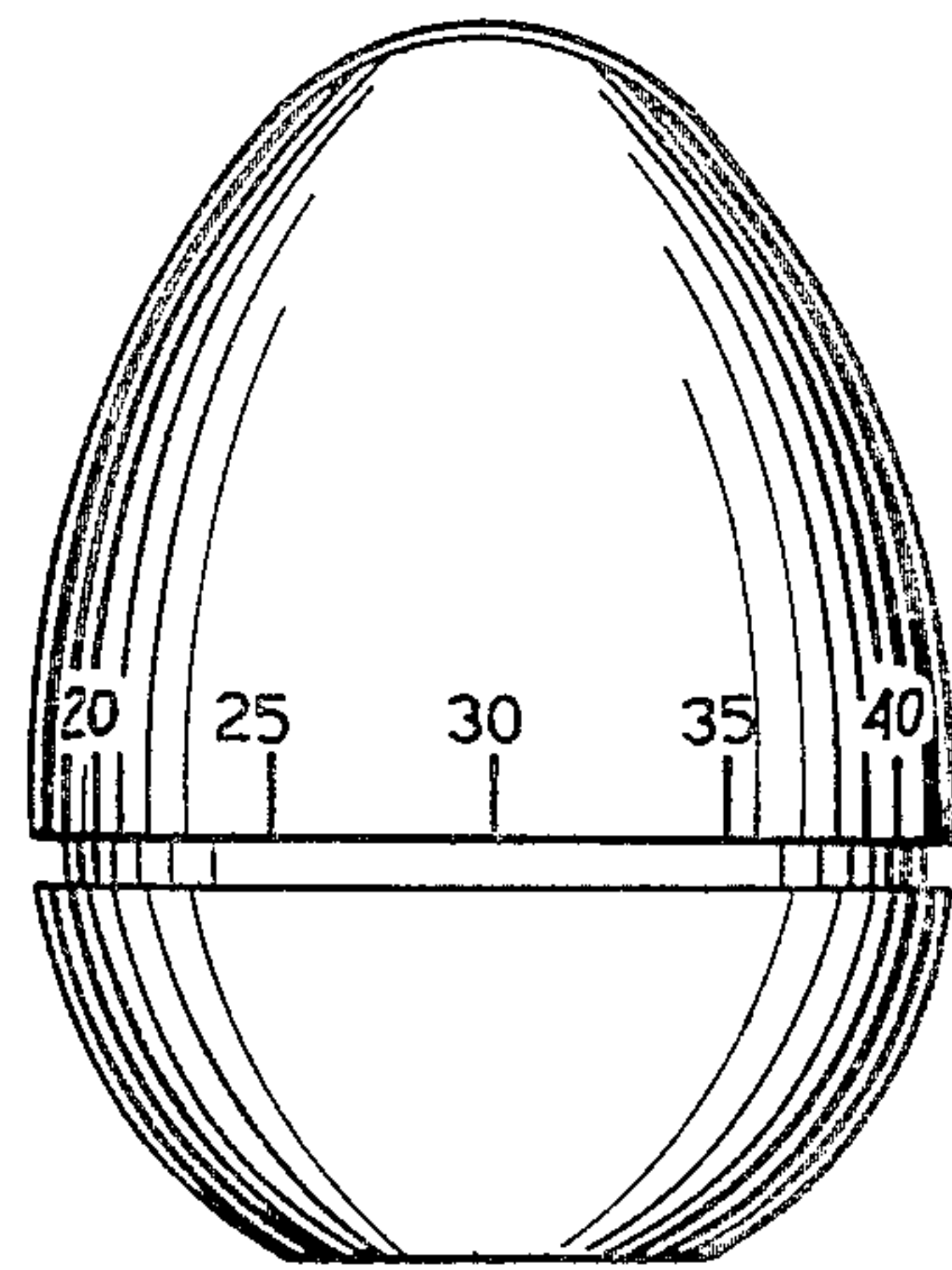


FIG. 3

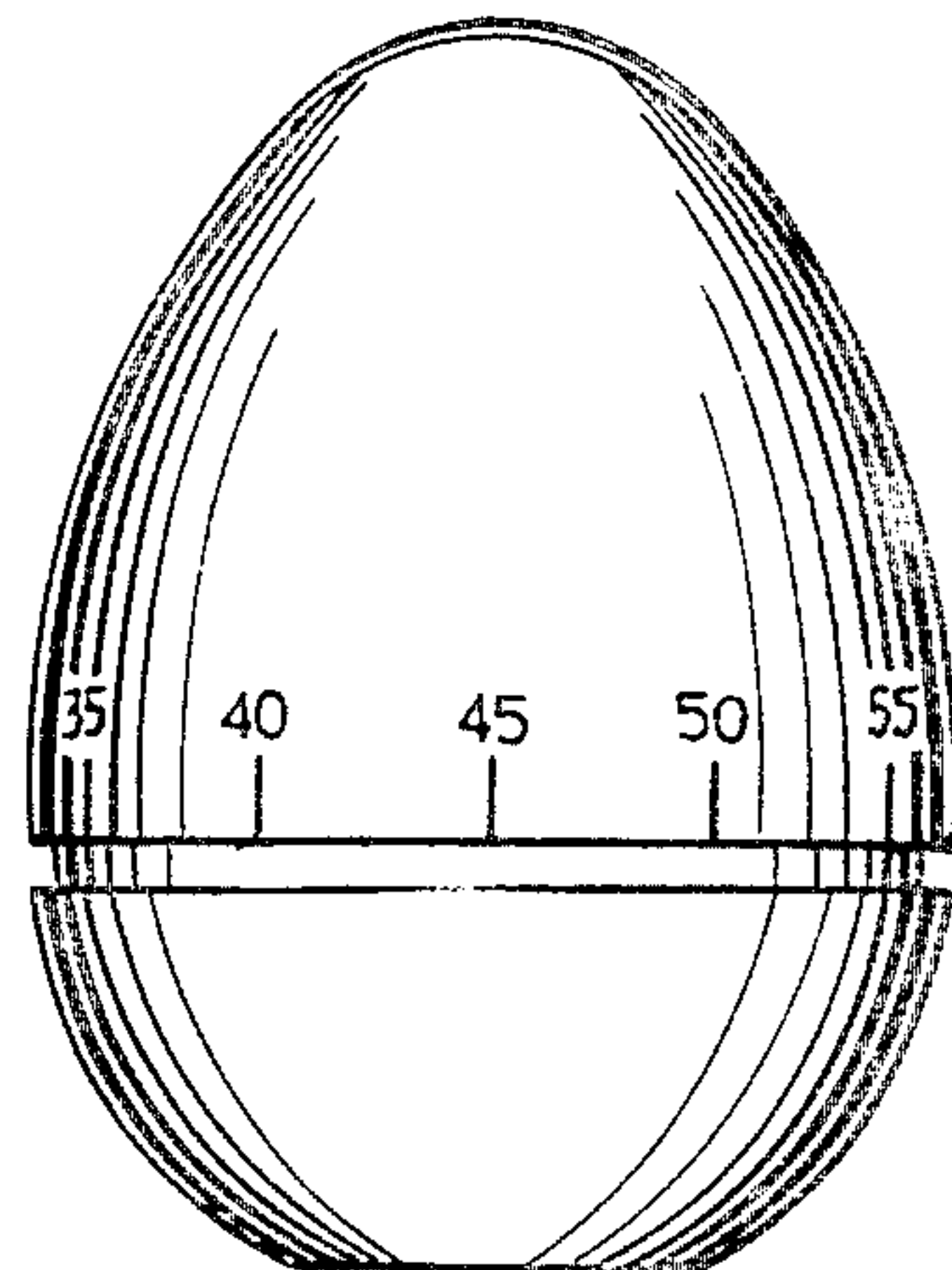


FIG. 4

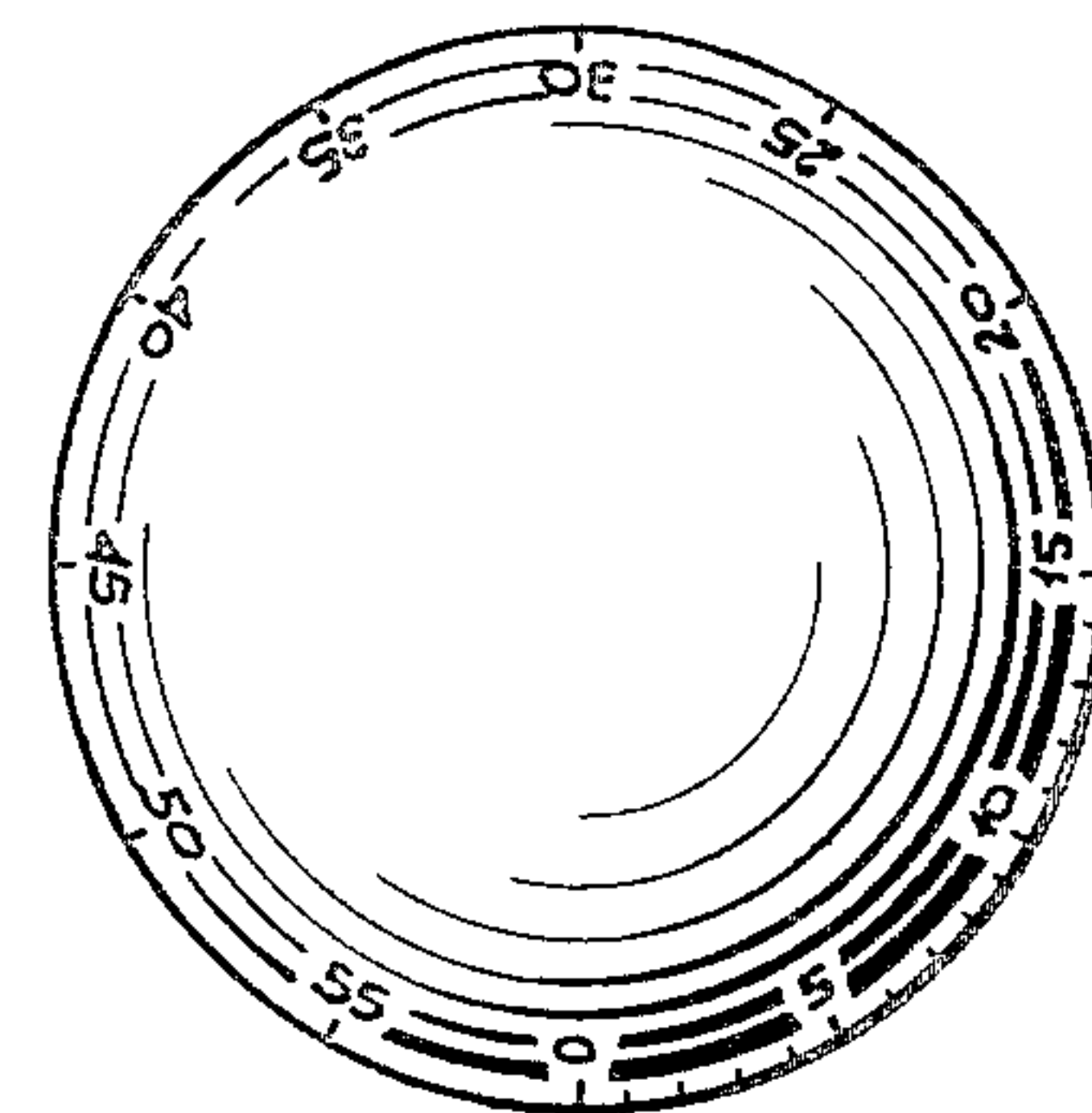


FIG. 5

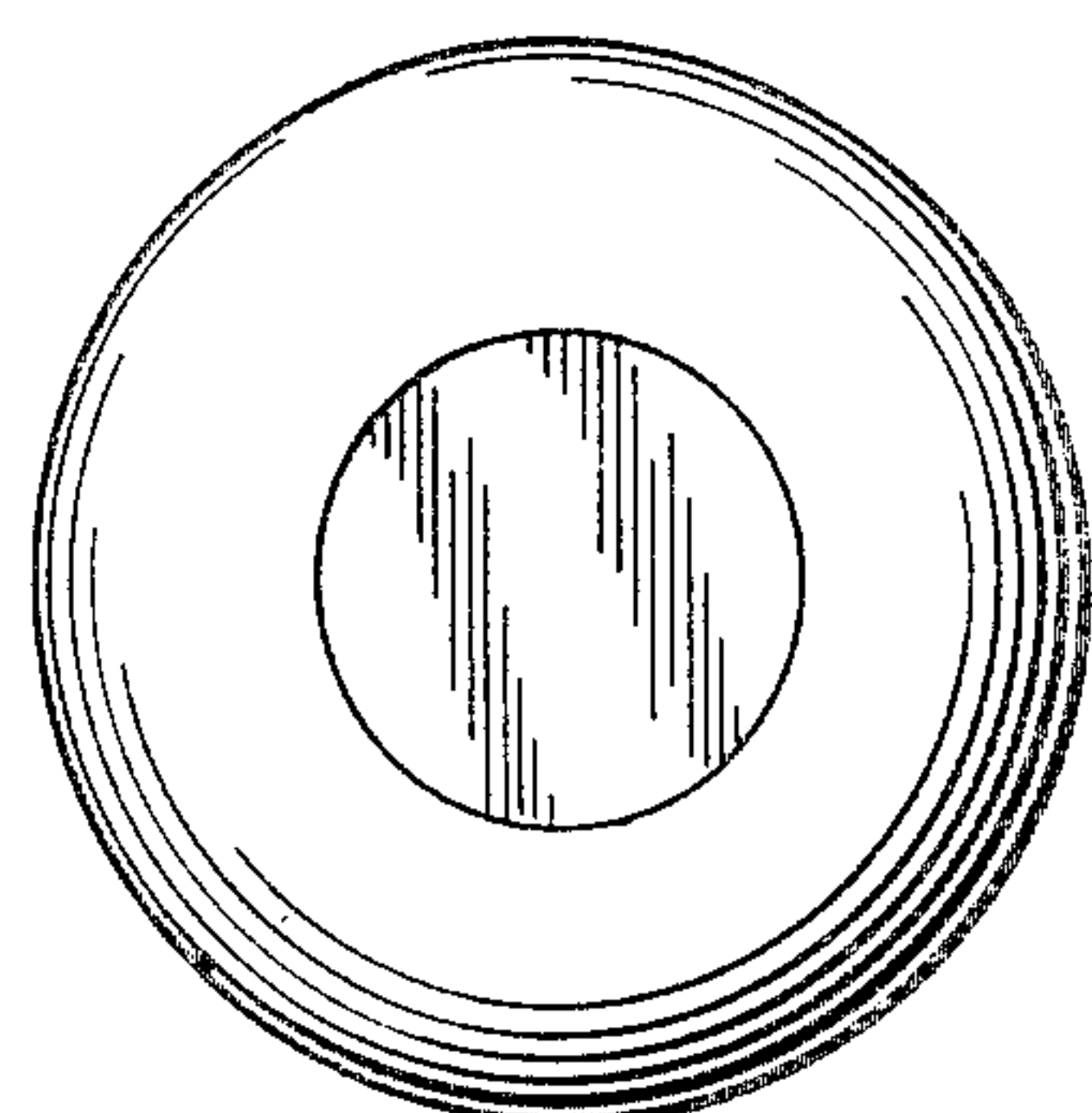


FIG. 6