

[54] ELECTRONIC CLOCK

[75] Inventor: Ser K. Au, Kowloon, Hong Kong

[73] Assignee: A A Electronics (International) Limited, Kowloon, Hong Kong

[**] Term: 14 Years

[21] Appl. No.: 382,836

[22] Filed: May 27, 1982

[30] Foreign Application Priority Data

Apr. 15, 1982 [GB] United Kingdom 1003909

[52] U.S. Cl. D10/15; D10/22; D14/72

[58] Field of Search D10/15, 22, 23; D14/68, D14/69, 70, 71, 72, 73, 14; 368/82-84, 239-242, 285, 276

[56] References Cited

U.S. PATENT DOCUMENTS

- D. 90,935 10/1933 Barrett D10/23 X
- D. 223,962 6/1972 McQuarrie D14/72
- D. 225,866 1/1973 Fujita D14/72

- D. 240,270 6/1976 Kawano D14/73
- D. 245,198 7/1977 Terada D14/73
- D. 247,898 5/1978 Plomp D14/72 X

OTHER PUBLICATIONS

European Jeweler-2/80-p. 117-clock at top-right and timer at bottom-left.

National Jeweler-10/63-p. 72-clock at top-right.

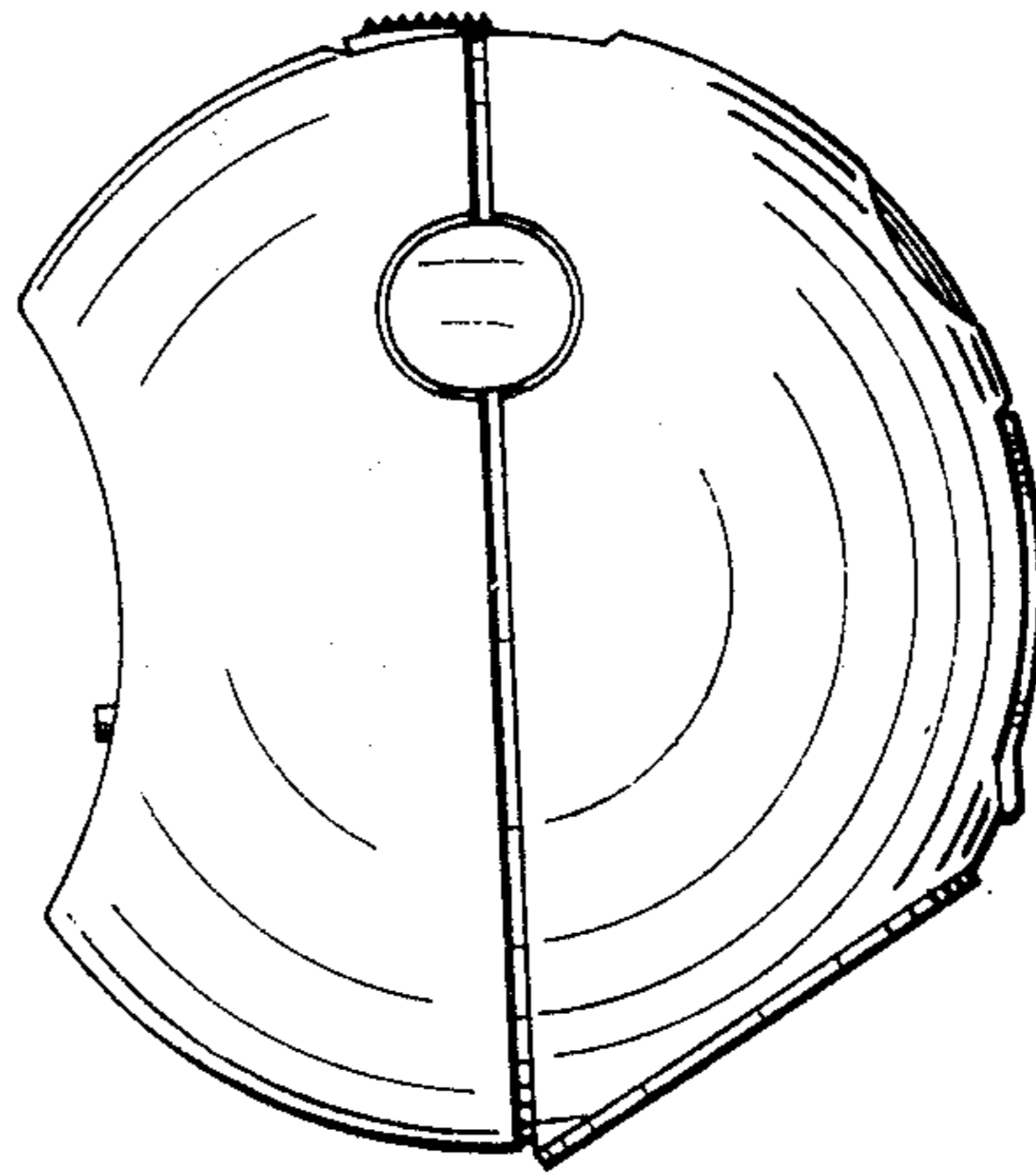
Primary Examiner-Nelson C. Holtje
Attorney, Agent, or Firm-Sughrue, Mion, Zinn, Macpeak and Seas

[57] CLAIM

the ornamental design for an electronic clock, substantially as shown.

DESCRIPTION

FIG. 1 is a front elevational view of an electronic clock showing my new design;
 FIG. 2 is a right side elevational view thereof, the left side being a mirror image thereof;
 FIG. 3 is a rear elevational view thereof;
 FIG. 4 is a bottom plan view thereof;
 FIG. 5 is a top plan view thereof.



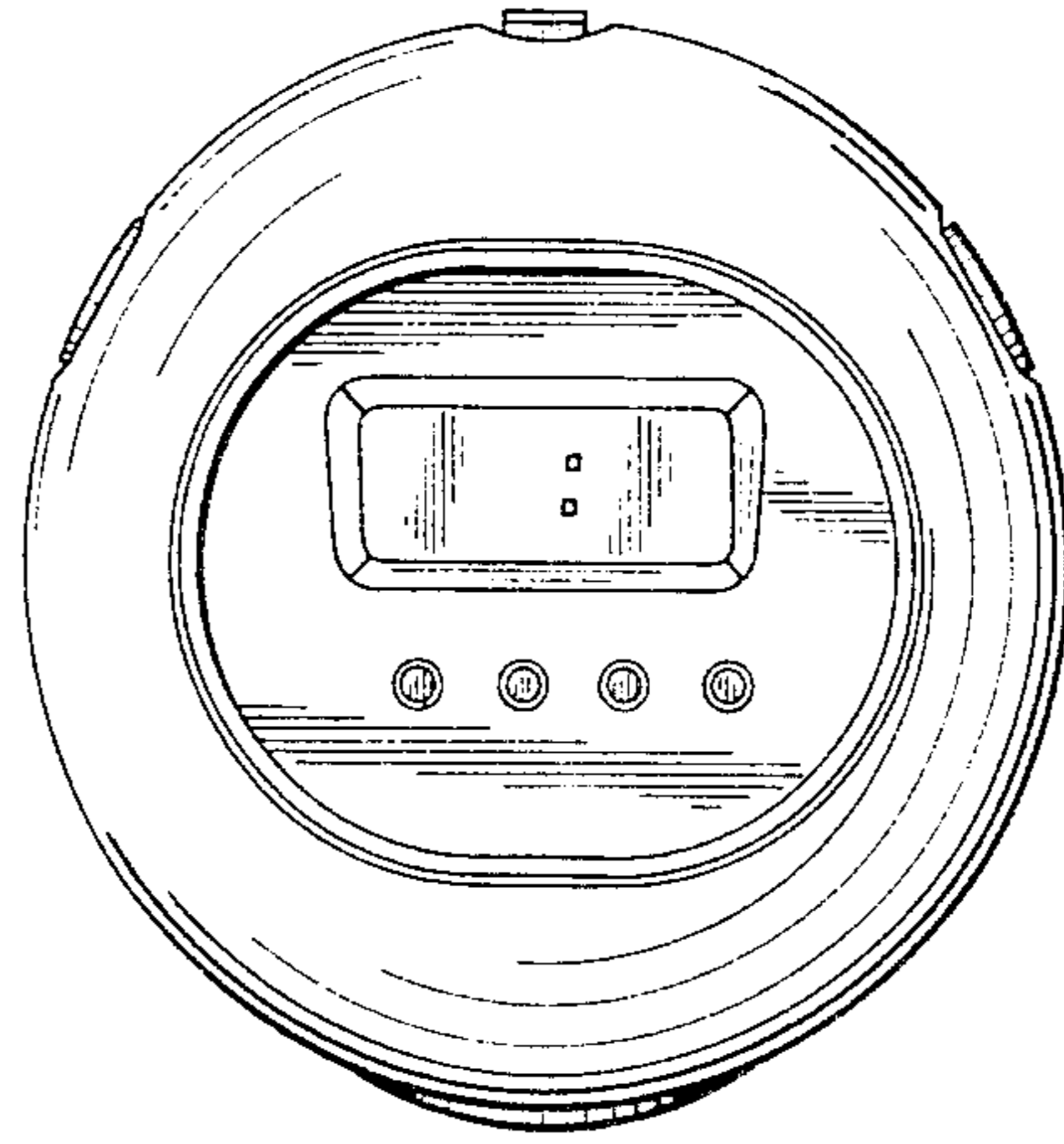


Fig.1

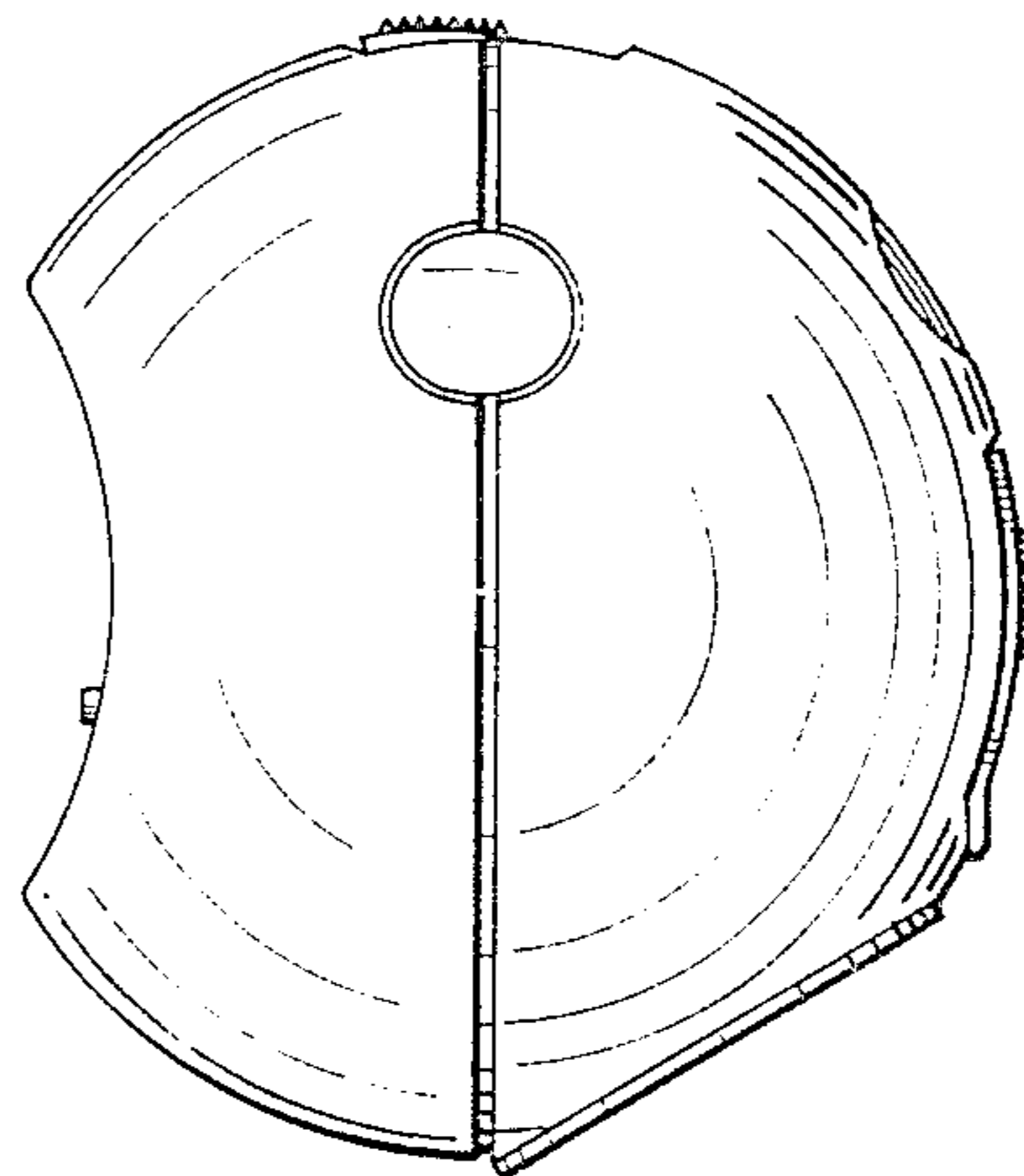


Fig.2

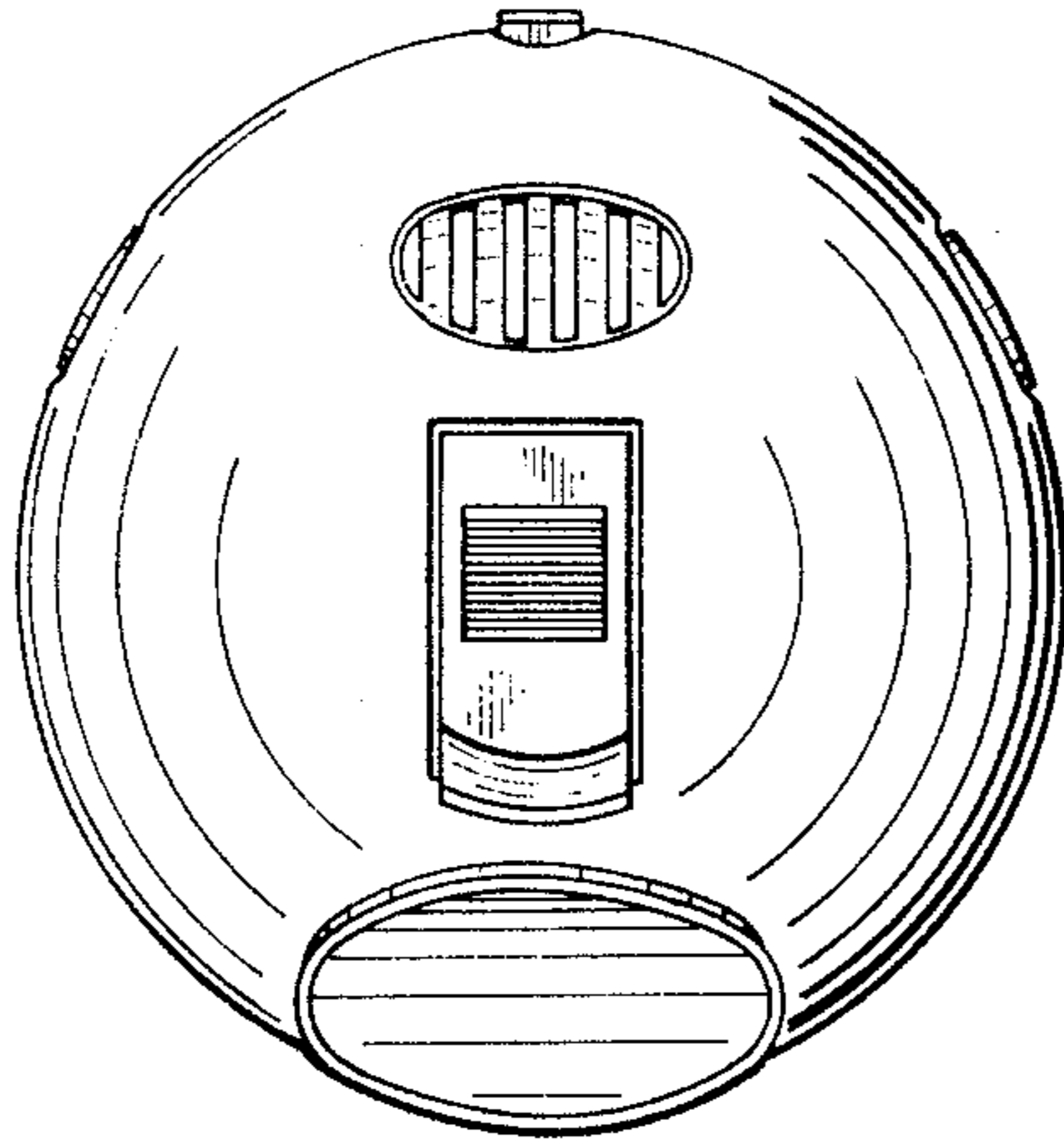


Fig.3

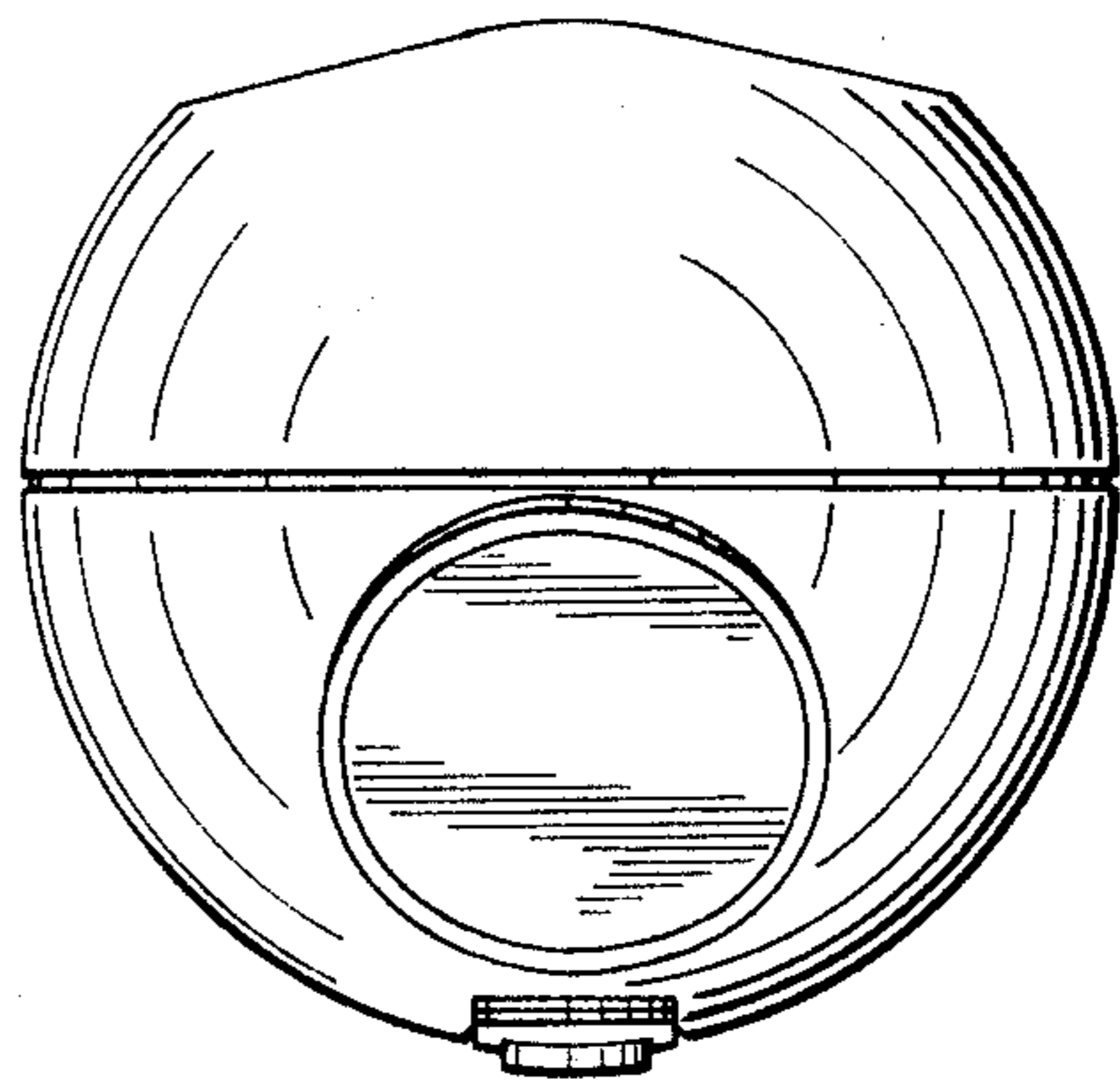


Fig.4

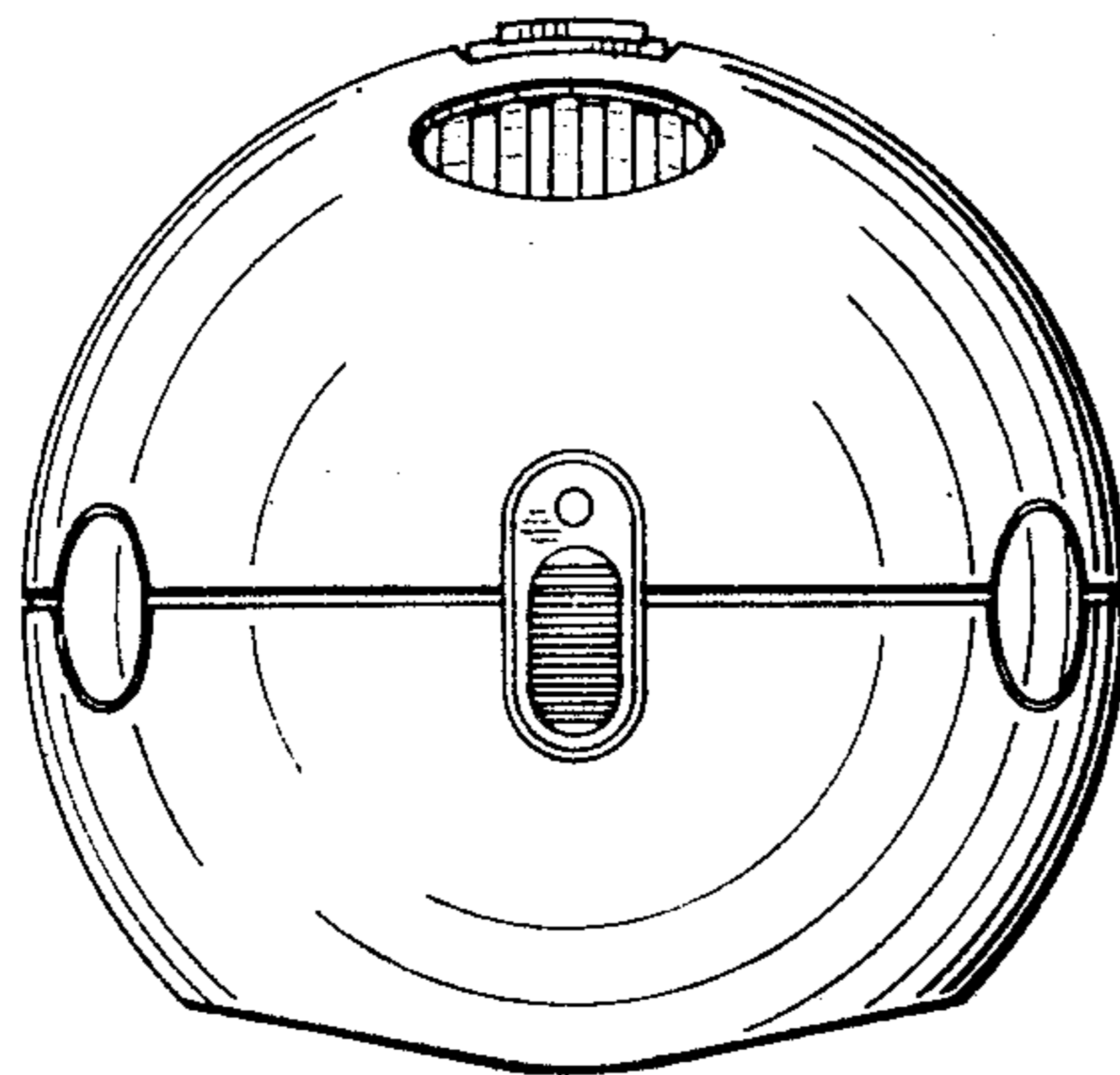


Fig.5