

[54] BOTTLE

D. 87,142 6/1932 Barbiere D9/406
D. 100,434 7/1936 McIntosh D9/384

[75] Inventor: Serge Mansau, Neuilly sur Seine, France

Primary Examiner—Robert C. Spangler
Attorney, Agent, or Firm—Charles J. Fickey

[73] Assignee: American Cyanamid Company, Stamford, Conn.

[57] CLAIM

[**] Term: 14 Years

The ornamental design for a bottle, substantially as shown and described.

[21] Appl. No.: 389,651

DESCRIPTION

[22] Filed: Jun. 18, 1982

FIG. 1 is an elevational view of a bottle showing my new design, the opposite side being the same in appearance;

[30] Foreign Application Priority Data

Jan. 15, 1982 [FR] France 820110

FIG. 2 is a top plan view;

[52] U.S. Cl. D9/403

FIG. 3 is a bottom plan view;

[58] Field of Search D9/367, 403, 406, 413; 215/1 R, 1 C

FIG. 4 is a view looking from the right of FIG. 1, the opposite side being the same in appearance as the side shown;

[56] References Cited

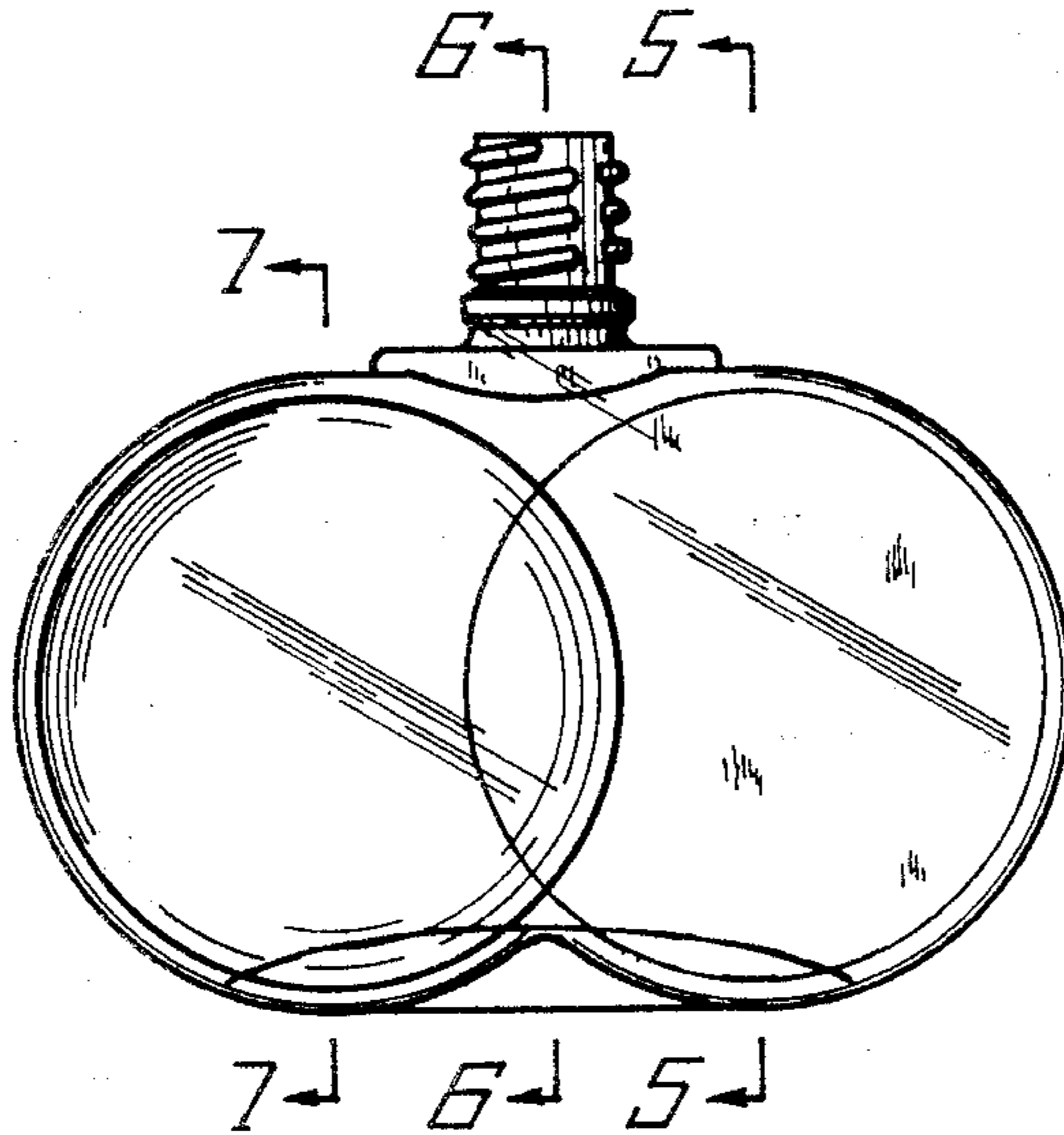
U.S. PATENT DOCUMENTS

D. 37,712 12/1905 Hochstadter D9/403
D. 62,804 7/1923 Quan D9/413
D. 82,593 11/1930 Teaque D9/405

FIG. 5 is a sectional view taken on the line 5—5 of FIG. 1;

FIG. 6 is a sectional view taken on the line 6—6 of FIG. 1; and

FIG. 7 is a sectional view taken on the line 7—7 of FIG. 1.



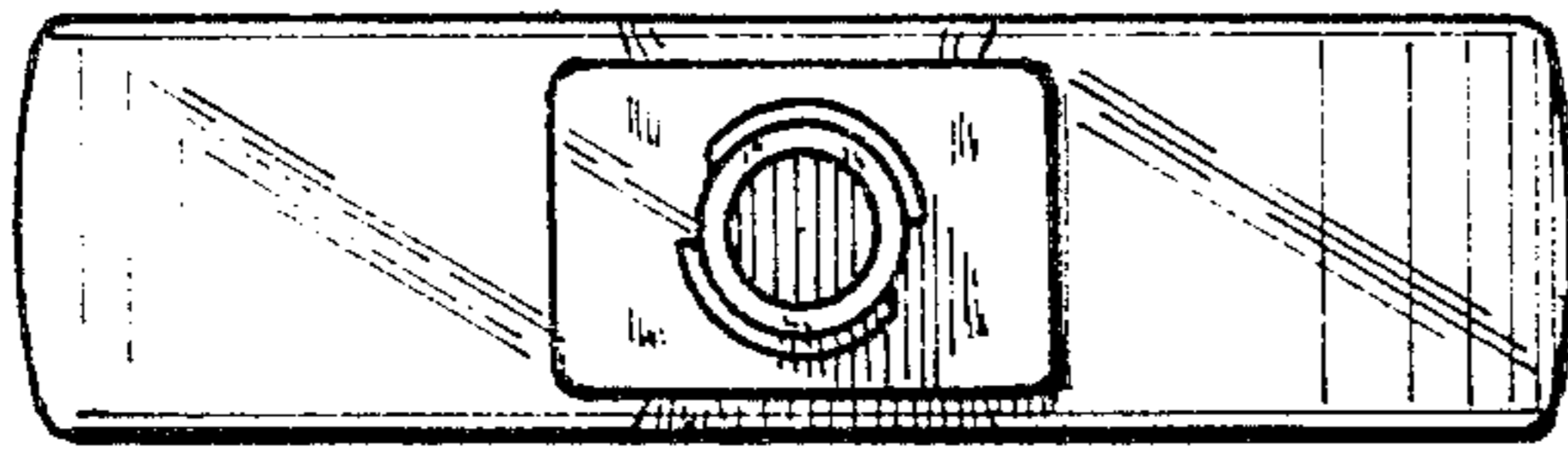


FIG. 2

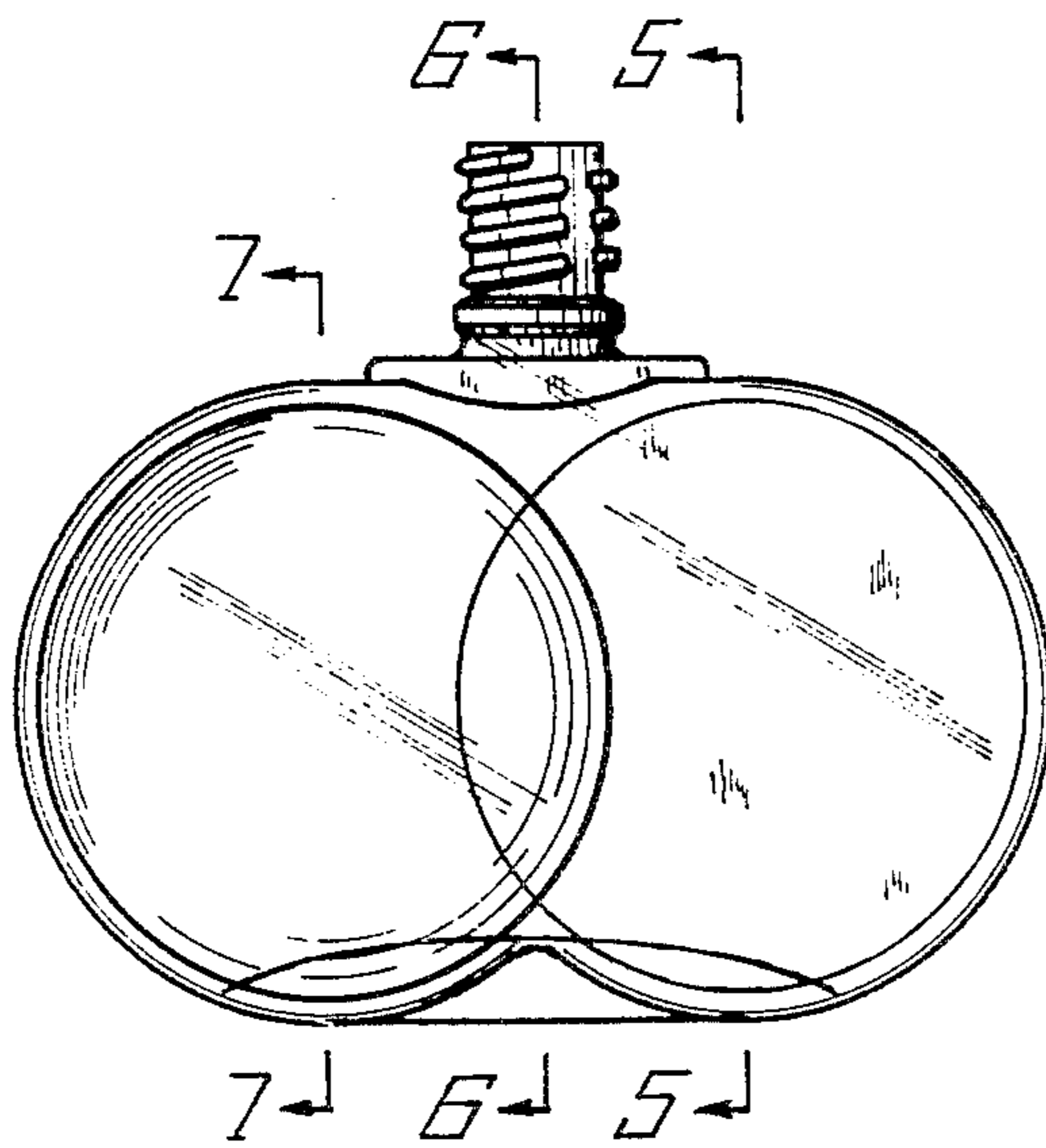


FIG. 1

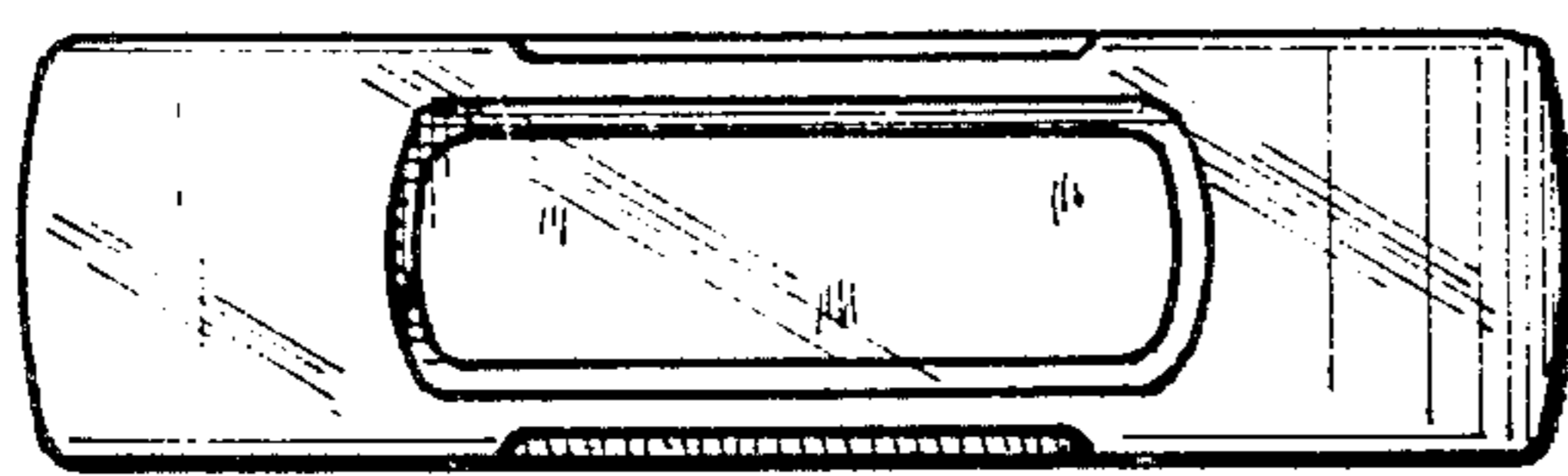


FIG. 3

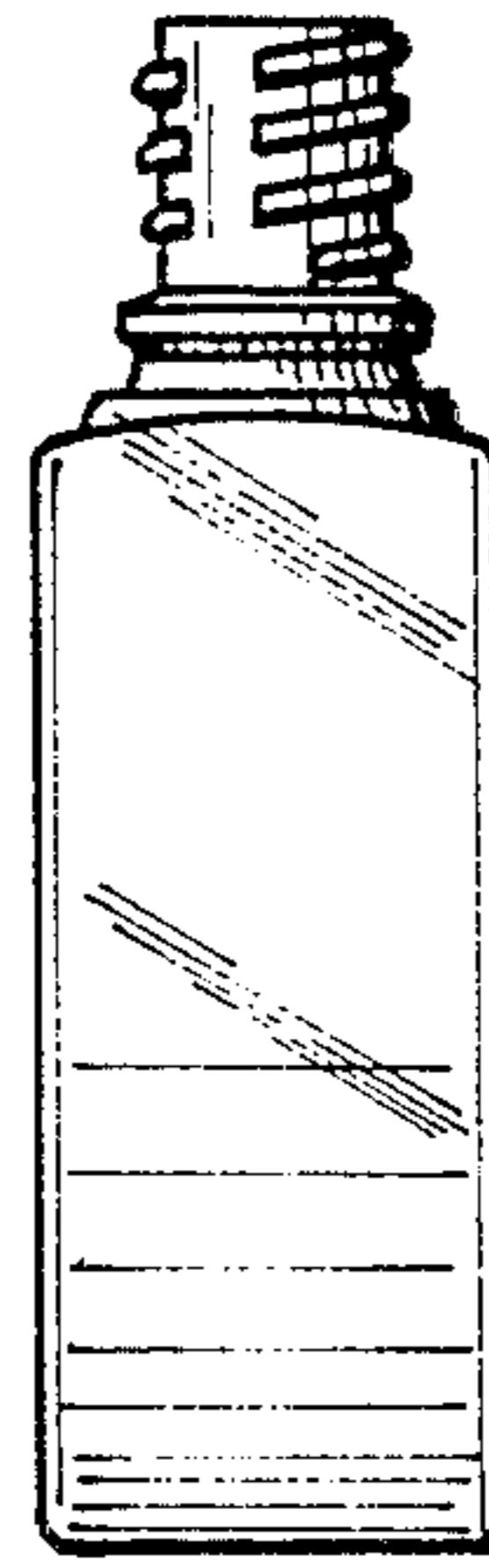


FIG. 4

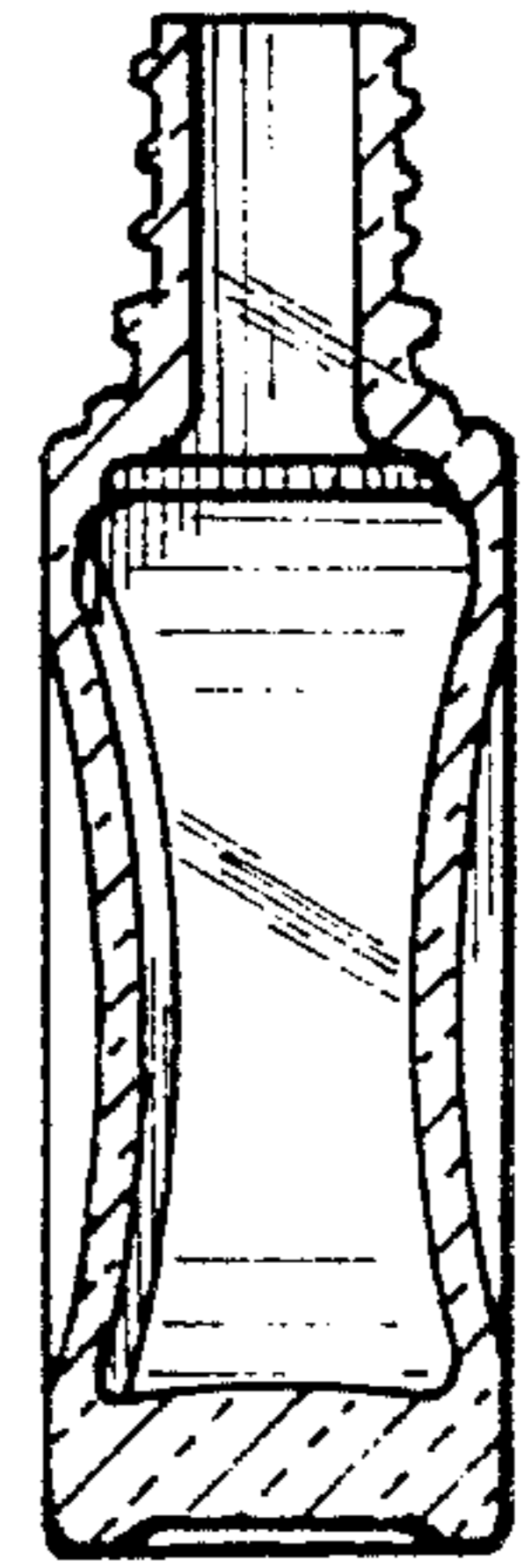


FIG. 6

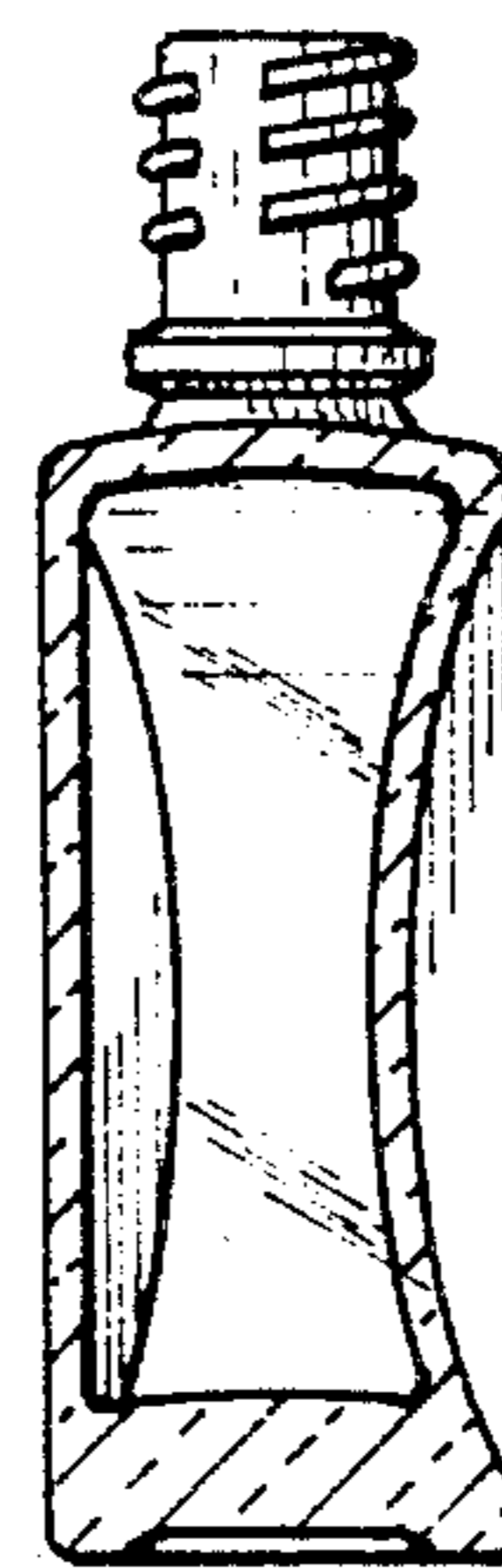


FIG. 5

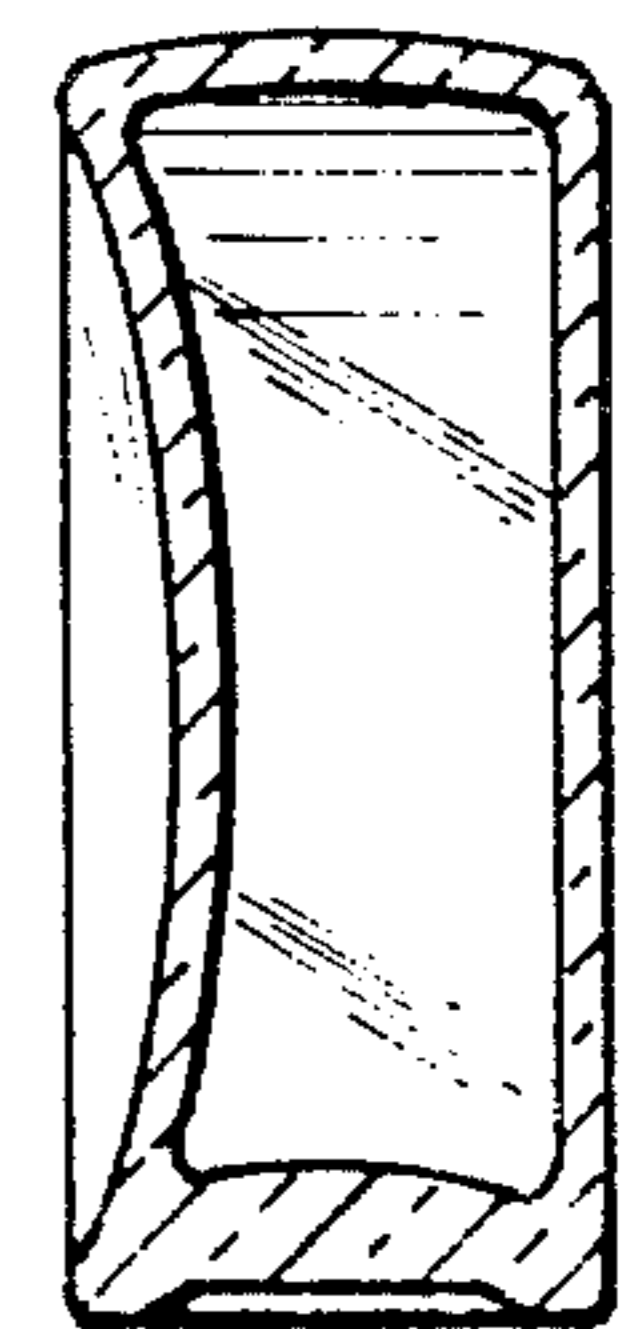


FIG. 7