

[54] FUEL FILLER DOOR PROP

[76] Inventor: Joseph G. Spinka, Rte. 1, Box 439, Antioch, Ill. 60002

[**] Term: 14 Years

[21] Appl. No.: 291,976

[22] Filed: Aug. 11, 1981

[52] U.S. Cl. D8/349; D8/354

[58] Field of Search D8/349, 354, 394, 395, D8/402; 292/DIG. 15, 338, 339; 296/1 C; 24/255 R, 259 R

4,236,746	12/1980	LaVoie	296/1 C
4,257,642	3/1981	Sampson	296/1 C
4,270,784	6/1981	Vanover	292/338
4,299,420	11/1981	Piepito	296/1 C
4,361,354	11/1982	Kemp, Jr.	292/338 X
4,390,201	6/1983	Saunders	292/338 X

Primary Examiner—Catherine E. Kemper
Attorney, Agent, or Firm—Wood, Dalton, Phillips,
Mason & Rowe

[57] CLAIM

The ornamental design for a fuel filler door prop, as shown.

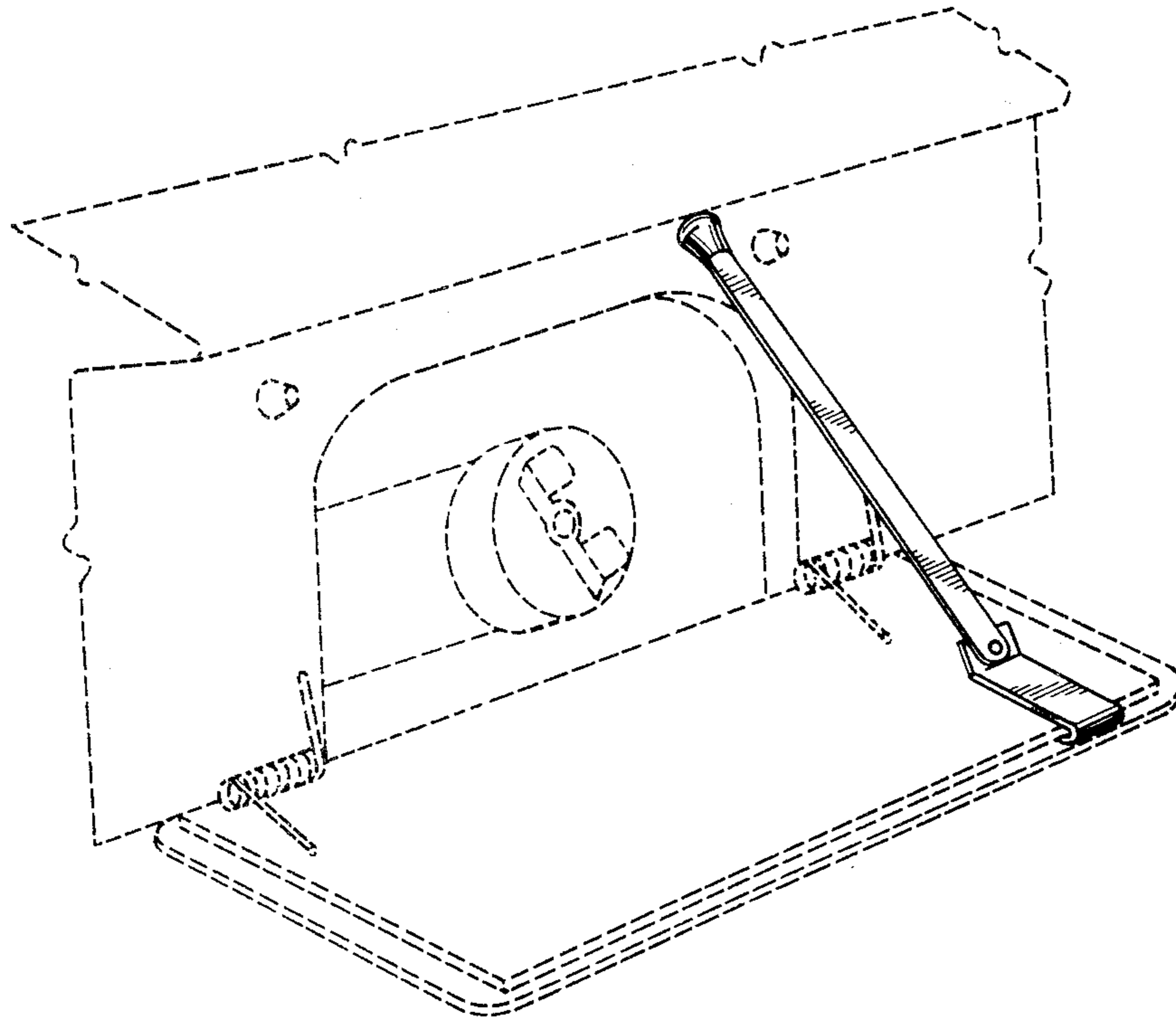
[56] References Cited

U.S. PATENT DOCUMENTS

1,498,994	6/1924	Borsuk et al.	24/259 R X
2,690,928	10/1954	Boynes	40/11 R X
3,905,637	9/1975	Smith	296/1 C
4,172,611	10/1979	Krus	292/DIG. 15 X

DESCRIPTION

FIG. 1 is a perspective view of a fuel filler door prop showing my new design;
FIG. 2 is side view thereof; and
FIG. 3 is a front elevation thereof with the rod turned to the storage position.



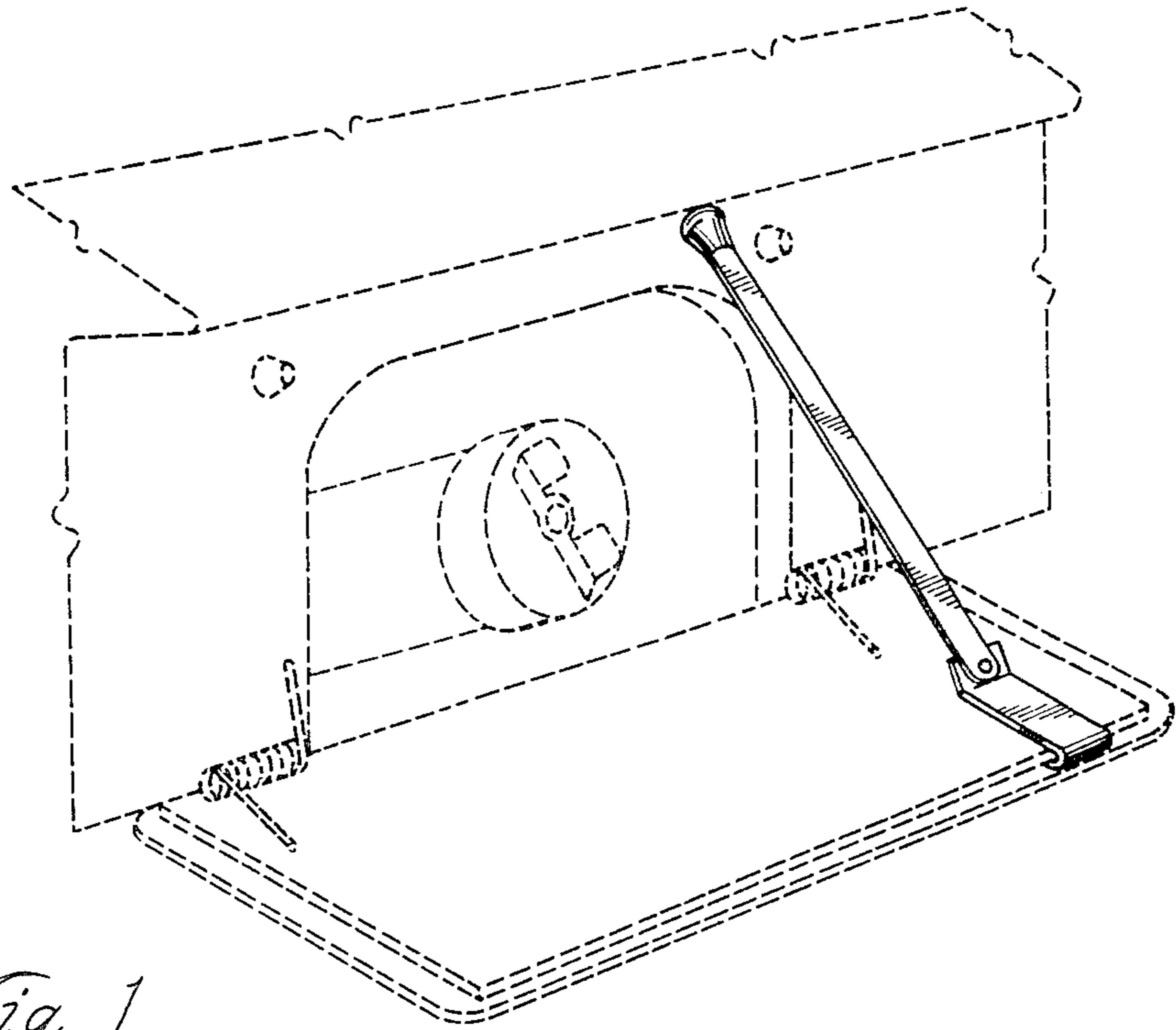


Fig. 1

UNITED STATES PATENT AND TRADEMARK OFFICE
CERTIFICATE OF CORRECTION

PATENT NO. : DES. NO. 276,696
DATED : December 11, 1984
INVENTOR(S) : Joseph G. Spinka

Page 1 of 2

It is certified that error appears in the above-identified patent and that said Letters Patent is hereby corrected as shown below:

The sheet of drawings consisting of Figures 2 and 3 should be added as shown on the attached sheet.

Signed and Sealed this

Fourth Day of June 1985

[SEAL]

Attest:

DONALD J. QUIGG

Attesting Officer

Acting Commissioner of Patents and Trademarks

UNITED STATES PATENT AND TRADEMARK OFFICE
CERTIFICATE OF CORRECTION

PATENT NO. : DES. 276,696
DATED : December 11, 1984
INVENTOR(S) : Joseph G. Spinka

Page 2 of 2

It is certified that error appears in the above-identified patent and that said Letters Patent is hereby corrected as shown below:



Fig. 3

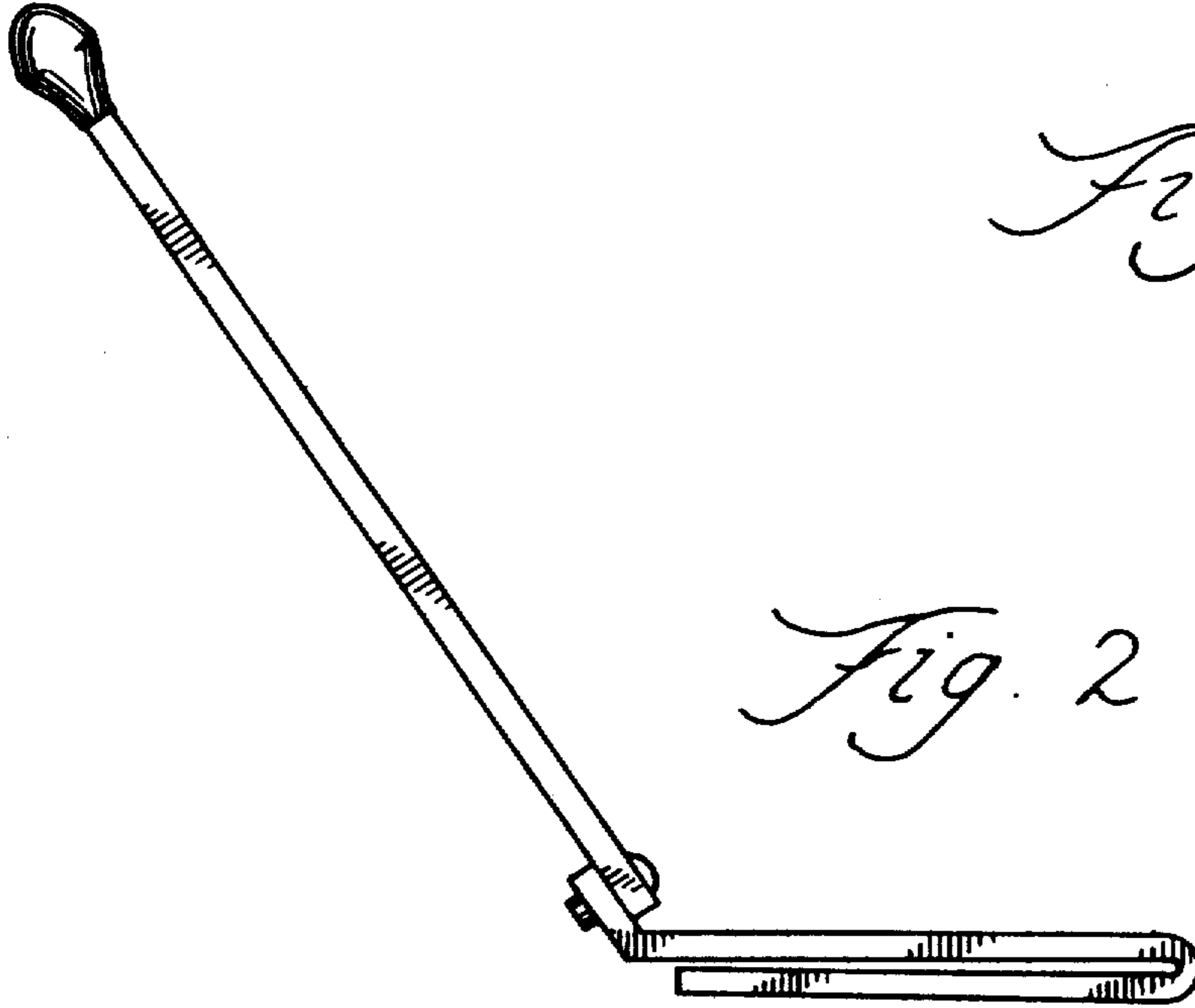


Fig. 2