

[54] STIRRER DISPENSER

[76] Inventor: John J. Silva, 8 Truman St., Johnston, R.I. 02919

[**] Term: 14 Years

[21] Appl. No.: 396,350

[22] Filed: Jul. 8, 1982

[52] U.S. Cl. D7/75

[58] Field of Search D7/72, 75; 221/191, 221/192, 193, 194

[56] References Cited

U.S. PATENT DOCUMENTS

- D. 72,017 2/1927 Karagozian D7/75
- D. 197,579 2/1964 Vernon D7/75
- D. 254,530 3/1980 Armstrong D7/75
- 668,129 12/1901 Schneckenburger 221/192 X

- 1,272,965 7/1918 Kartzmark 221/191 X
- 2,714,973 8/1955 Meyer et al. 221/192 X

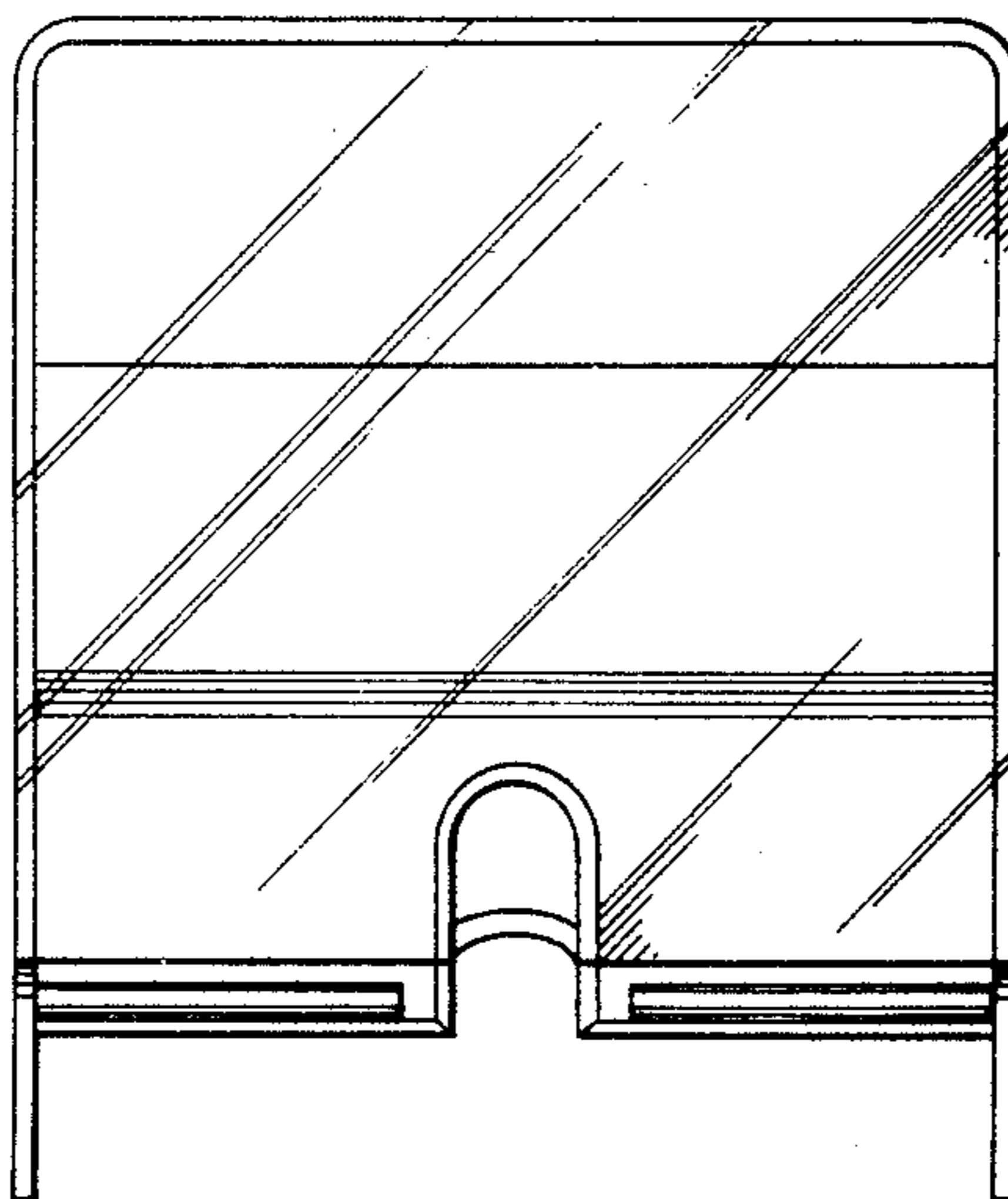
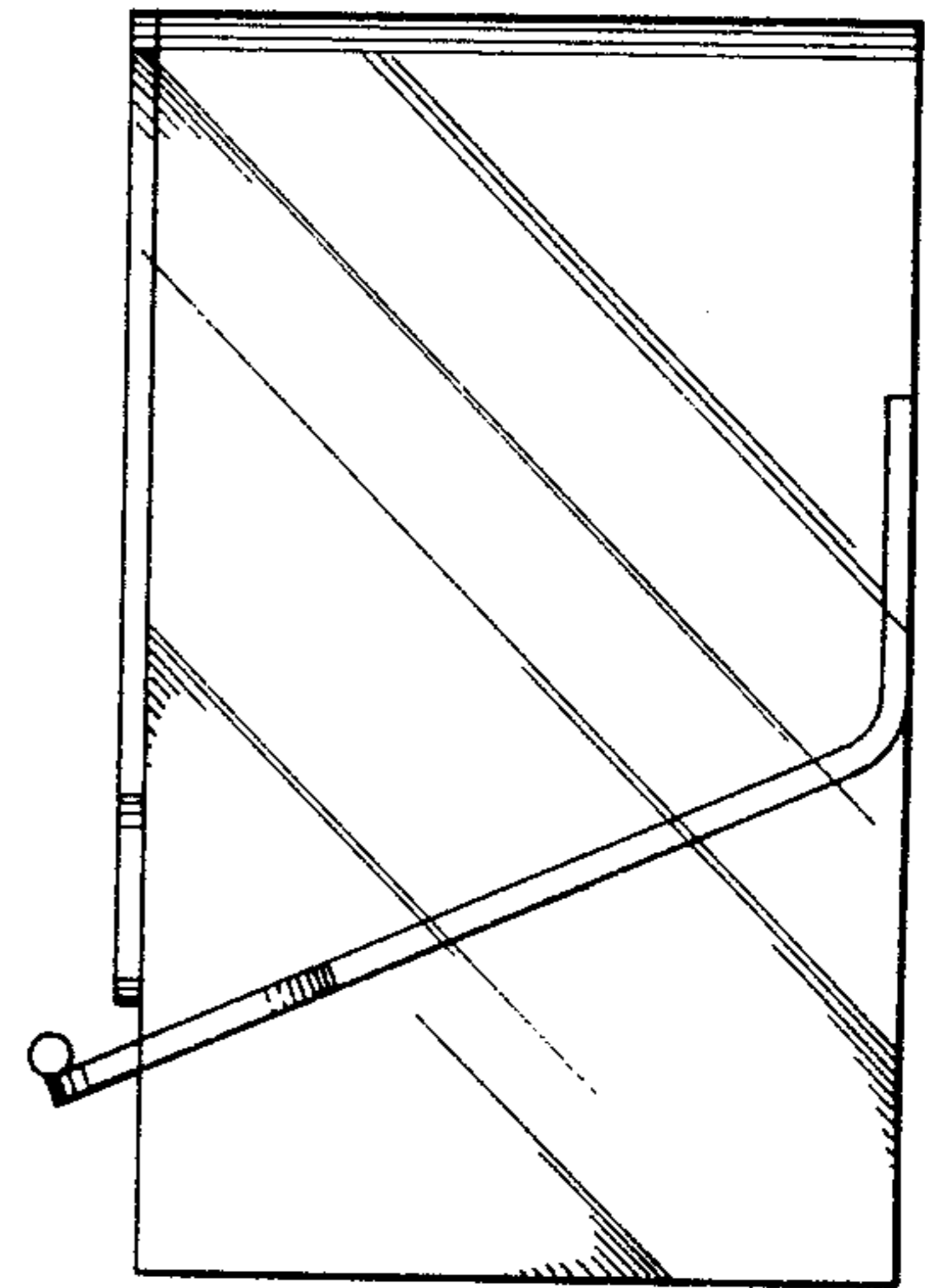
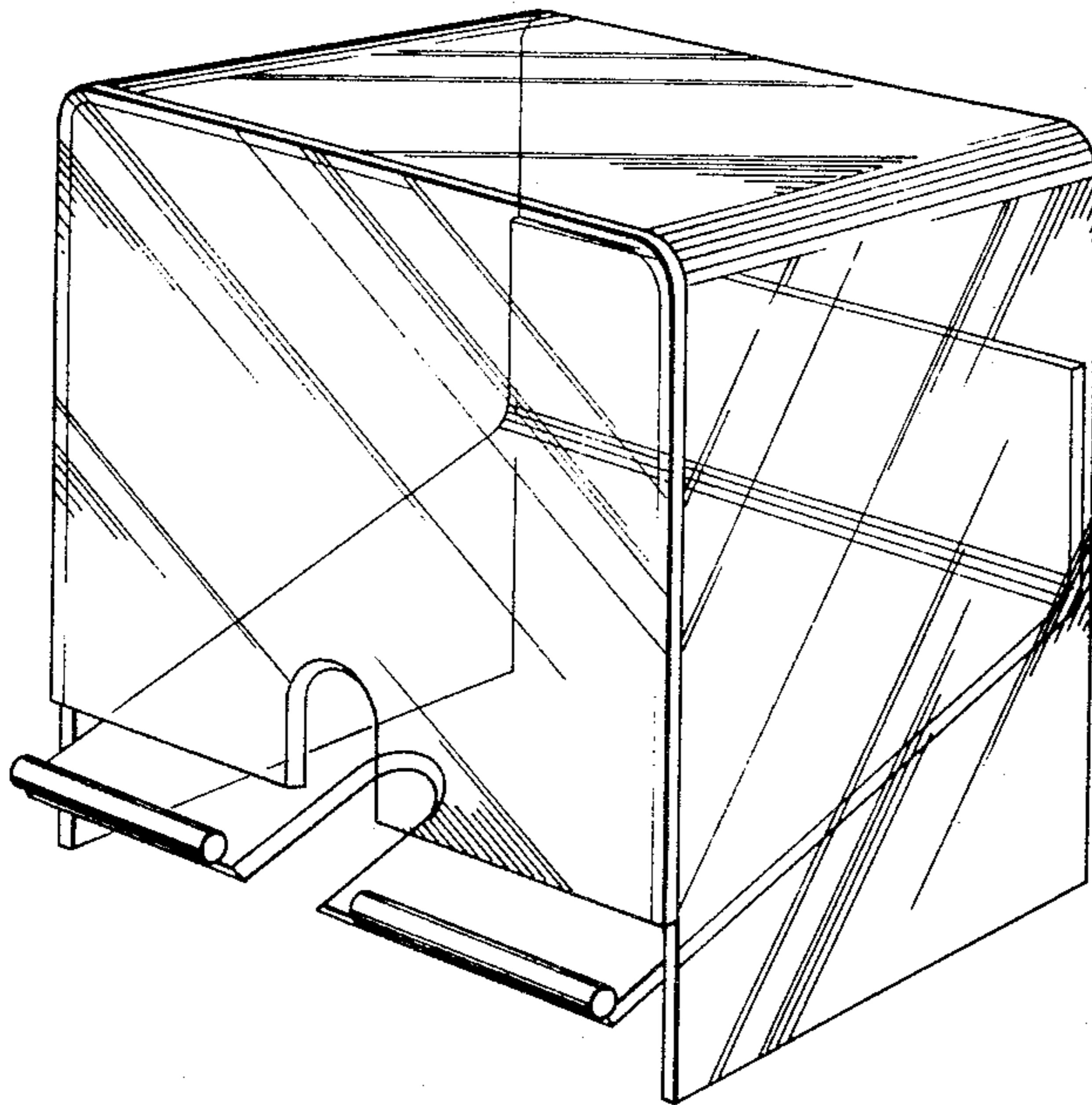
Primary Examiner—Winifred E. Herrmann
Attorney, Agent, or Firm—Robert J. Doherty

[57] CLAIM

The ornamental design for a stirrer dispenser, as shown and described.

DESCRIPTION

FIG. 1 is a perspective view of a stirrer dispenser showing my new design;
 FIG. 2 is a right side elevational view thereof, the opposite side being essentially the same;
 FIG. 3 is a front elevational view;
 FIG. 4 is a top plan view;
 FIG. 5 is a rear elevational view; and
 FIG. 6 is a bottom plan view.



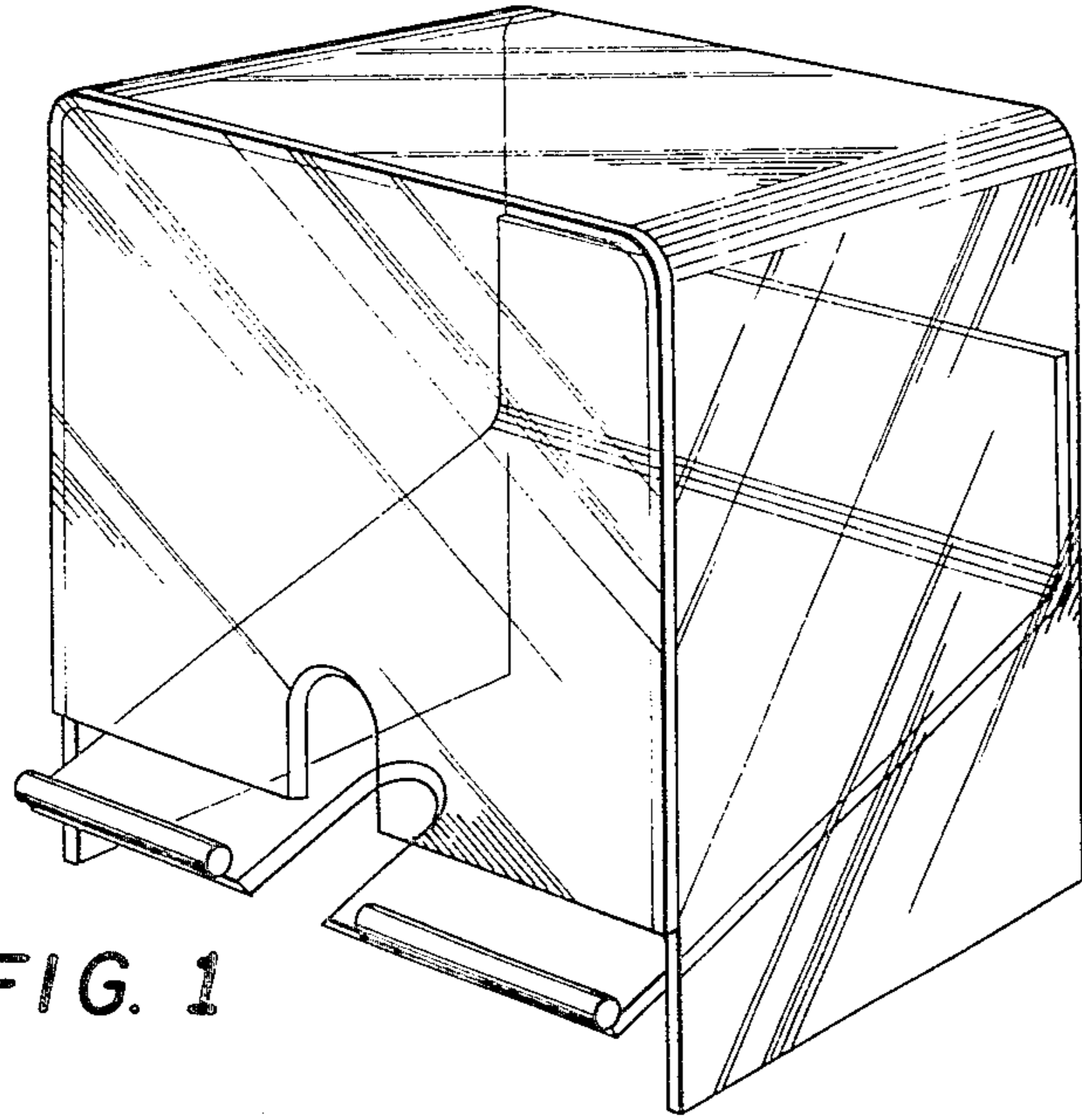


FIG. 1

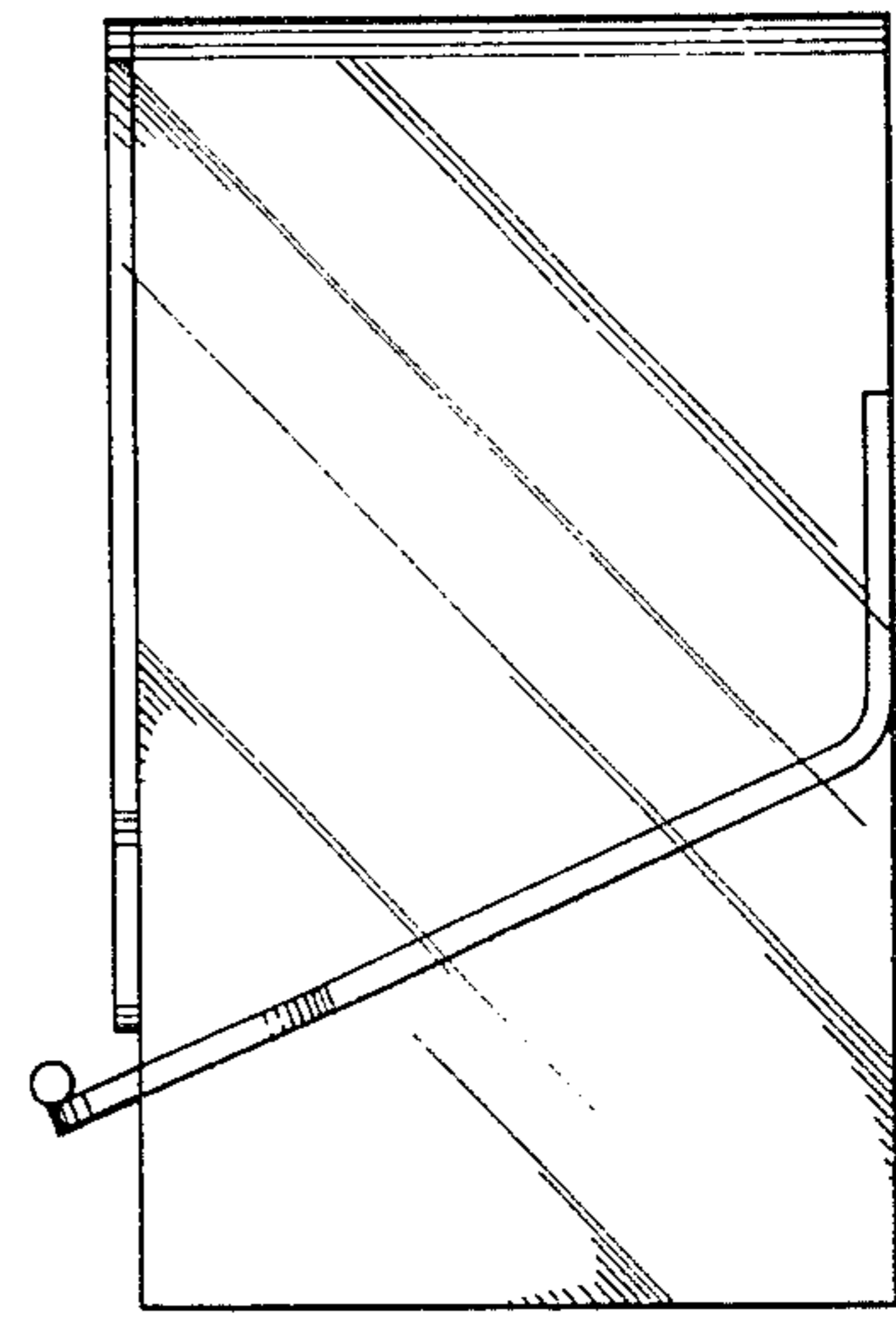


FIG. 2

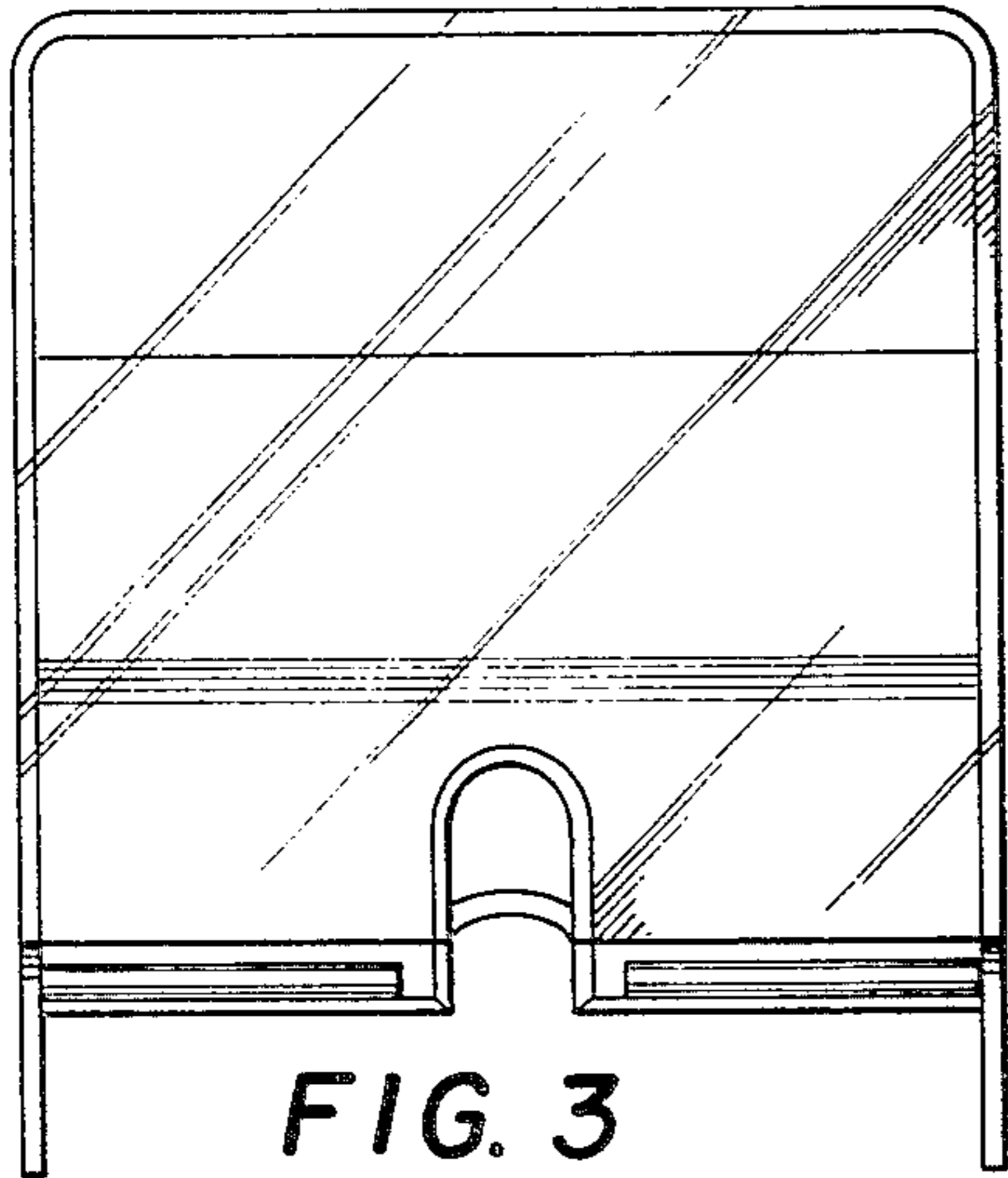


FIG. 3