

[54] COFFEE TABLE

[76] Inventor: Demir Hamami, 2724 Briggs Chaney Rd., Silver Spring, Md. 20904

[**] Term: 14 Years

[21] Appl. No.: 370,619

[22] Filed: Apr. 22, 1982

[52] U.S. Cl. D6/483

[58] Field of Search D6/175-177, D6/179

[56] References Cited

U.S. PATENT DOCUMENTS

- D. 233,873 12/1974 Mills D6/177
- D. 238,404 1/1976 Owens D6/175 X
- D. 262,506 1/1982 Kim D6/177 X

OTHER PUBLICATIONS

Interiors, Apr. 1967, p. 87, table at center.

Primary Examiner—Bruce W. Dunkins
Attorney, Agent, or Firm—Joseph P. Nigon

[57] CLAIM

The ornamental design for a coffee table, as shown and described.

DESCRIPTION

FIG. 1 is a perspective view of the coffee table;
 FIG. 2 is a top plan view thereof;
 FIG. 3 is a side view thereof;
 FIG. 4 is a front view thereof;
 FIG. 5 is a rear view thereof;
 FIG. 6 is a perspective view of another embodiment of the coffee table;
 FIG. 7 is a top plan view thereof;
 FIG. 8 is a side view thereof;
 FIG. 9 is a front view thereof;
 FIG. 10 is a side view opposite from the side shown in FIG. 8;
 FIG. 11 is a rear view thereof.

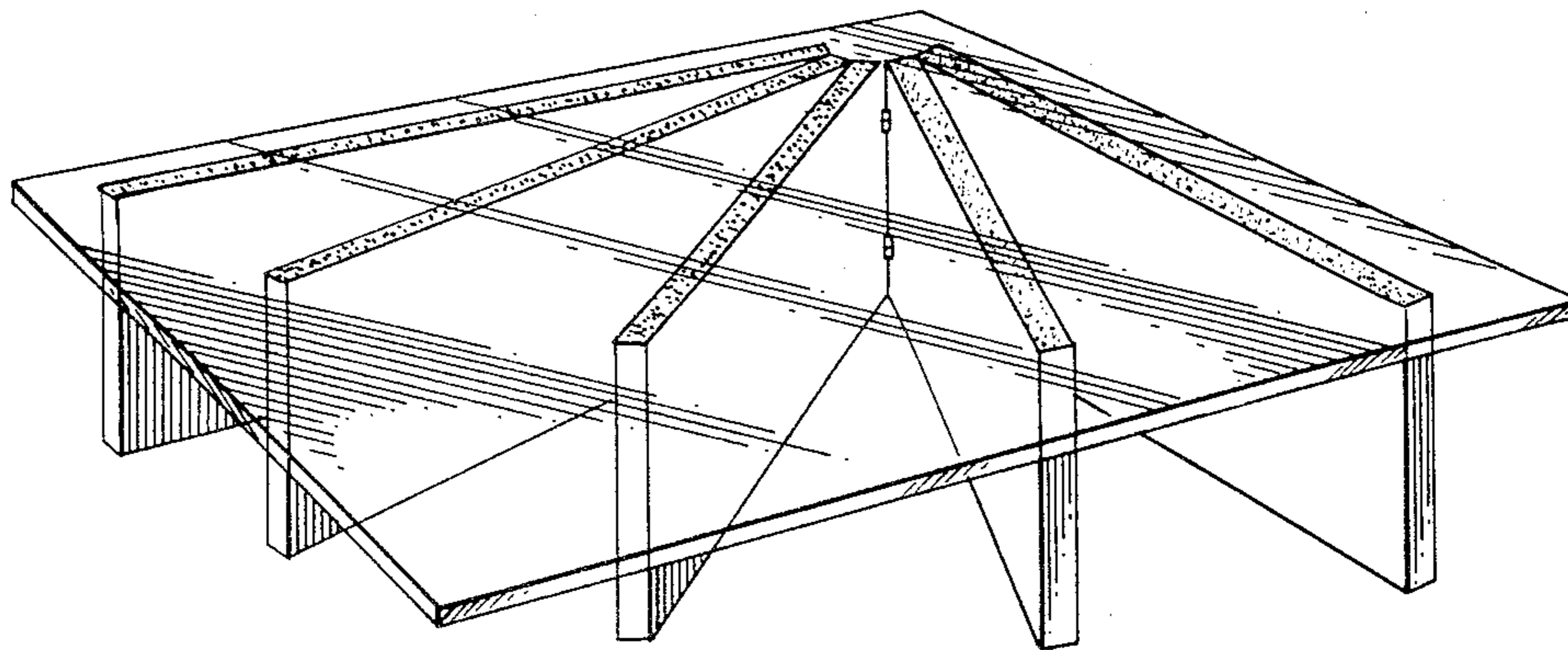


FIG. 1.

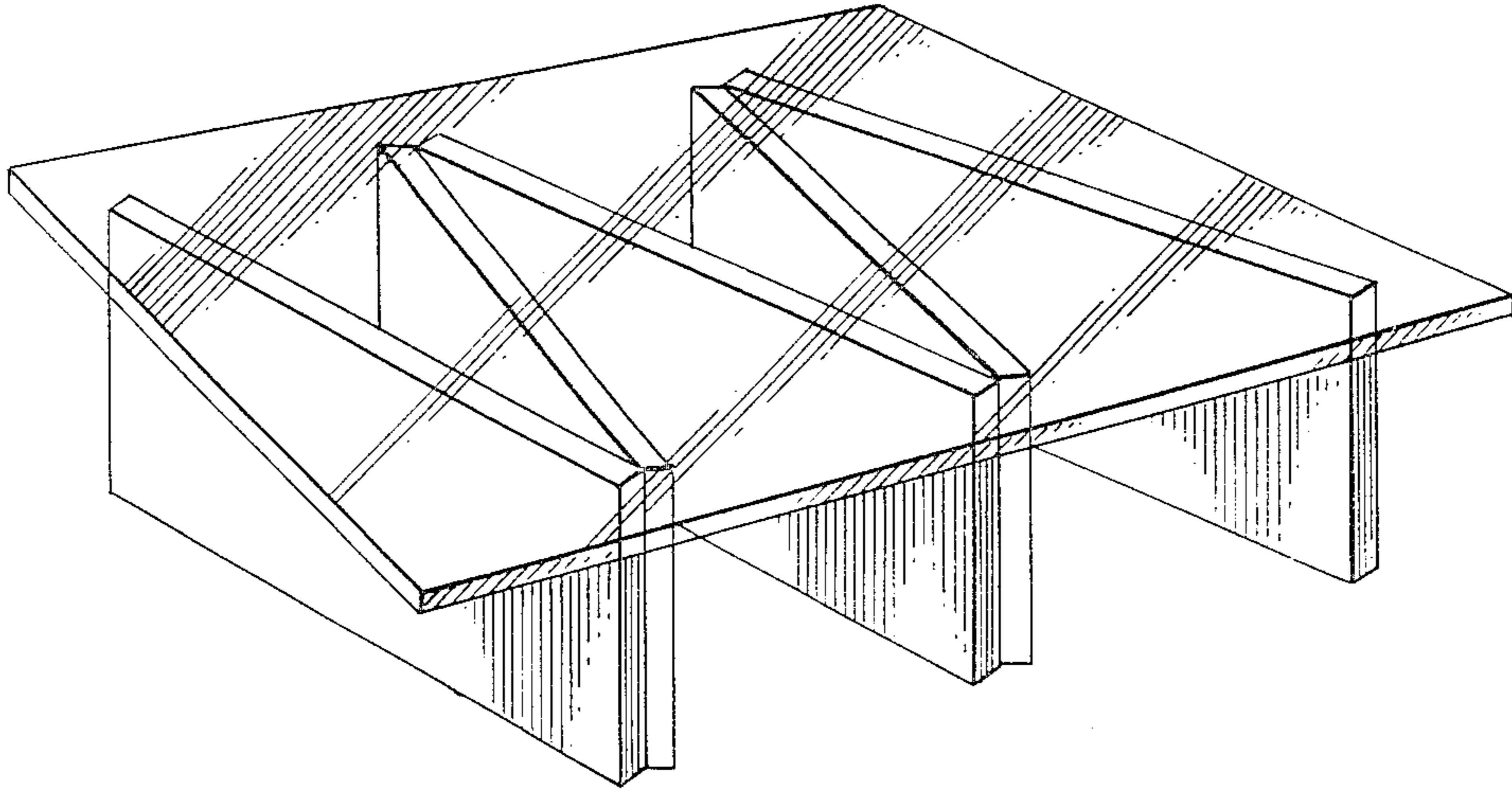


FIG. 2.

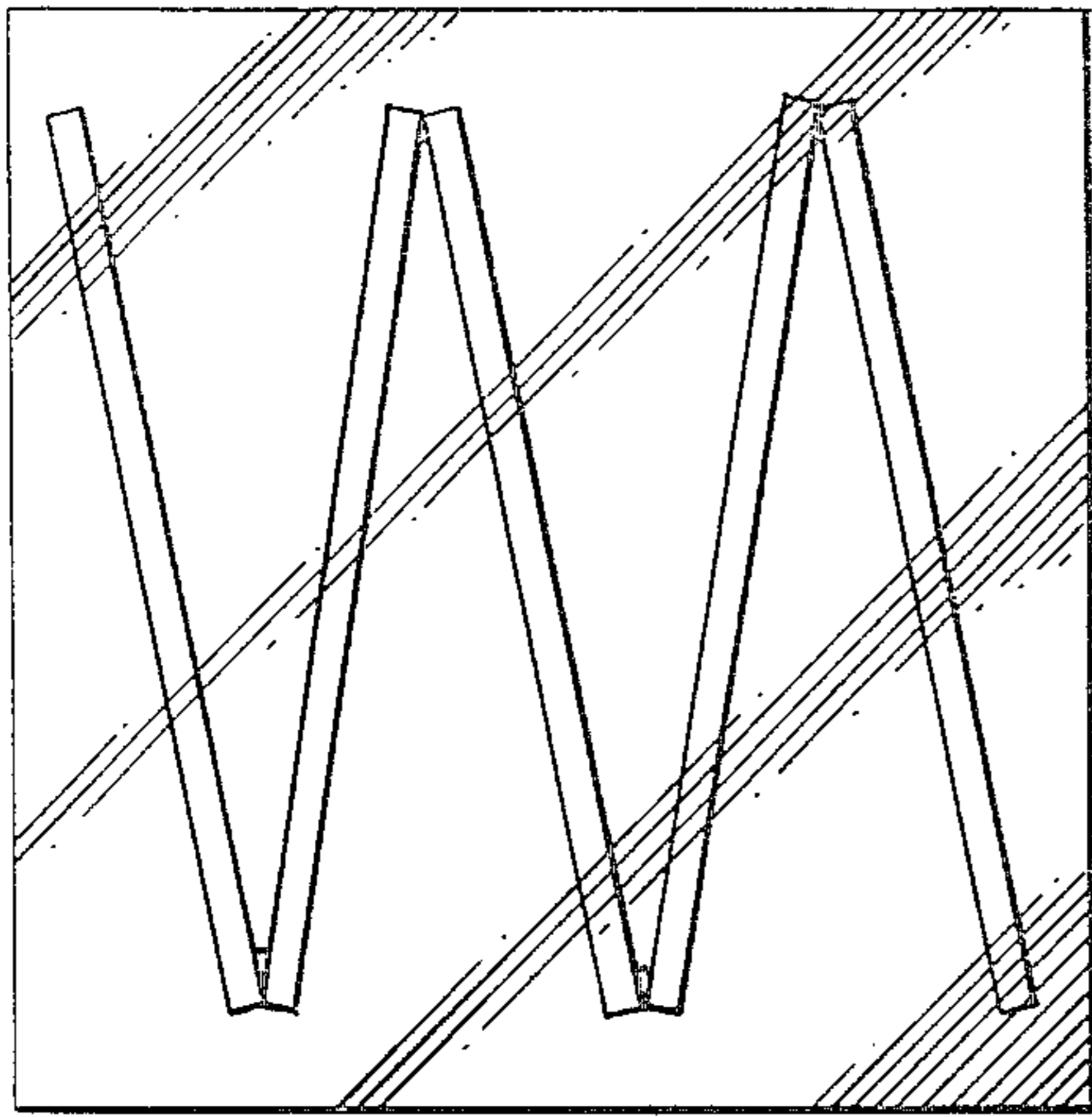


FIG. 3.

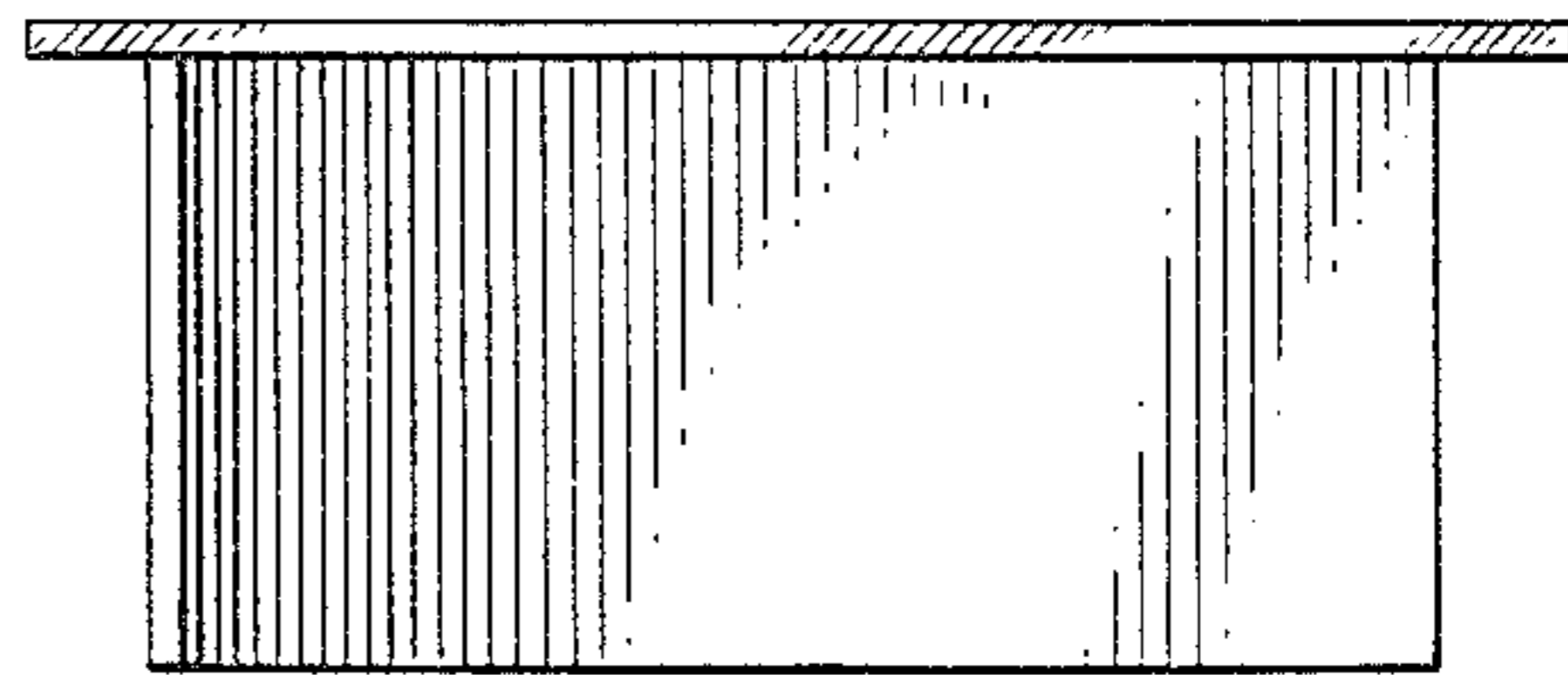


FIG. 4.

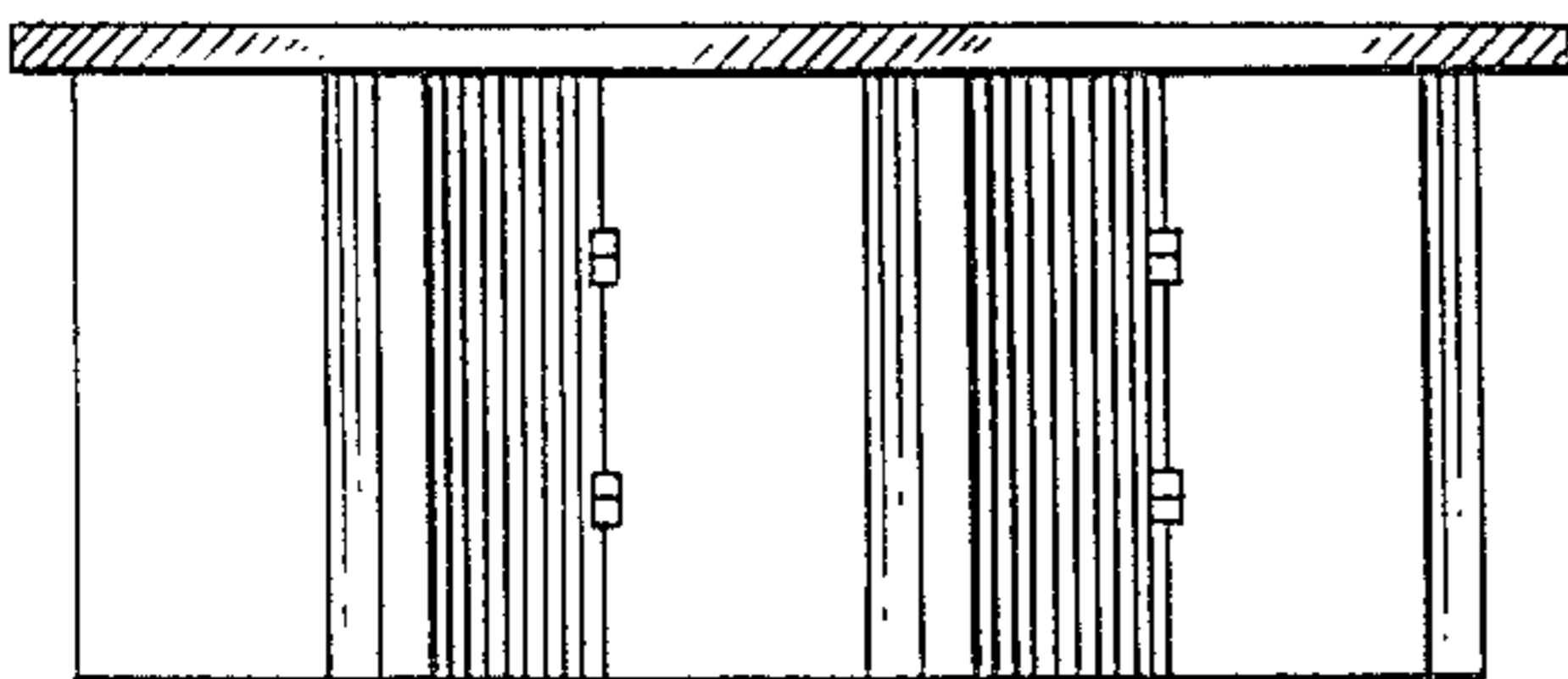


FIG. 5.

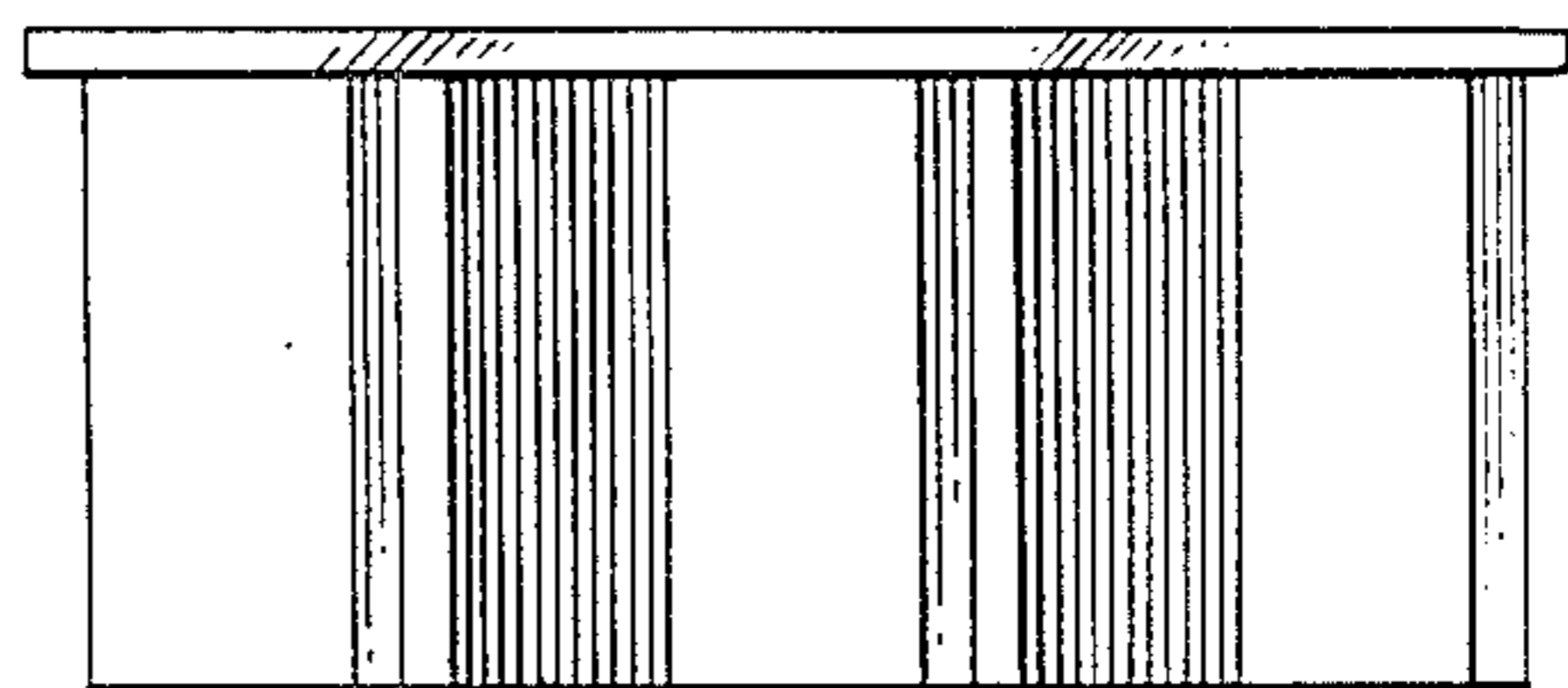


FIG. 6.

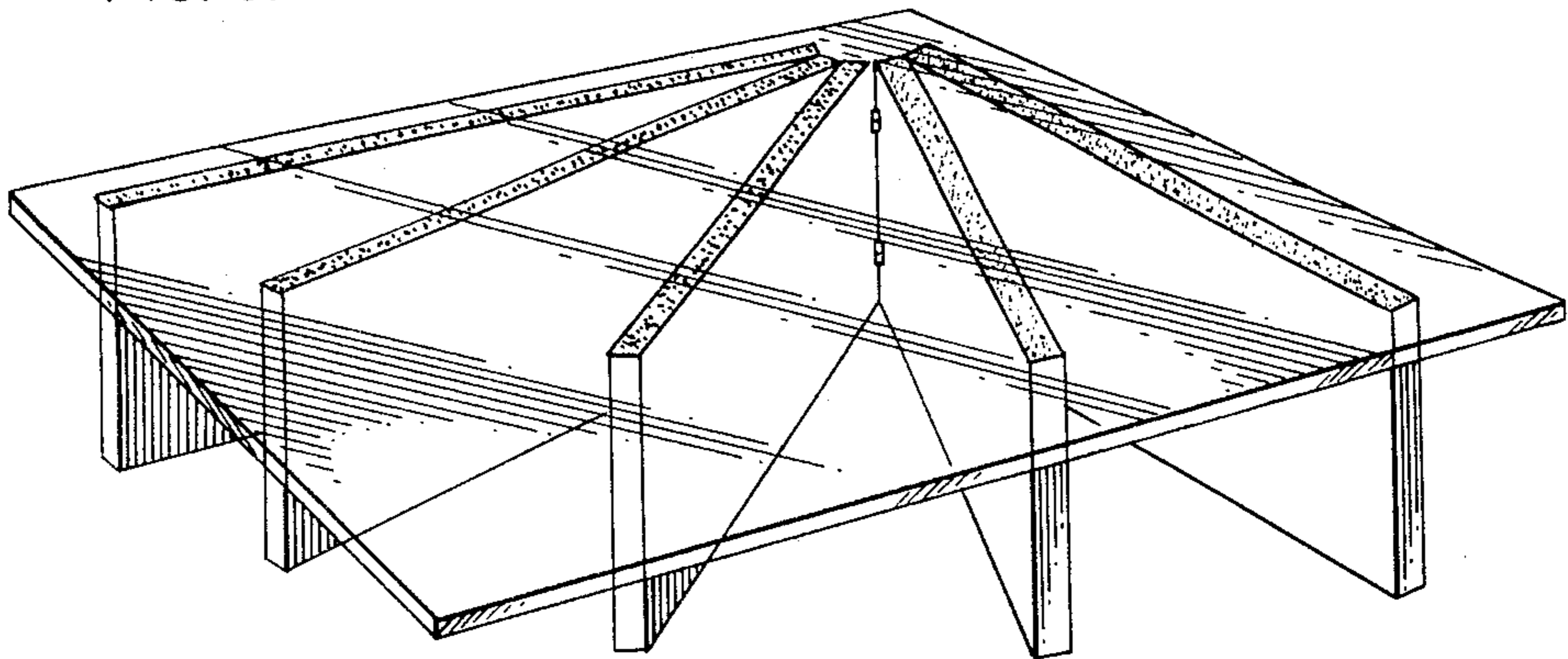


FIG. 7.

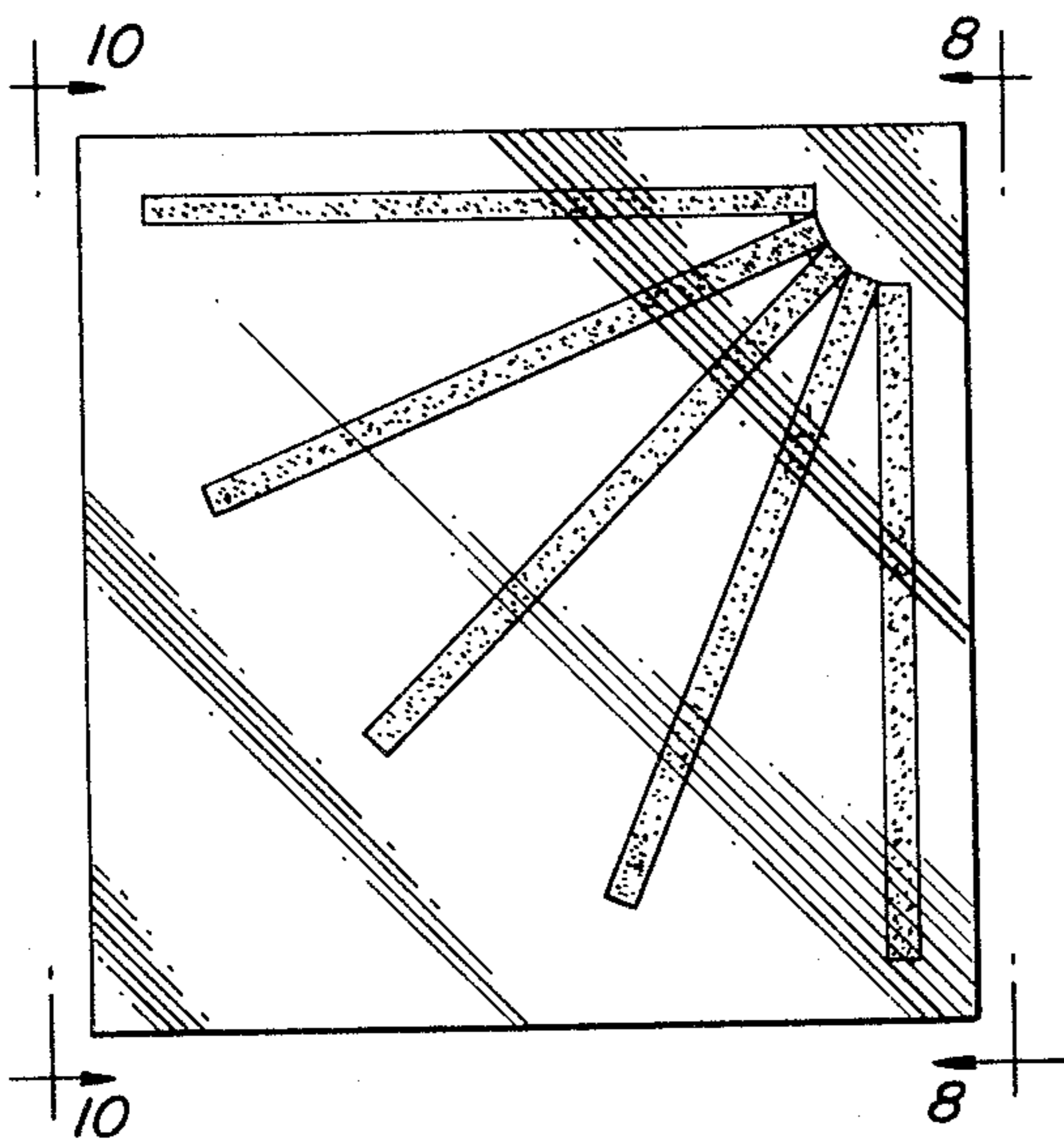


FIG. 8.

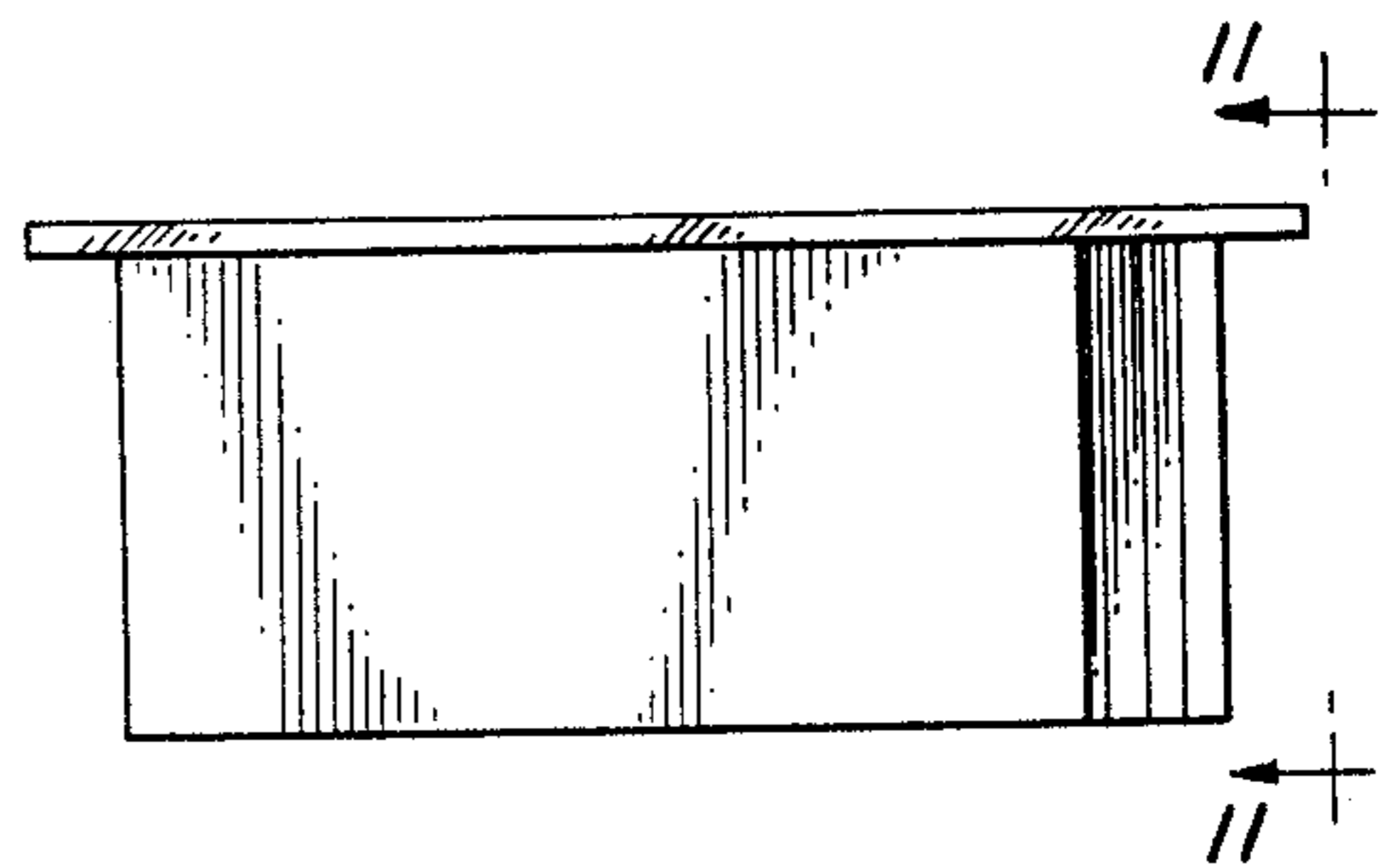


FIG. 9.

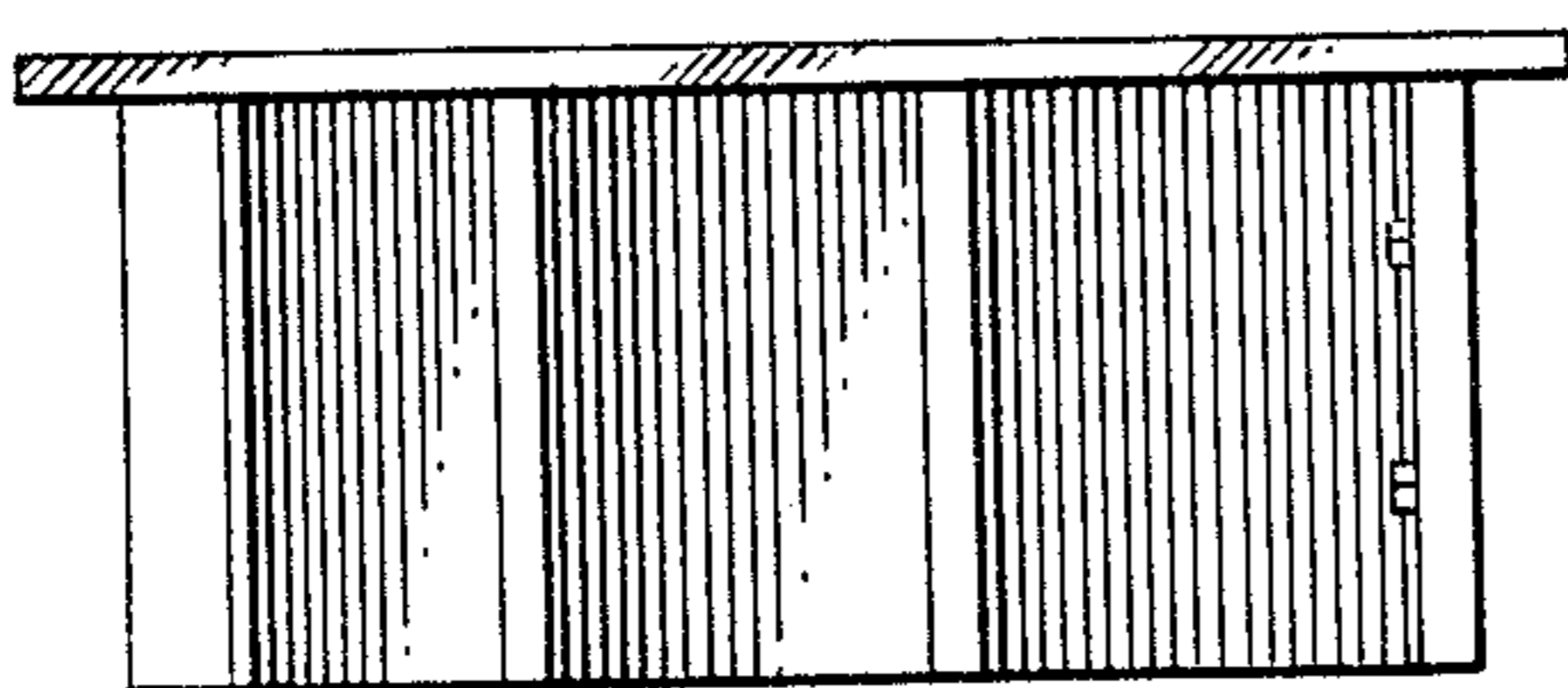


FIG. 10.

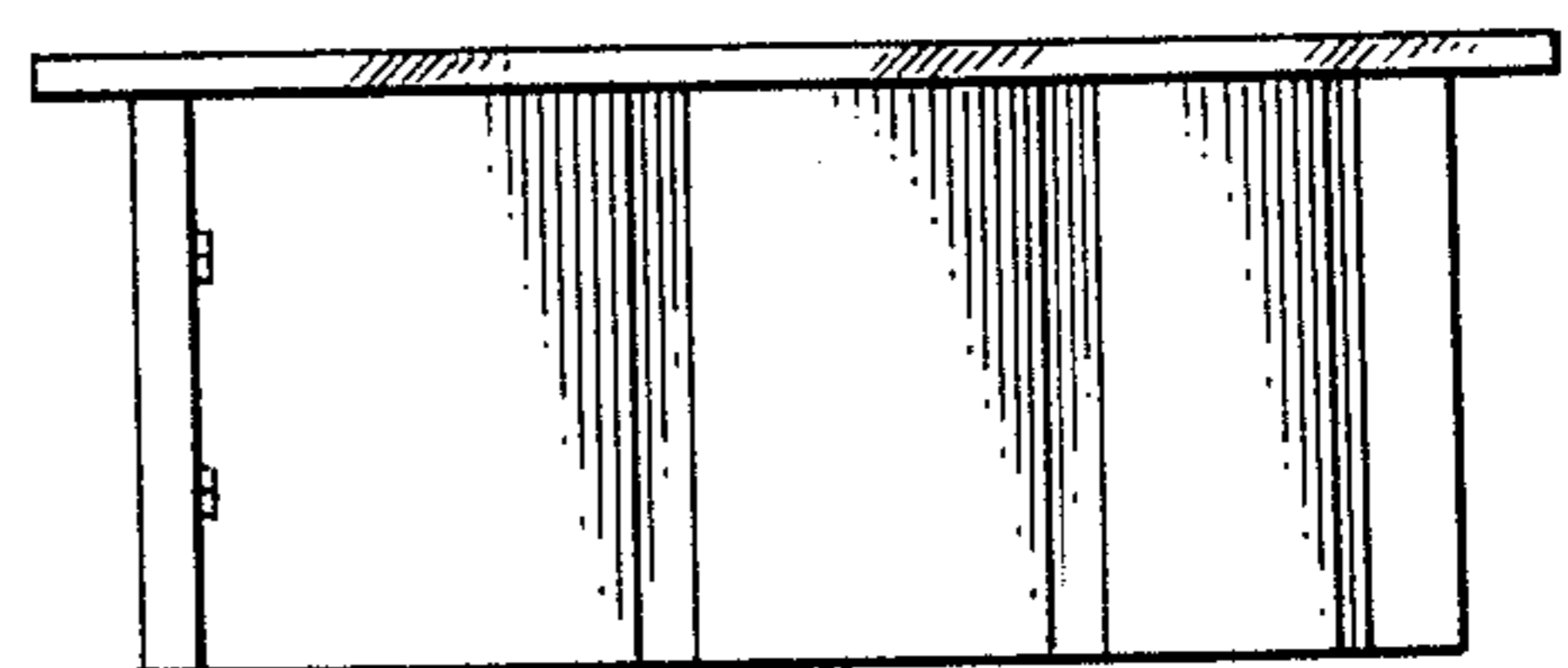


FIG. 11.

