

[54] **TIE RACK OR THE LIKE**  
[76] **Inventor: William D. Ritchey, 1617 M St.,  
Bedford, Ind. 47421**

3,203,556 8/1965 Tejerian ..... 211/119  
3,592,343 7/1971 Swett ..... 211/13  
3,783,995 1/1974 Tobin ..... 223/DIG. 1  
4,278,177 7/1981 Fahmi ..... 211/117

[\*\*] **Term: 14 Years**

*Primary Examiner*—B. J. Bullock  
*Attorney, Agent, or Firm*—Barnes & Thornburg

[21] **Appl. No.: 400,742**

[57] **CLAIM**

[22] **Filed: Jul. 22, 1982**

The ornamental design for a tie rack or the like, as shown.

[52] **U.S. Cl. .... D6/327; D6/513**

[58] **Field of Search .... D6/113, 116, 117, 247,  
D6/251, 118; 223/85, DIG. 1; 211/13, 113,  
115, 117, 118, 119**

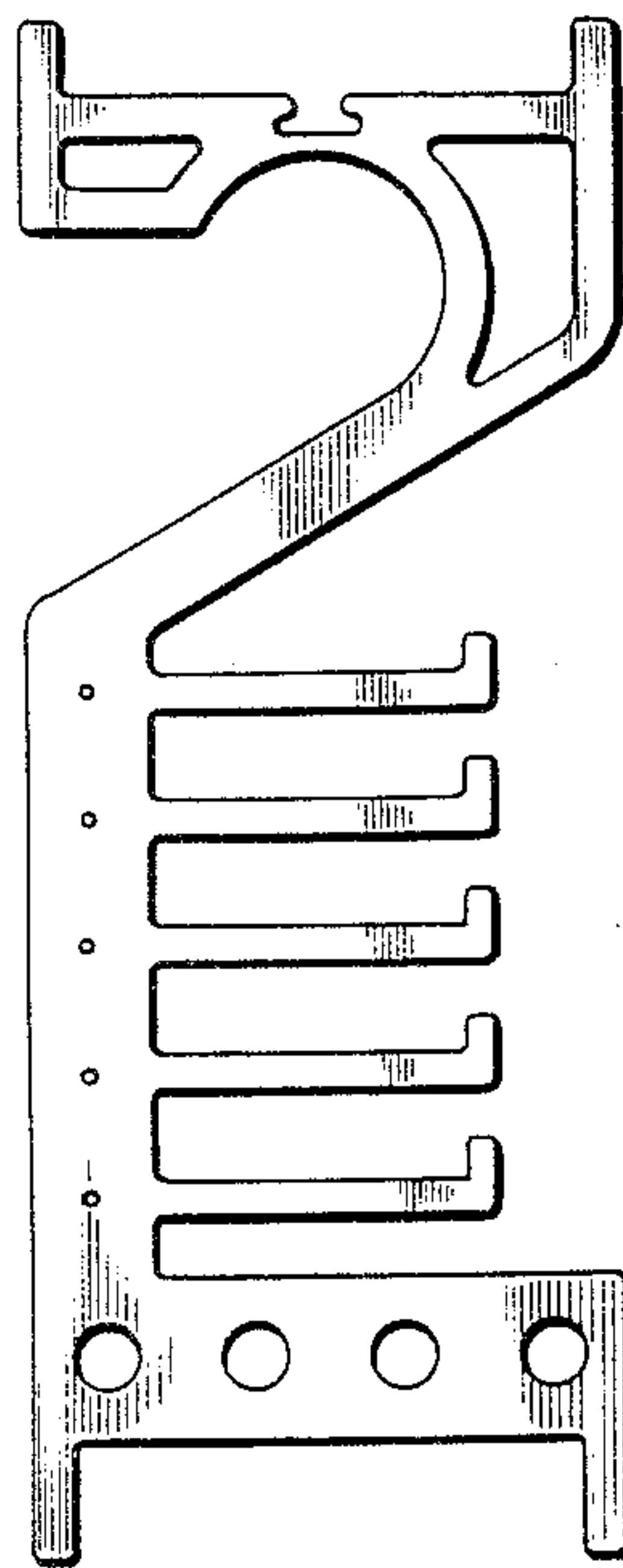
**DESCRIPTION**

[56] **References Cited**

**U.S. PATENT DOCUMENTS**

D. 207,076 2/1967 Bertram ..... D6/251  
D. 238,032 12/1975 Duncan ..... D6/251

FIG. 1 is a front view of the tie rack or the like showing my new design;  
FIG. 2 is a side view taken from the left of FIG. 1;  
FIG. 3 is a side view taken from the right of FIG. 1;  
FIG. 4 is a rear view thereof;  
FIG. 5 is a top view thereof;  
FIG. 6 is a bottom view thereof.



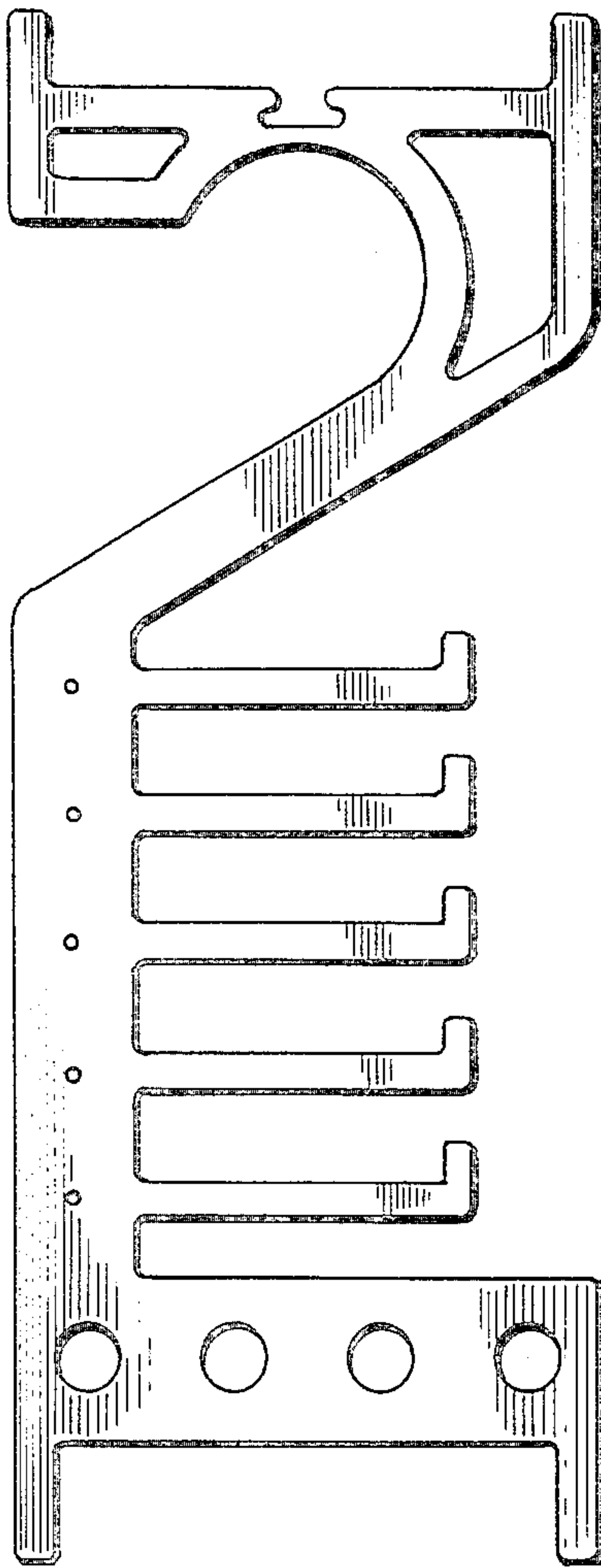


FIG. 1

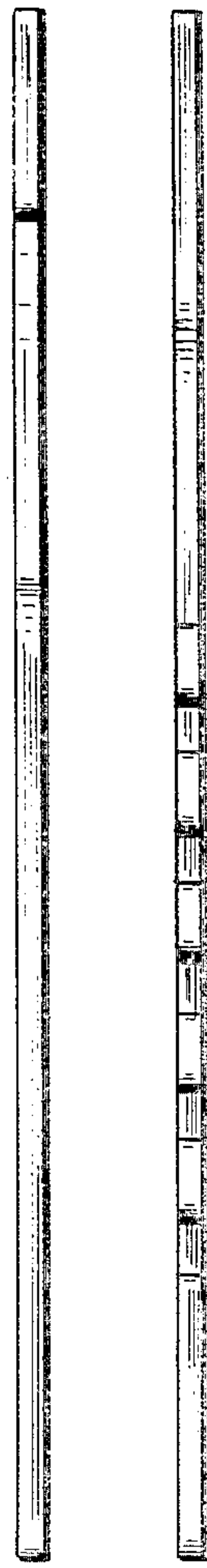


FIG. 2 FIG. 3

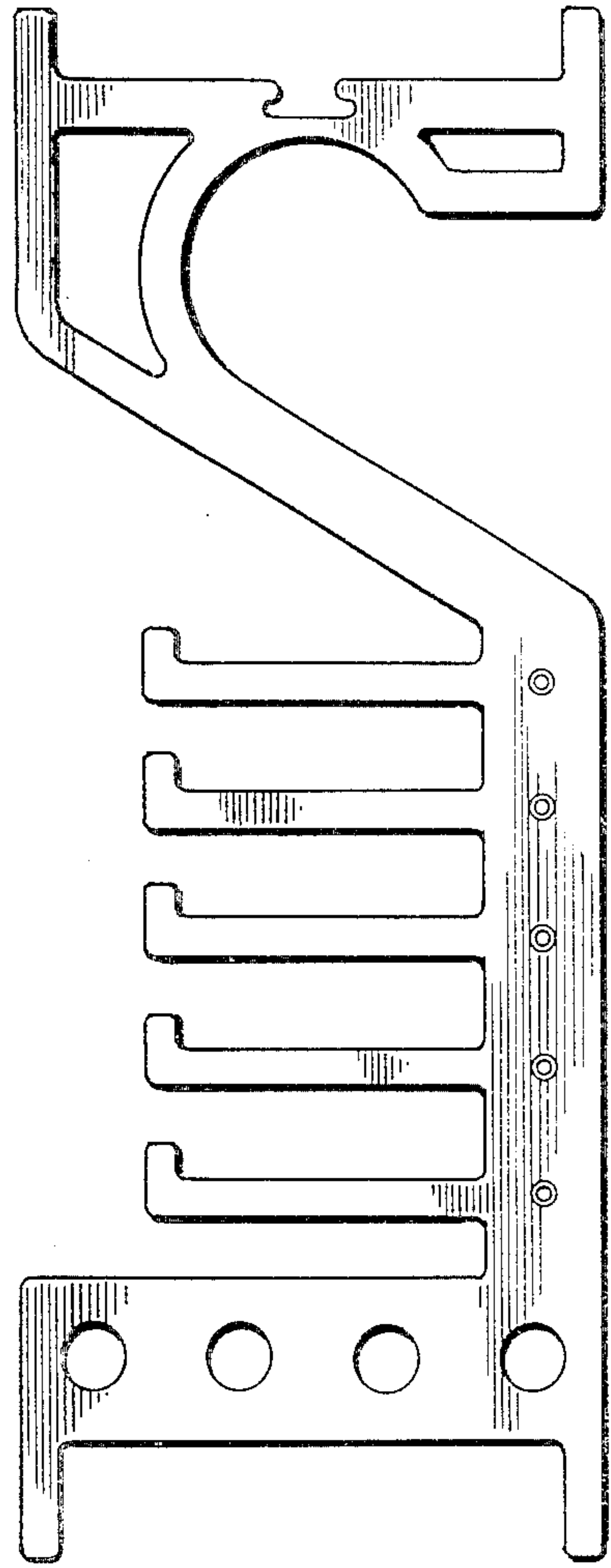


FIG. 4



FIG. 5

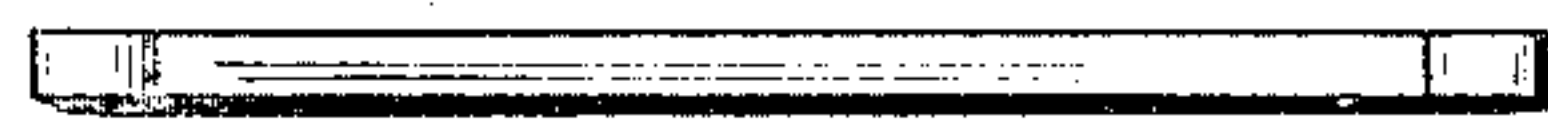


FIG. 6