

[54] **INVERTIBLE WHEELED STOOL FOR A CHILD**

[75] Inventors: **Nils A. I. Petersson, Killeberg; Nils B. L. Sander, Osby, both of Sweden**

[73] Assignee: **Brio Toy AB, Osby, Sweden**

[**] Term: **14 Years**

[21] Appl. No.: **380,099**

[22] Filed: **May 20, 1982**

[52] U.S. Cl. **D6/335; D6/349; D21/71**

[58] Field of Search **D6/5, 7, 3, 10, 32, D6/47, 63, 64, 65; D21/71, 76**

[56] **References Cited**

U.S. PATENT DOCUMENTS

D. 234,652 4/1975 Schug D6/3

D. 265,026 6/1982 Macho D6/32
D. 266,100 9/1982 Miller D21/76
D. 268,796 5/1983 Kola D6/32 X
D. 271,256 11/1983 McClelland D6/32
2,440,979 5/1948 Schneider D6/63 X

Primary Examiner—Bruce W. Dunkins
Attorney, Agent, or Firm—Barnes, Kisselle, Raisch, Choate, Whittemore & Hulbert

[57] **CLAIM**

The ornamental design for an invertible wheeled stool for a child, as shown and described.

DESCRIPTION

FIG. 1 is a perspective view of an invertible wheeled stool for a child showing our design in position for use as a stool; and FIG. 2 is a perspective view thereof shown in inverted position for use as a wheeled toy.

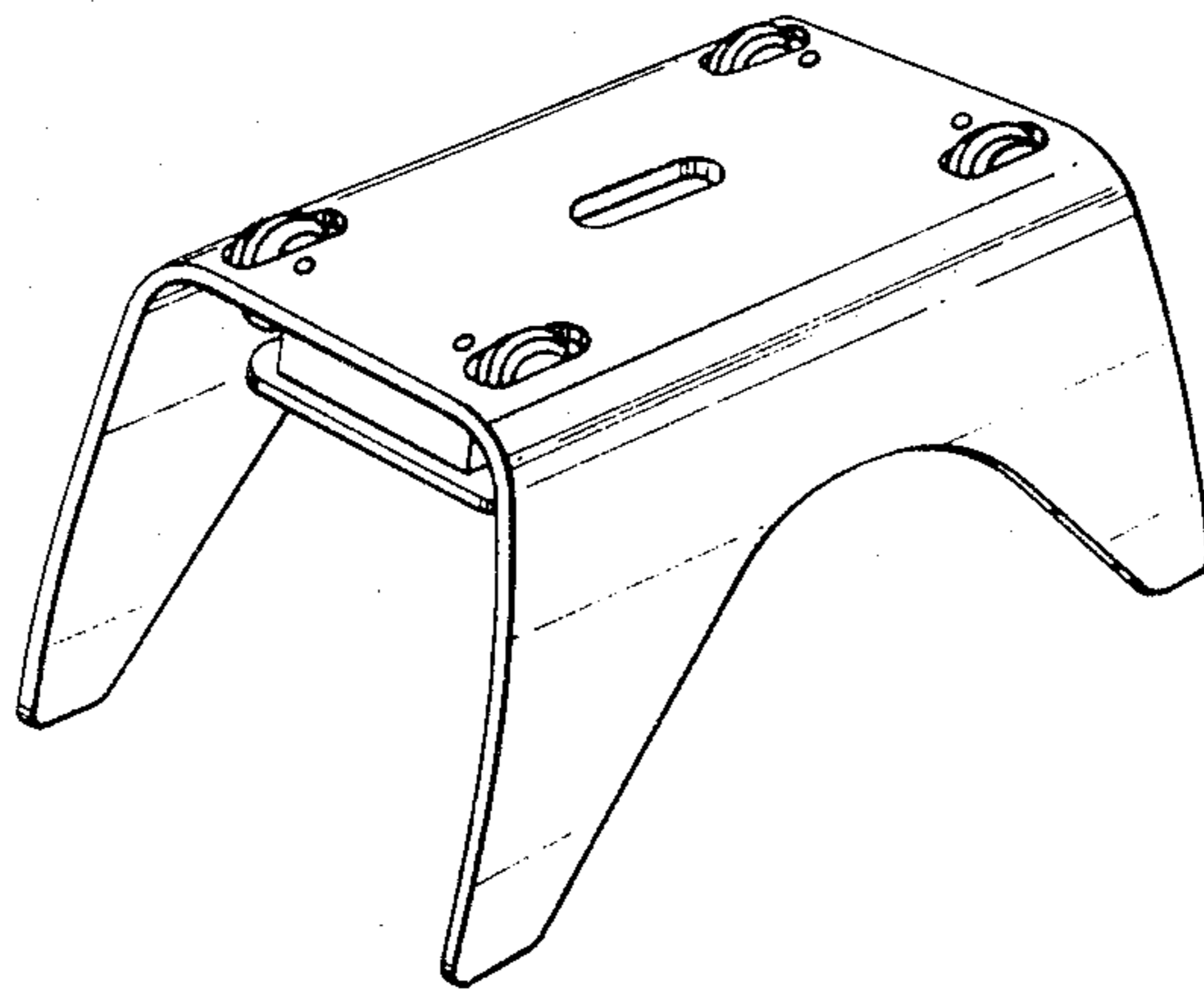


FIG. 1

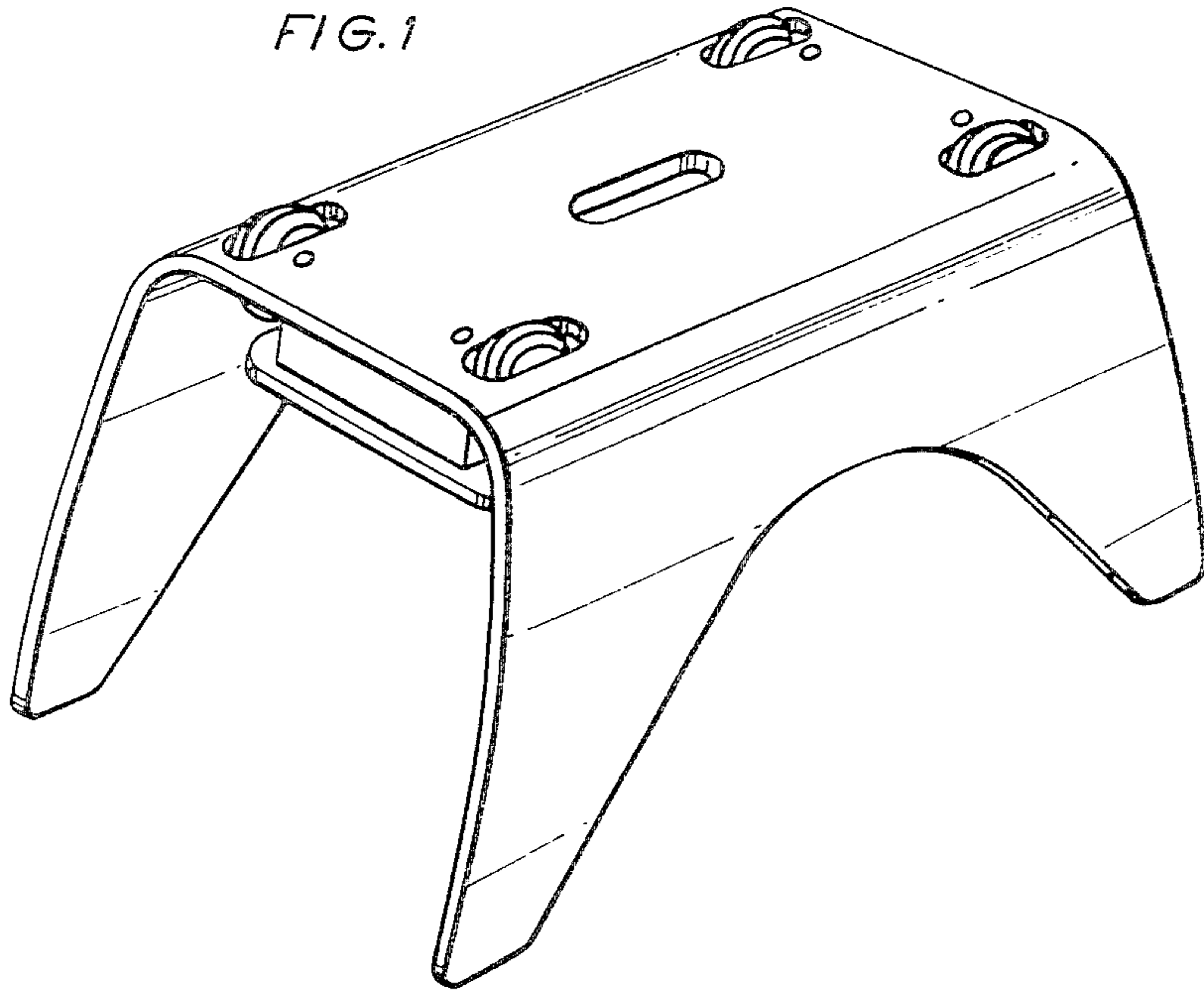


FIG. 2

