

[54] BOOT JACK OR SIMILAR ARTICLE

[76] Inventor: Timothy J. Tracey, 639 Rex Blvd., Warren, Ohio 44483

[\*\*] Term: 14 Years

[21] Appl. No.: 376,246

[22] Filed: May 10, 1982

[52] U.S. Cl. .... D2/378.2; D6/563

[58] Field of Search ..... D2/378, 378.2; D6/85, D6/79, 81, 82, 151, 132, 182; 223/113, 114, 115, 116, 117

[56] References Cited

U.S. PATENT DOCUMENTS

D. 143,819	2/1946	Hauret	.....	D2/378.2
530,080	12/1894	Bisanz	.....	223/113
2,725,167	11/1955	Barnes	.....	223/113
3,103,899	9/1963	Macken	.....	D6/151
4,262,828	4/1981	Kosakai	.....	223/115

OTHER PUBLICATIONS

*Furniture Retailer*, Jul. 1969, p. 6; center right Headboard by "Beau Monde Creations".

Primary Examiner—Bernard Ansher  
Assistant Examiner—Carmen H. Vales

Attorney, Agent, or Firm—Michael Williams; Warren N. Low

[57] CLAIM

The ornamental design for a boot jack or similar article, substantially as shown and described.

DESCRIPTION

FIG. 1 is a perspective view of boot jack or similar article, showing my new design,  
 FIG. 2 is a front elevational view thereof,  
 FIG. 3 is a top plan view thereof,  
 FIG. 4 is a reduced scale rear elevational view thereof,  
 FIG. 5 is a cross sectional view taken on the line 5—5 of FIG. 2,  
 FIG. 6 is a fragmentary cross sectional view taken on either one of the two lines 6—6 of FIG. 2,  
 FIG. 7 is a fragmentary cross sectional view taken on either one of the two lines 7—7 of FIG. 2,  
 FIG. 8 is a fragmentary cross sectional view taken on either one of the two lines 8—8 of FIG. 2,  
 FIG. 9 is a front elevational view of another embodiment of the boot jack or similar article shown in FIGS. 1-8 with the four areas between the spokes being padded; and,  
 FIG. 10 is a cross sectional view taken along line 10—10 of FIG. 9.

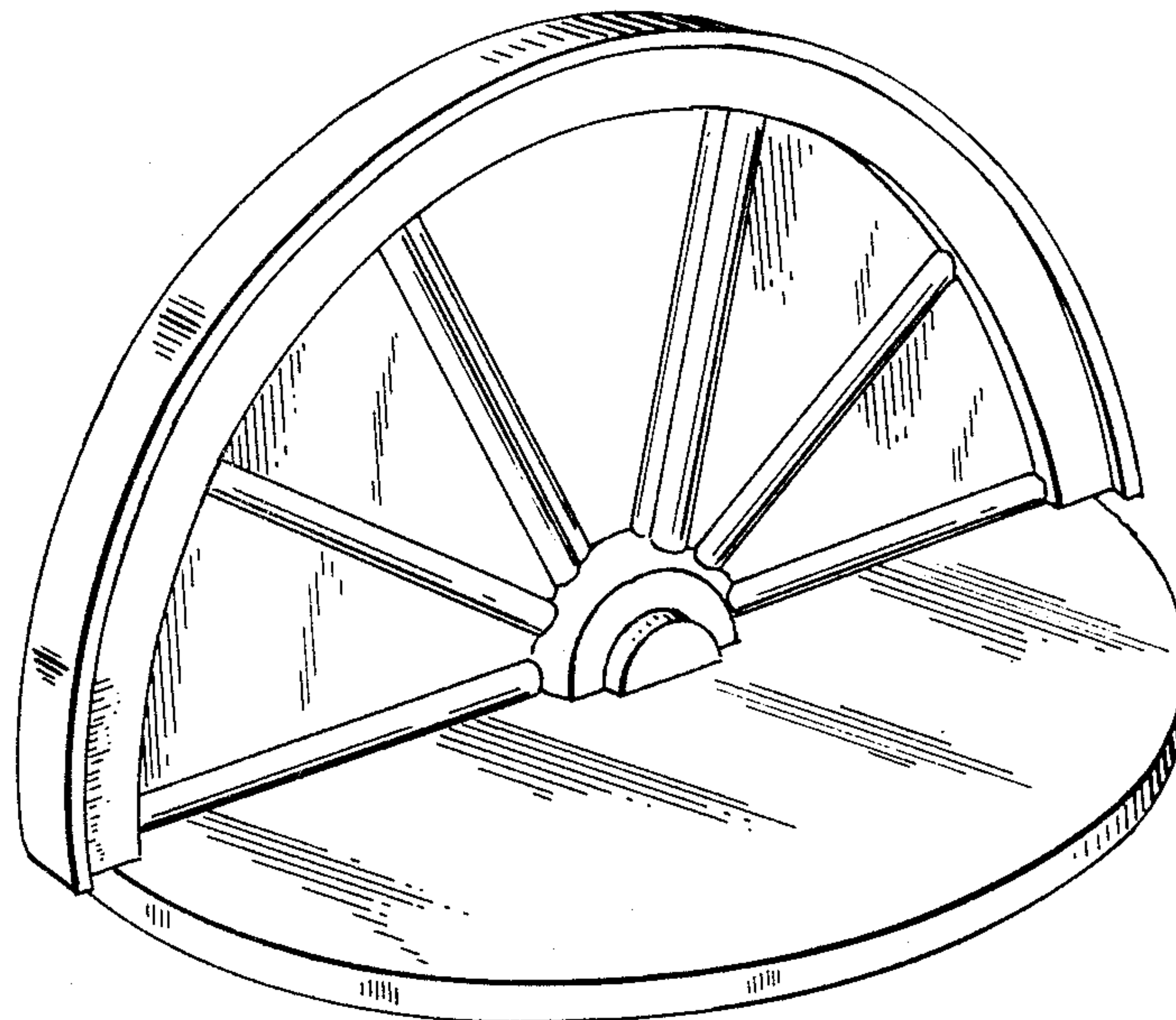


FIG. 1.

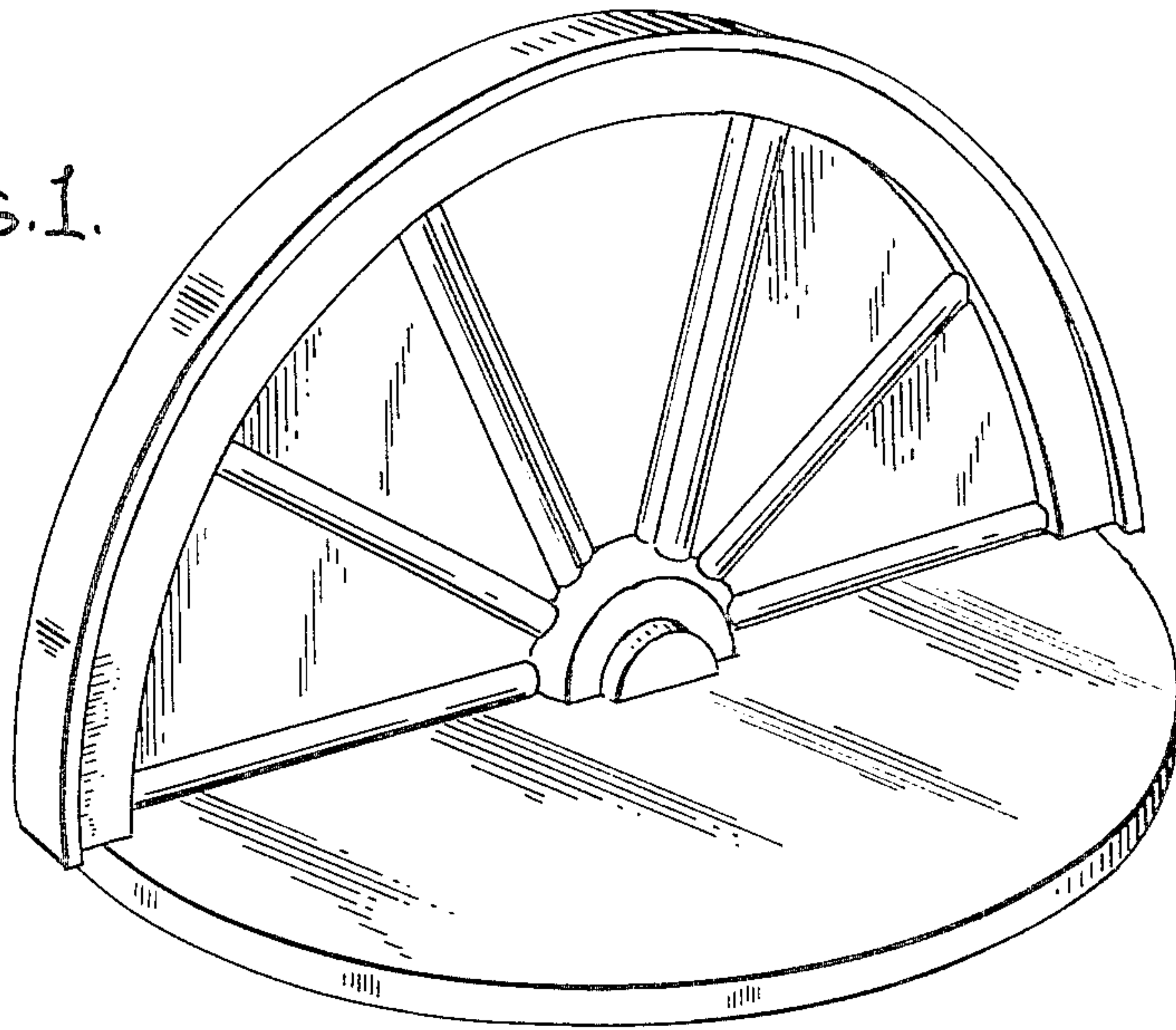


FIG. 2.

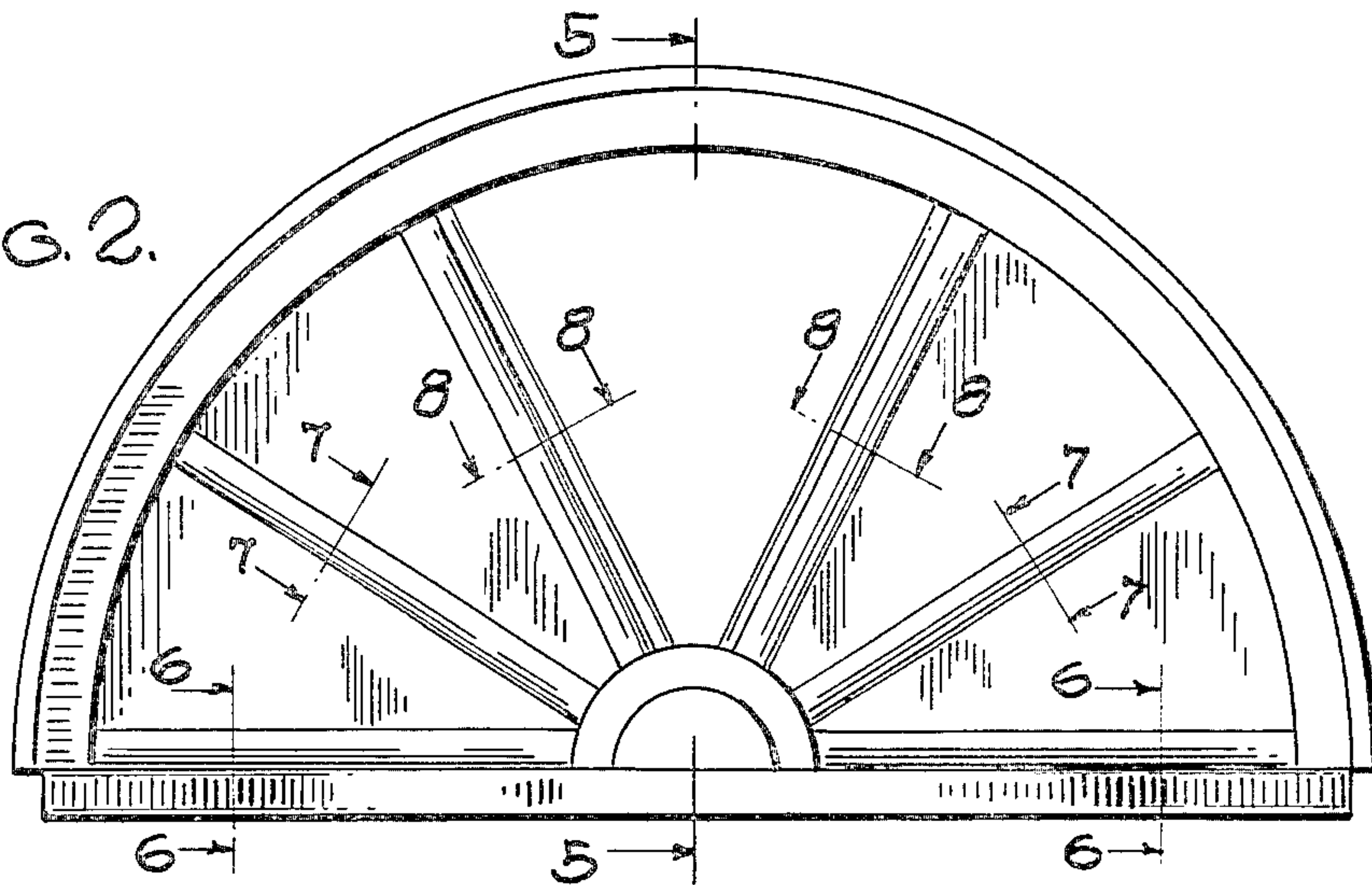


FIG. 3.

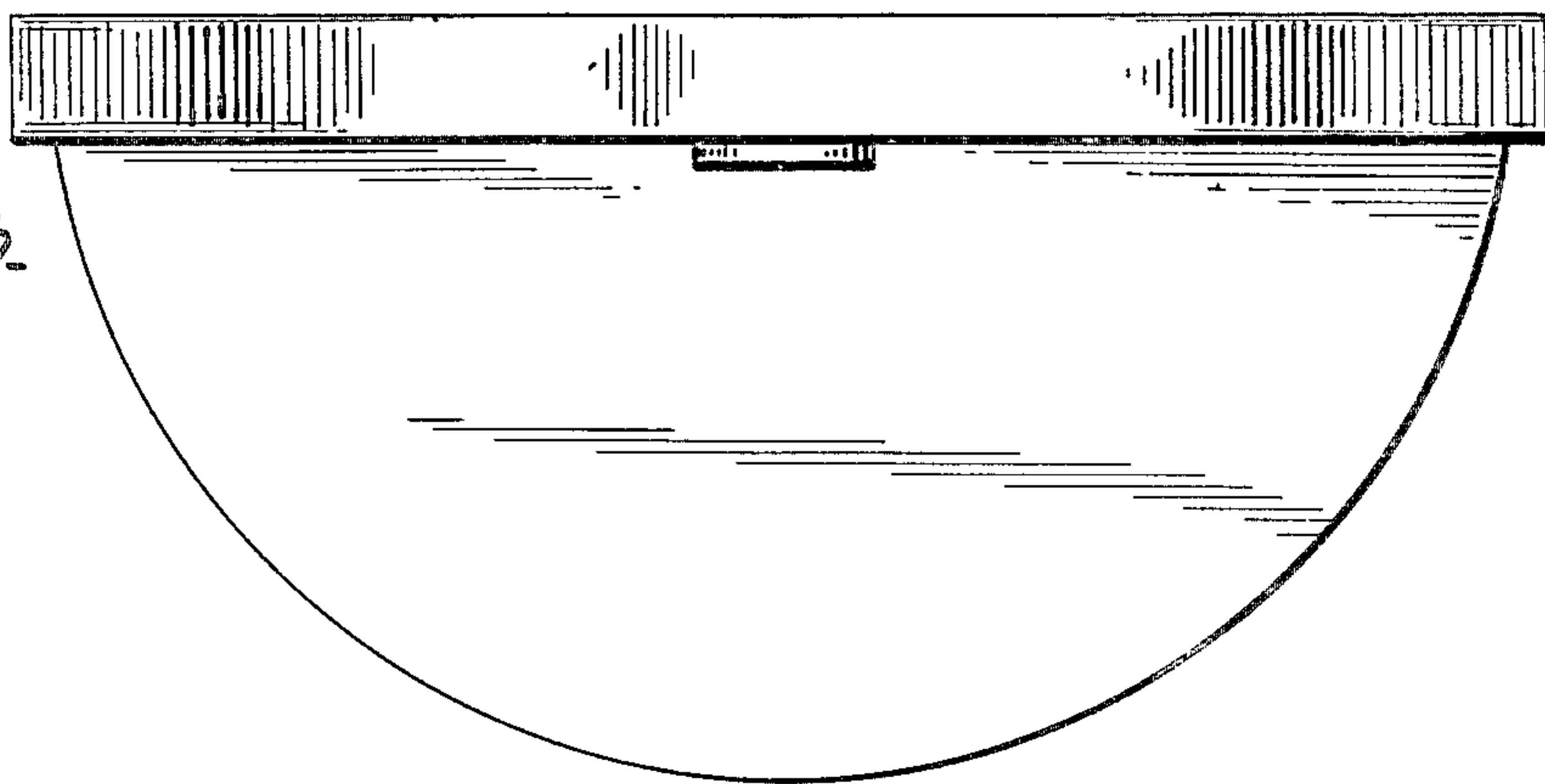


FIG. 5.

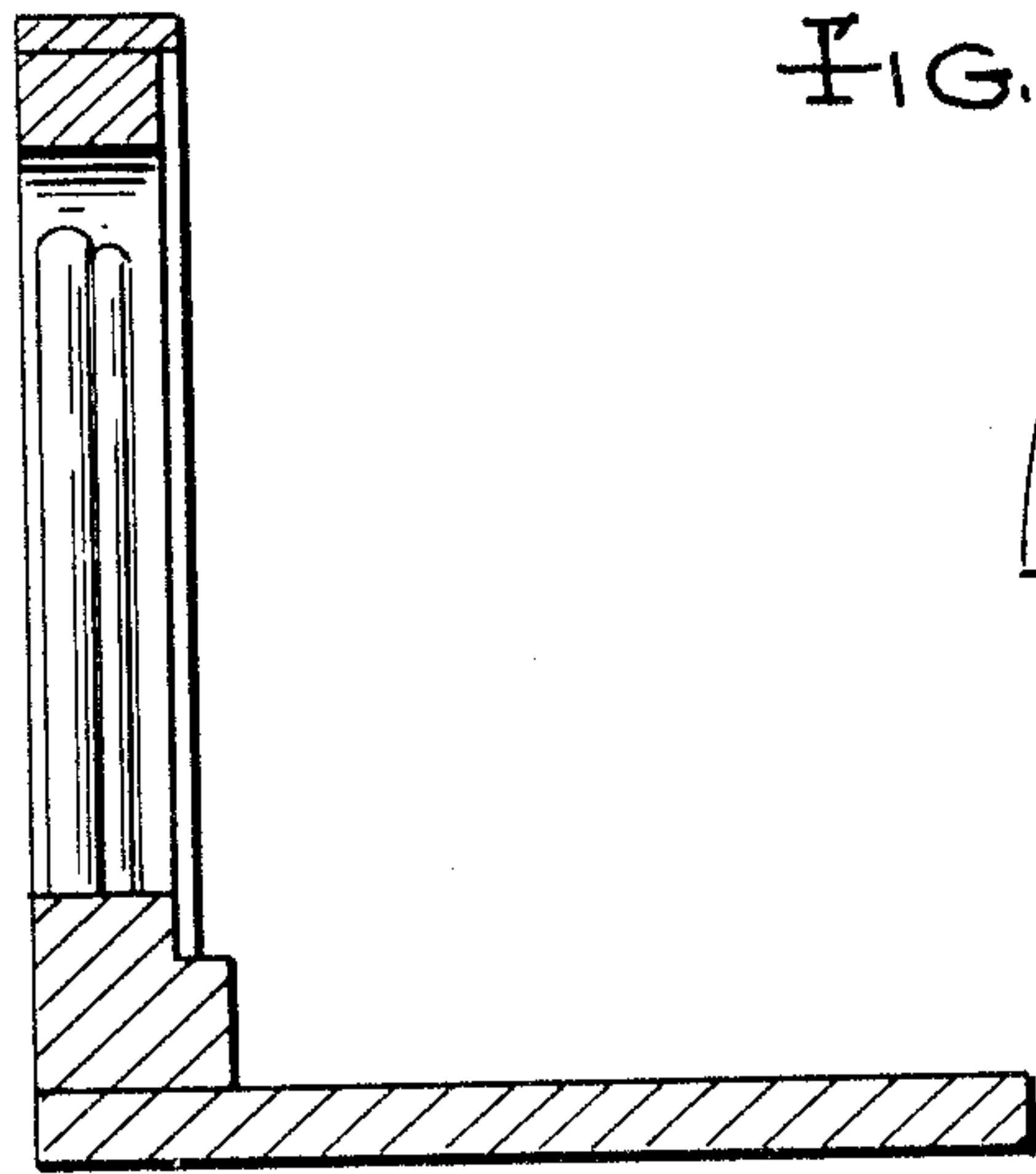


FIG. 4.

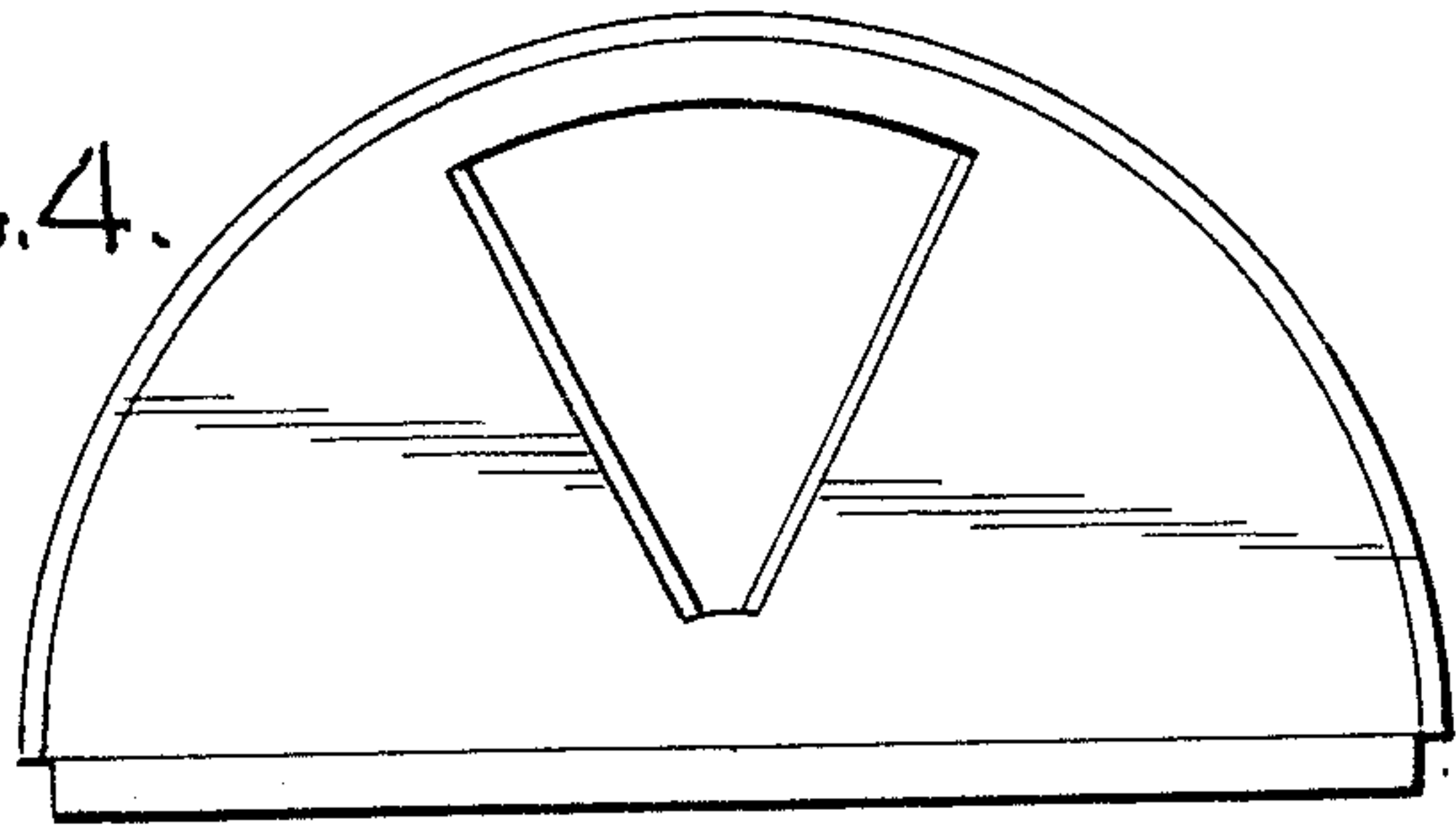


FIG. 7.



FIG. 8.

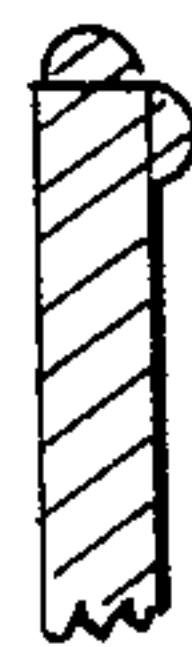


FIG. 6.

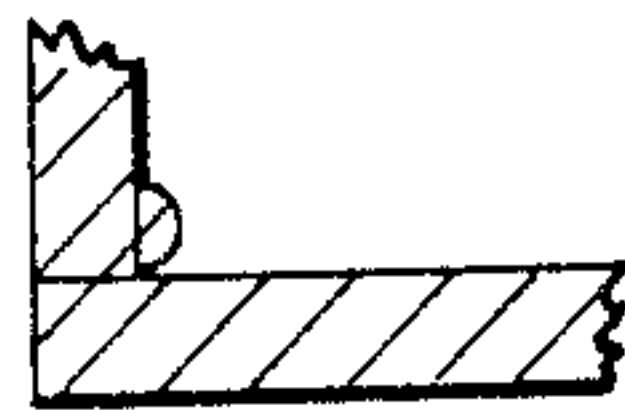


FIG. 9.

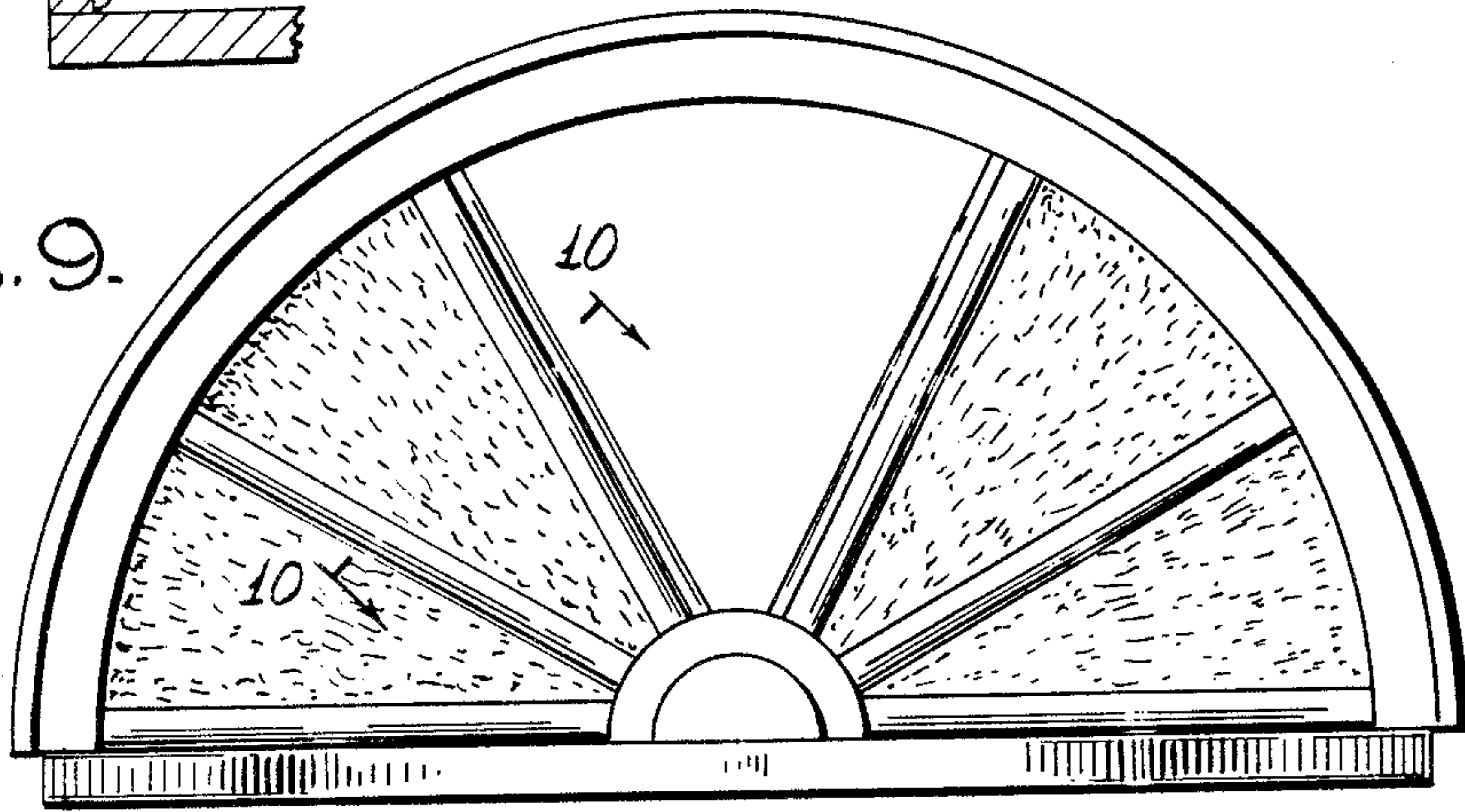


FIG 10

