

[54] TRASHCAN HOLDER

[76] Inventor: Flagg L. Warren, R.R. 3, Box 156, Manvel, Tex. 77578

[**] Term: 14 Years

[21] Appl. No.: 386,867

[22] Filed: Jun. 10, 1982

[52] U.S. Cl. D34/6

[58] Field of Search D34/1, 5, 6; 248/DIG. 7

FOREIGN PATENT DOCUMENTS

1261441 2/1968 Fed. Rep. of Germany ... 248/DIG. 7

Primary Examiner—Catherine E. Kemper
Attorney, Agent, or Firm—Jack Darrell

[57] CLAIM

The ornamental design for a trashcan holder, substantially as shown and described.

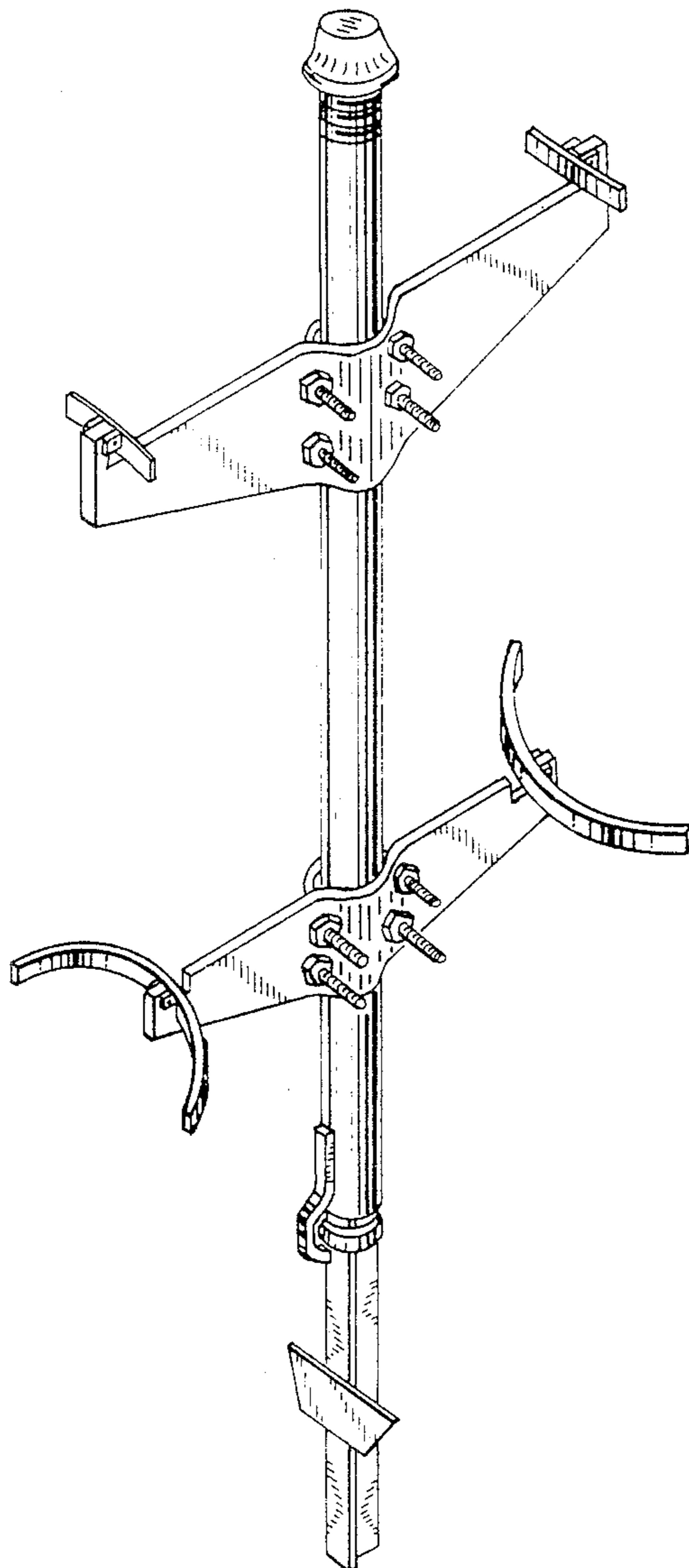
DESCRIPTION

FIG. 1 is a front perspective view of a trashcan holder showing my new design;
FIG. 2 is a bottom plan view thereof;
FIG. 3 is a top plan view thereof, with the pipe cap omitted for ease of illustration;
FIG. 4 is a front elevational view thereof, the rear view being substantially a mirror image thereto; and
FIG. 5 is a left side elevational view thereof, the right side being substantially a mirror image thereto.
The central support column has been shown in FIGS. 4 and 5 for clarity of disclosure and ease of illustration.

[56] References Cited

U.S. PATENT DOCUMENTS

D. 260,475	9/1981	Hall	D7/193
3,091,342	5/1963	Crump	D34/6 X
3,173,547	3/1965	Alissandratos	248/DIG. 7
3,268,086	8/1966	Hendrickson	248/DIG. 7
3,593,993	7/1971	Bonneau	248/DIG. 7
3,666,223	5/1972	Moore	248/DIG. 7
3,675,783	7/1972	Reese	248/DIG. 7
4,191,297	3/1980	Hardman	248/DIG. 7



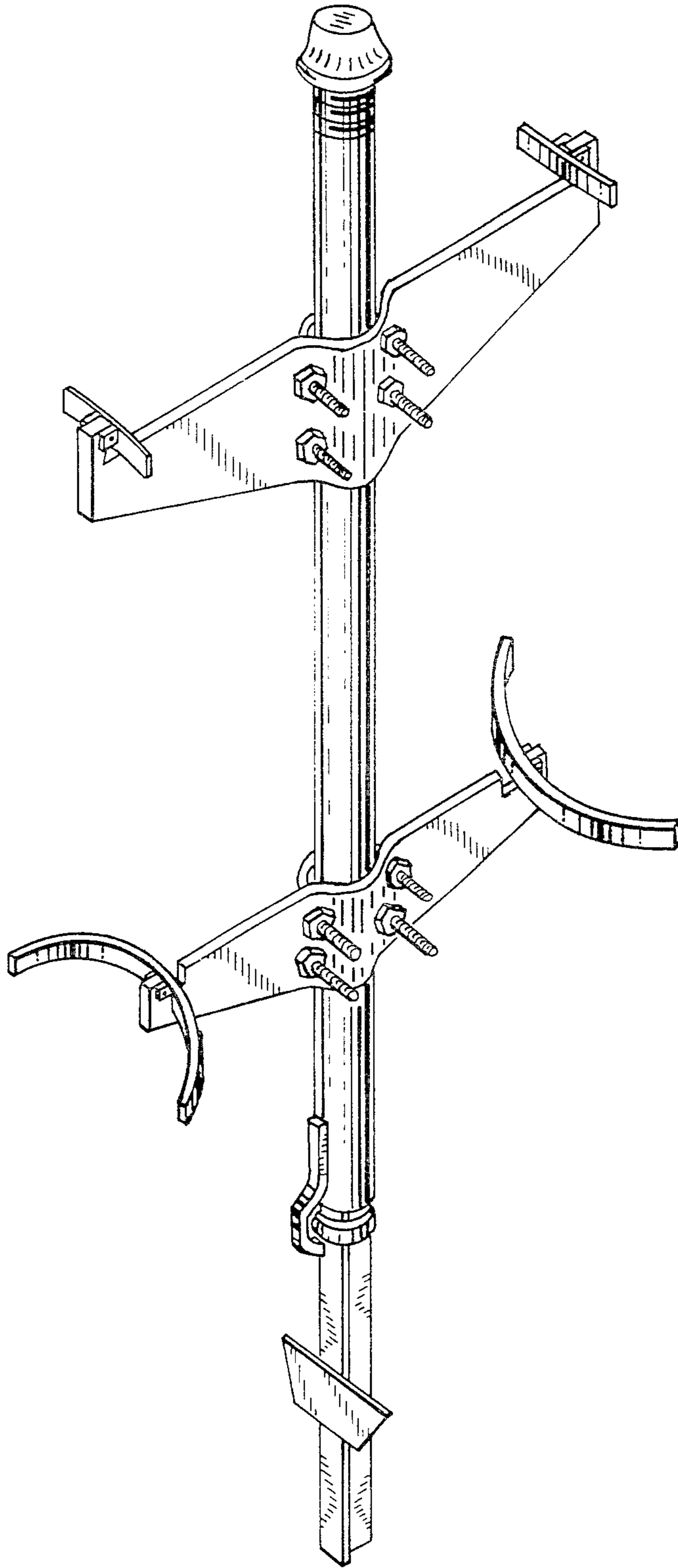


FIG. 1

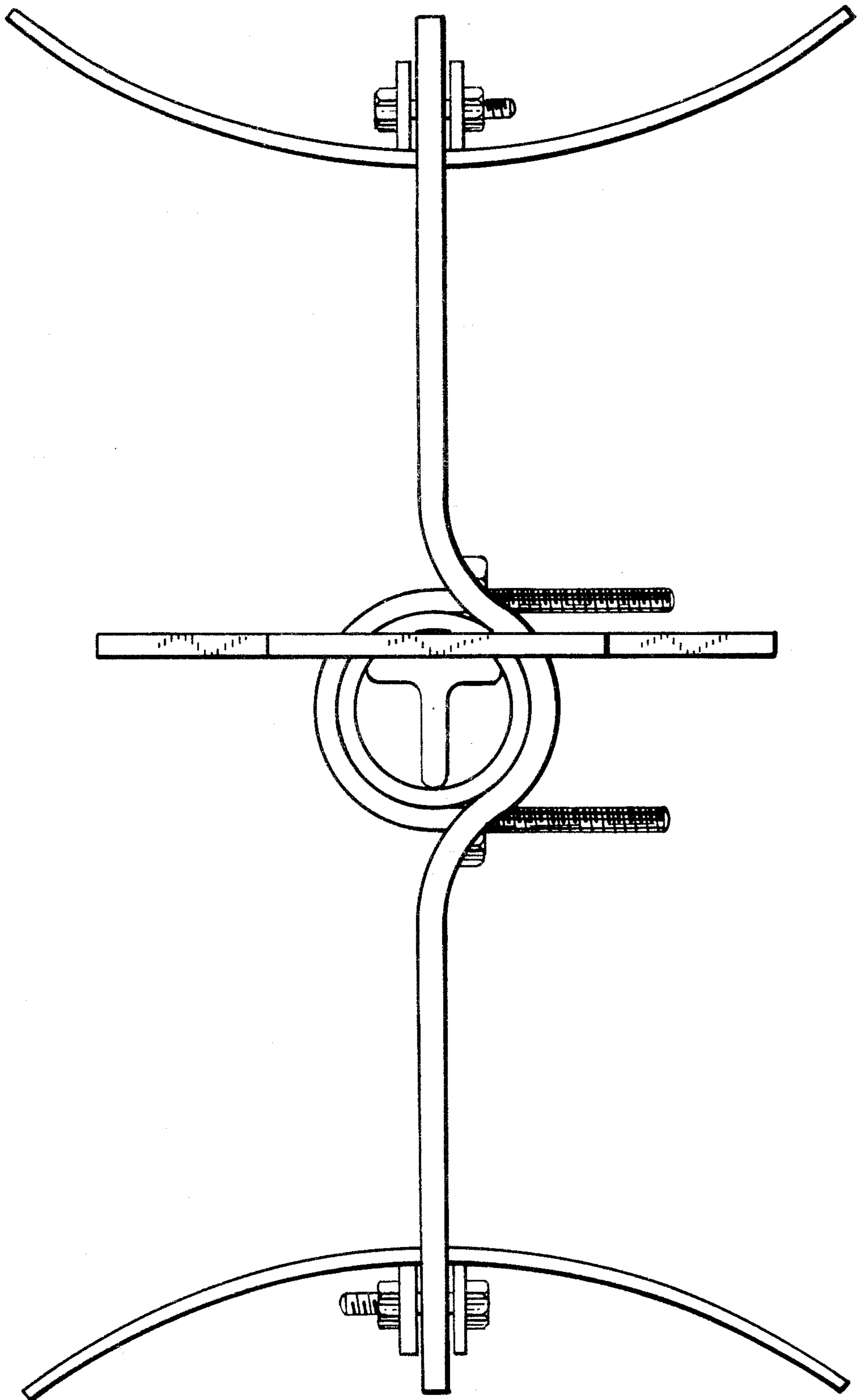


FIG. 2

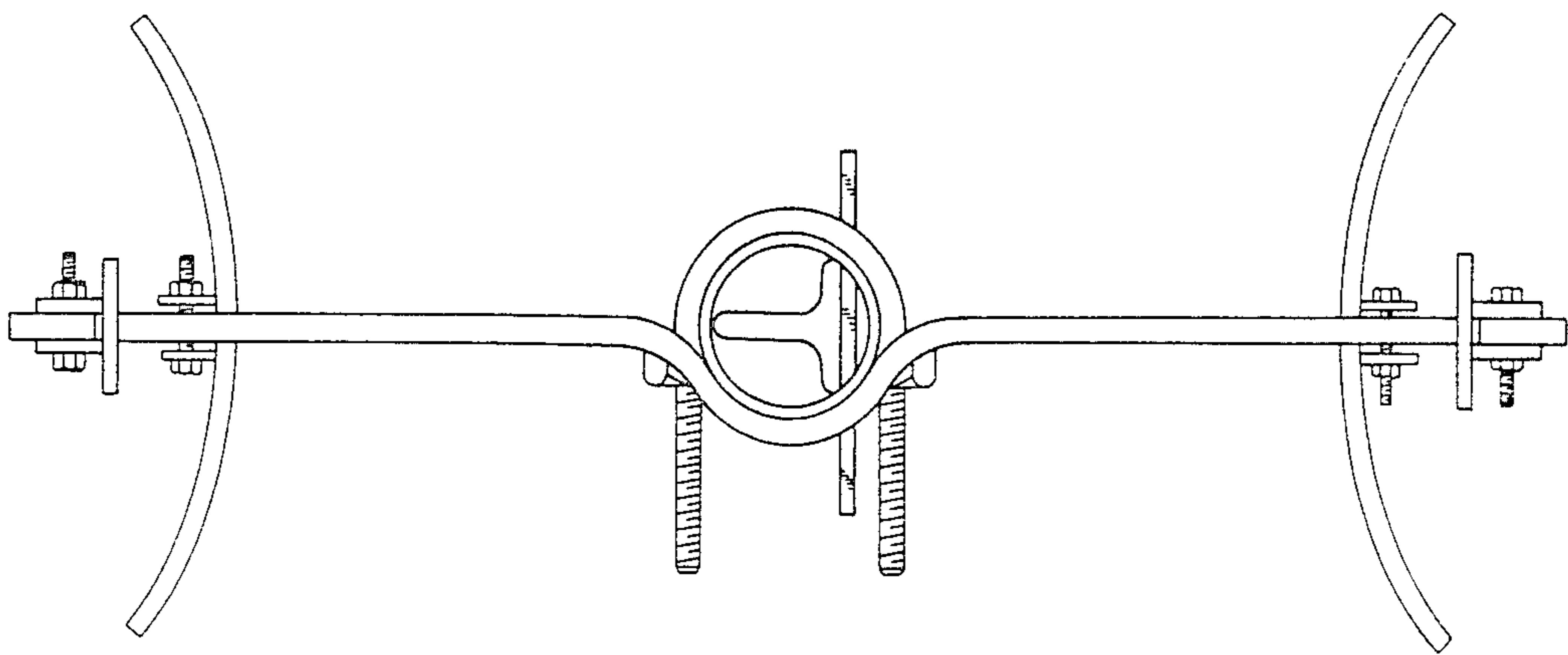


FIG. 3

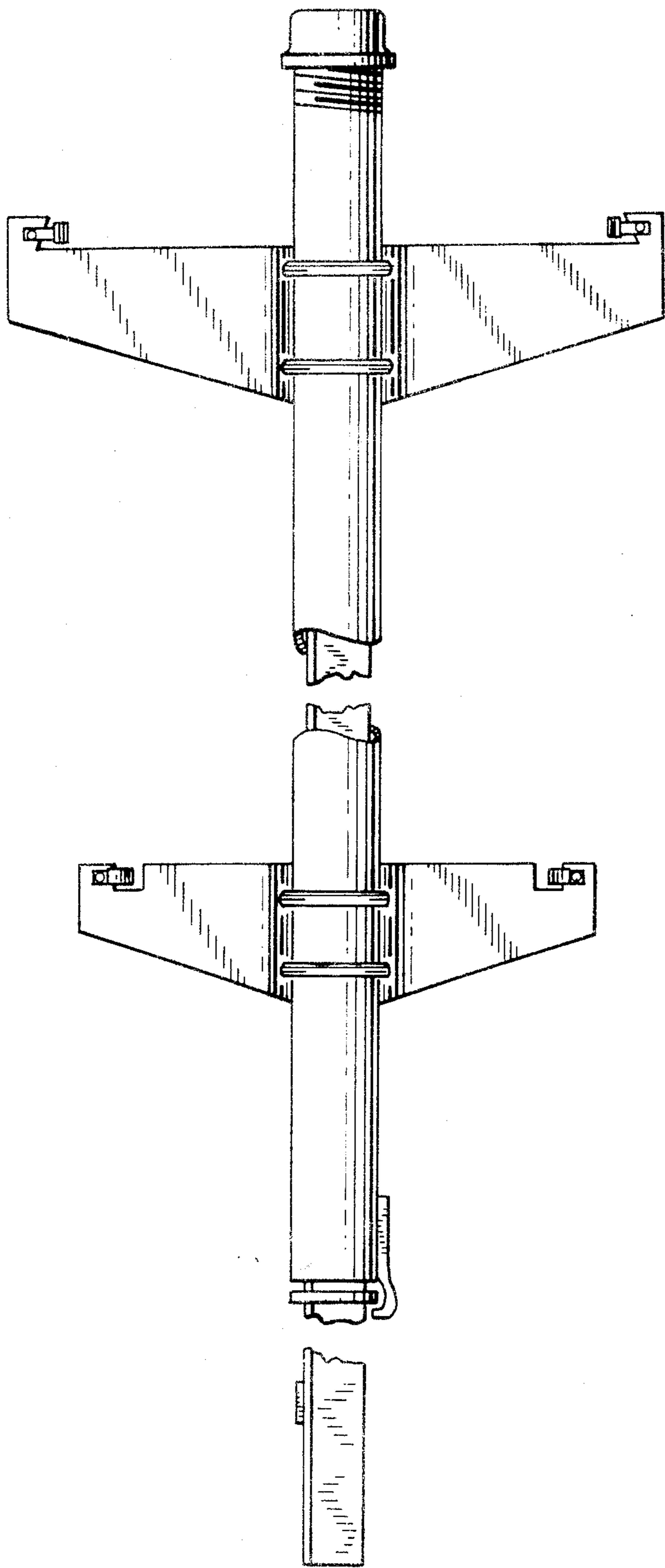


FIG 4

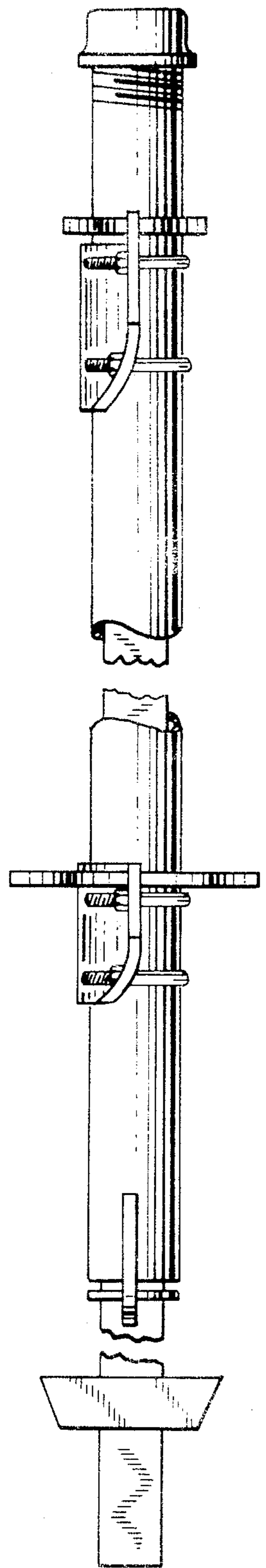


FIG. 5