

[54] FRAME MEMBER FOR A WINDOW AND THE LIKE

[76] Inventor: **Wictor C. O. Lindström**, Parkgatan 39 D, 244 02 Furulund, Sweden

[\*\*] Term: **14 Years**

[21] Appl. No.: **375,966**

[22] Filed: **May 7, 1982**

[30] **Foreign Application Priority Data**

Nov. 9, 1981 [SE] Sweden ..... 81-2579

[52] U.S. Cl. .... **D25/74**

[58] Field of Search ..... D25/73, 74, 75, 48, D25/52

[56] **References Cited**

**U.S. PATENT DOCUMENTS**

- D. 222,991 2/1972 Dallaire ..... D25/74
- D. 251,508 4/1979 Maricil ..... D24/74
- 2,119,685 6/1938 Peremi et al. .... D25/73 X
- 3,611,666 10/1971 Poyser et al. .... D25/73 X

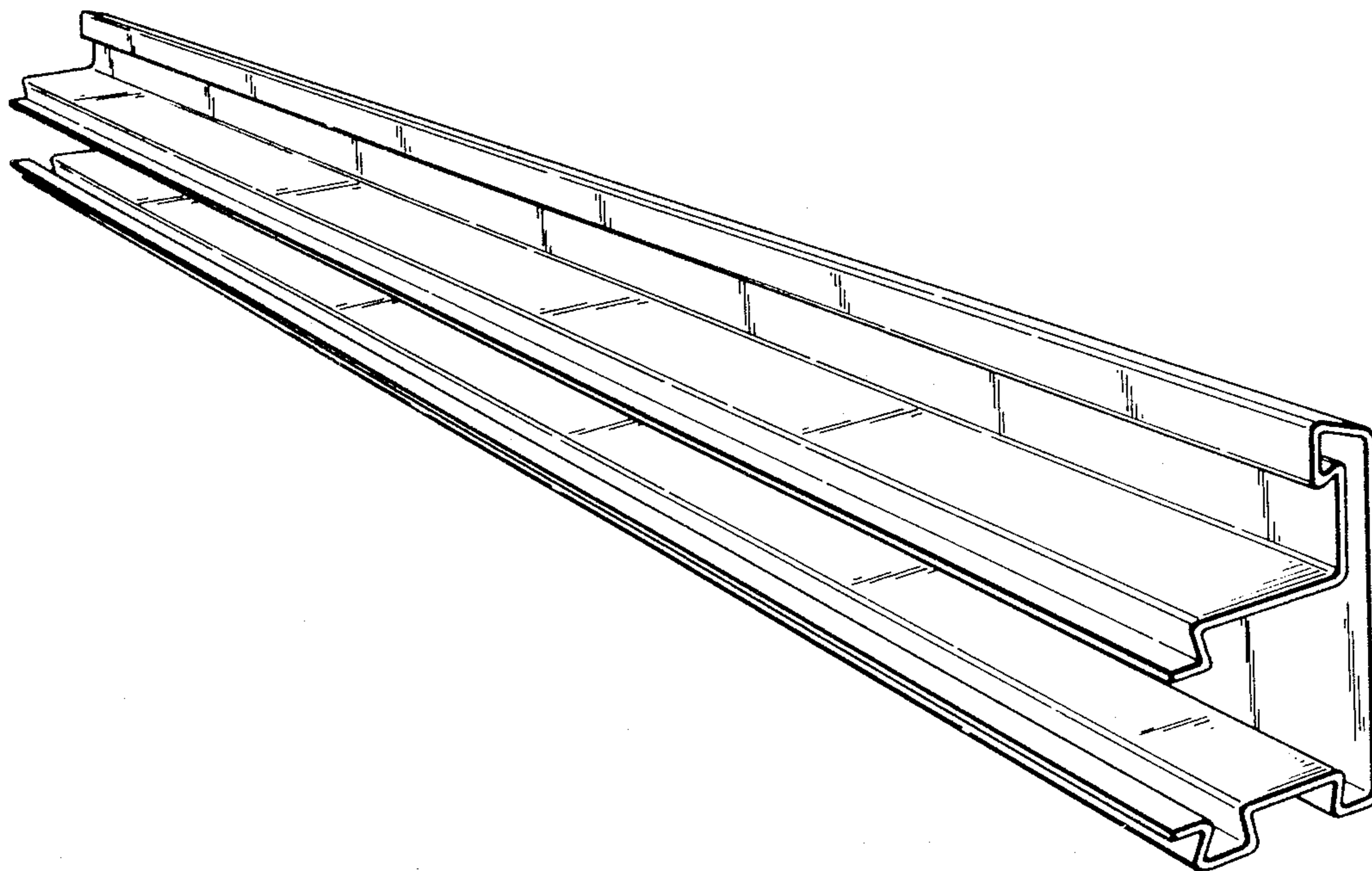
*Primary Examiner*—A. Hugo Word  
*Attorney, Agent, or Firm*—Bacon & Thomas

[57] **CLAIM**

The ornamental design for a frame member for a window and the like, as shown and described.

**DESCRIPTION**

FIG. 1 is a perspective view of the frame member for a window and the like showing our new design;  
 FIG. 2 is a top plan view of the frame profile;  
 FIG. 3 is a bottom plan view of the frame profile;  
 FIG. 4 is a front elevational view of the frame profile;  
 FIG. 5 is a rear elevational view of the frame profile;  
 and  
 FIG. 6 is a side elevational view of the frame profile.



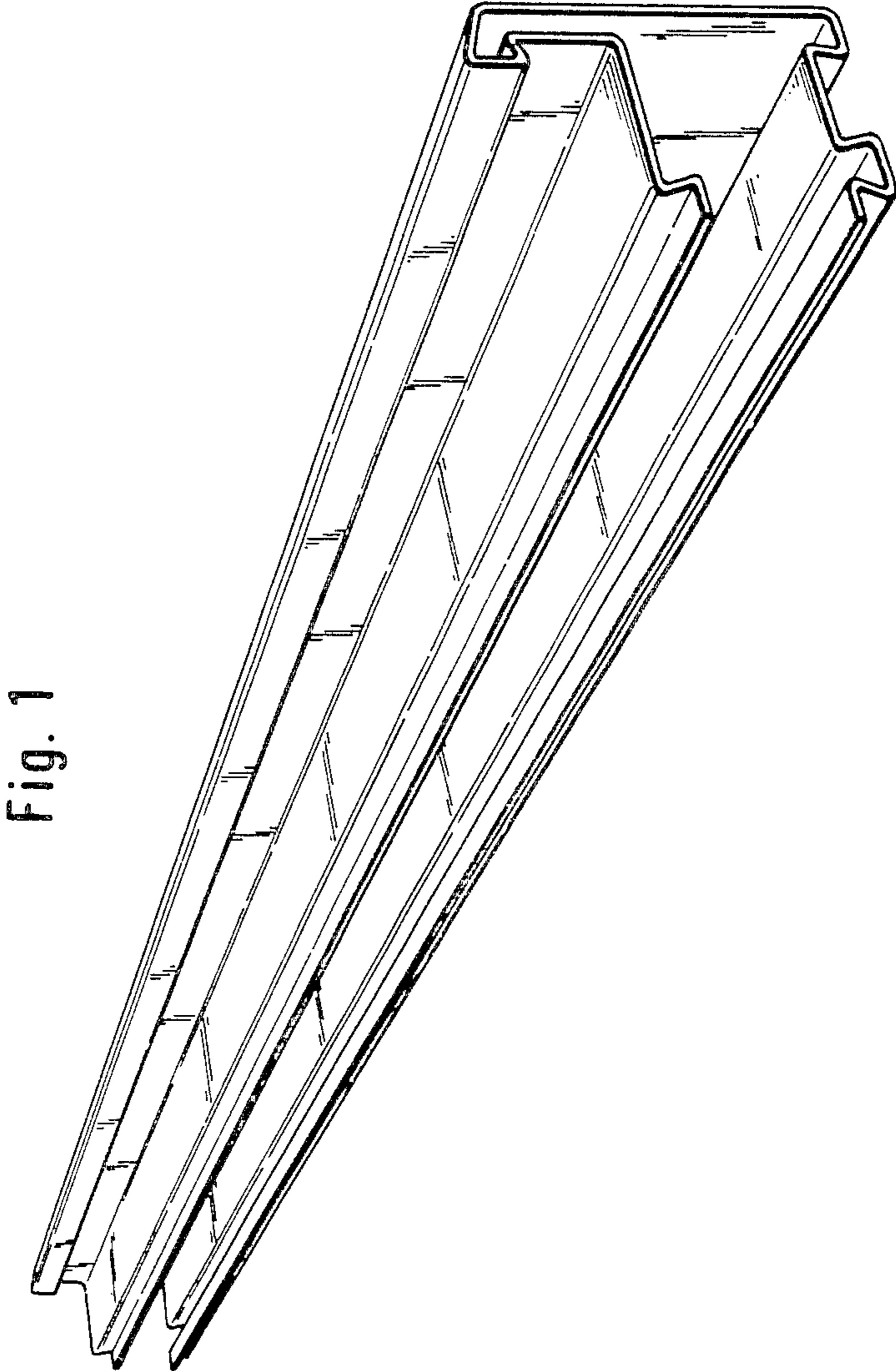


Fig. 1

Fig. 2

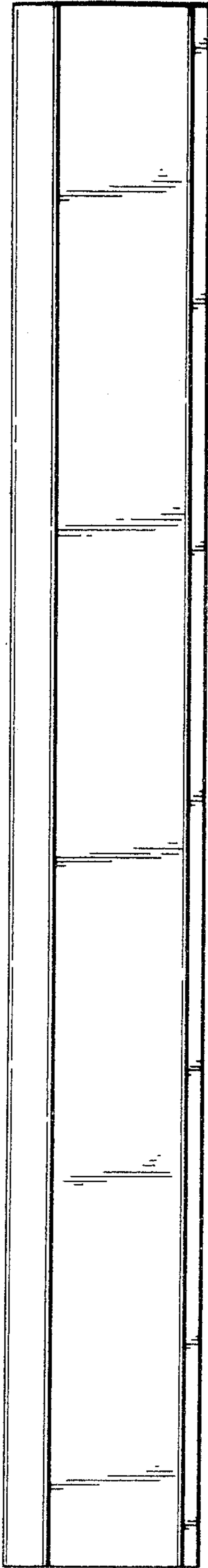


Fig. 3

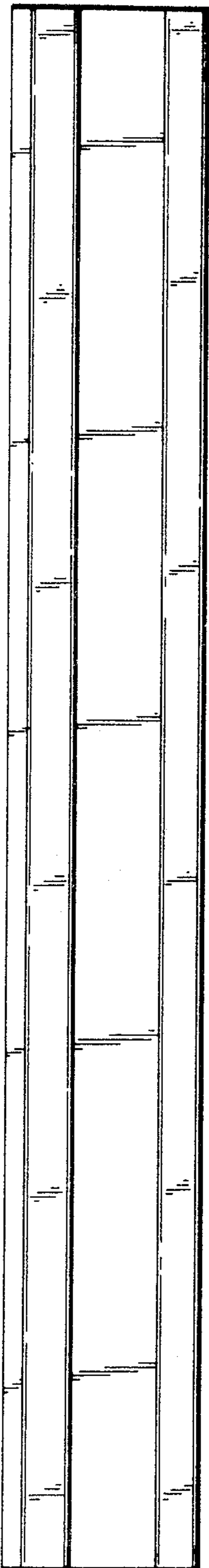


Fig. 4

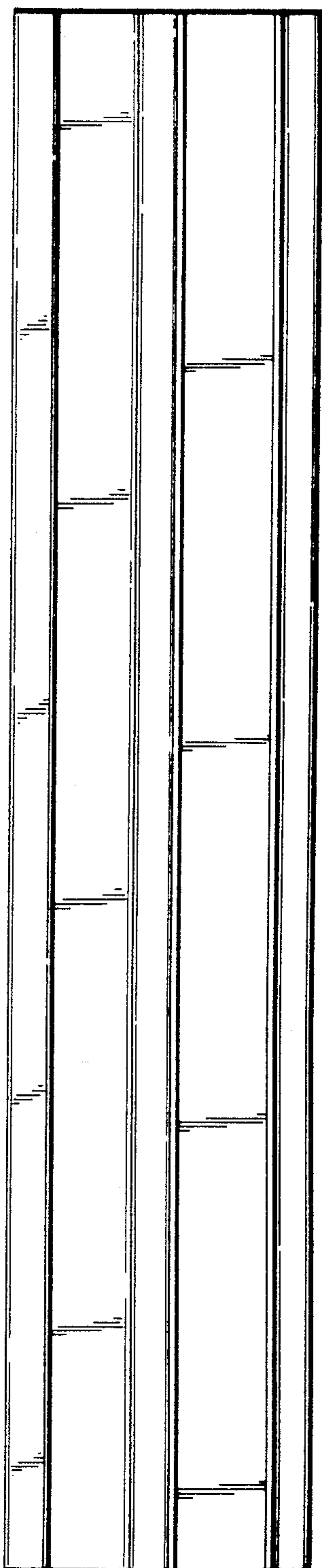


Fig. 5

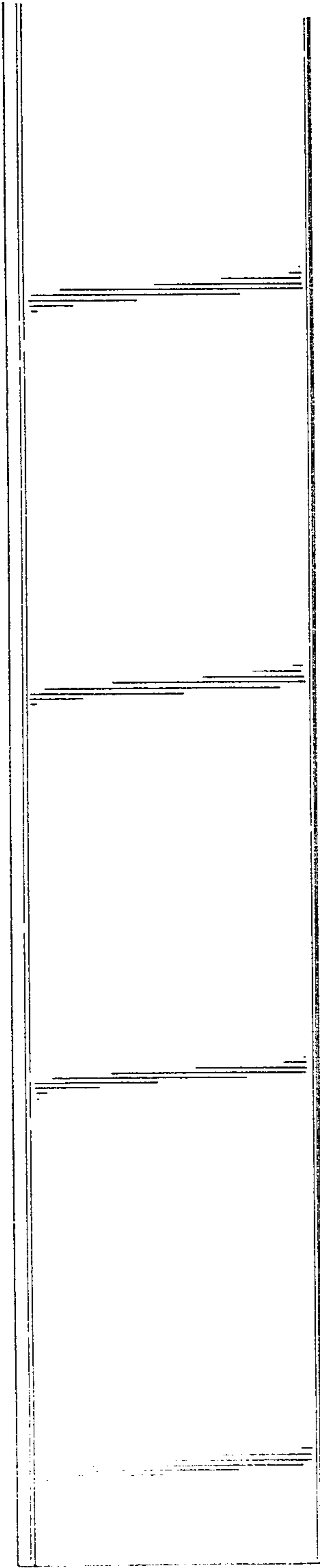


Fig. 6

