

[54] SURGICAL CLIP APPLIER

4,299,224 11/1981 Noiles ..... 128/325

[75] Inventors: David T. Green, Norwalk; Paul O. Rawson, Jr., Easton; Richard H. Yagami, Bridgewater, all of Conn.

FOREIGN PATENT DOCUMENTS

82200 9/1981 Australia .  
82202 9/1981 Australia .

[73] Assignee: United States Surgical Corporation, Norwalk, Conn.

Primary Examiner—Catherine E. Kemper  
Attorney, Agent, or Firm—Robert R. Jackson; John E. Nathan

[\*\*] Term: 14 Years

[57] CLAIM

[21] Appl. No.: 429,195

The ornamental design for a surgical clip applier, as shown and described.

[22] Filed: Sep. 30, 1982

[52] U.S. Cl. .... D24/27

DESCRIPTION

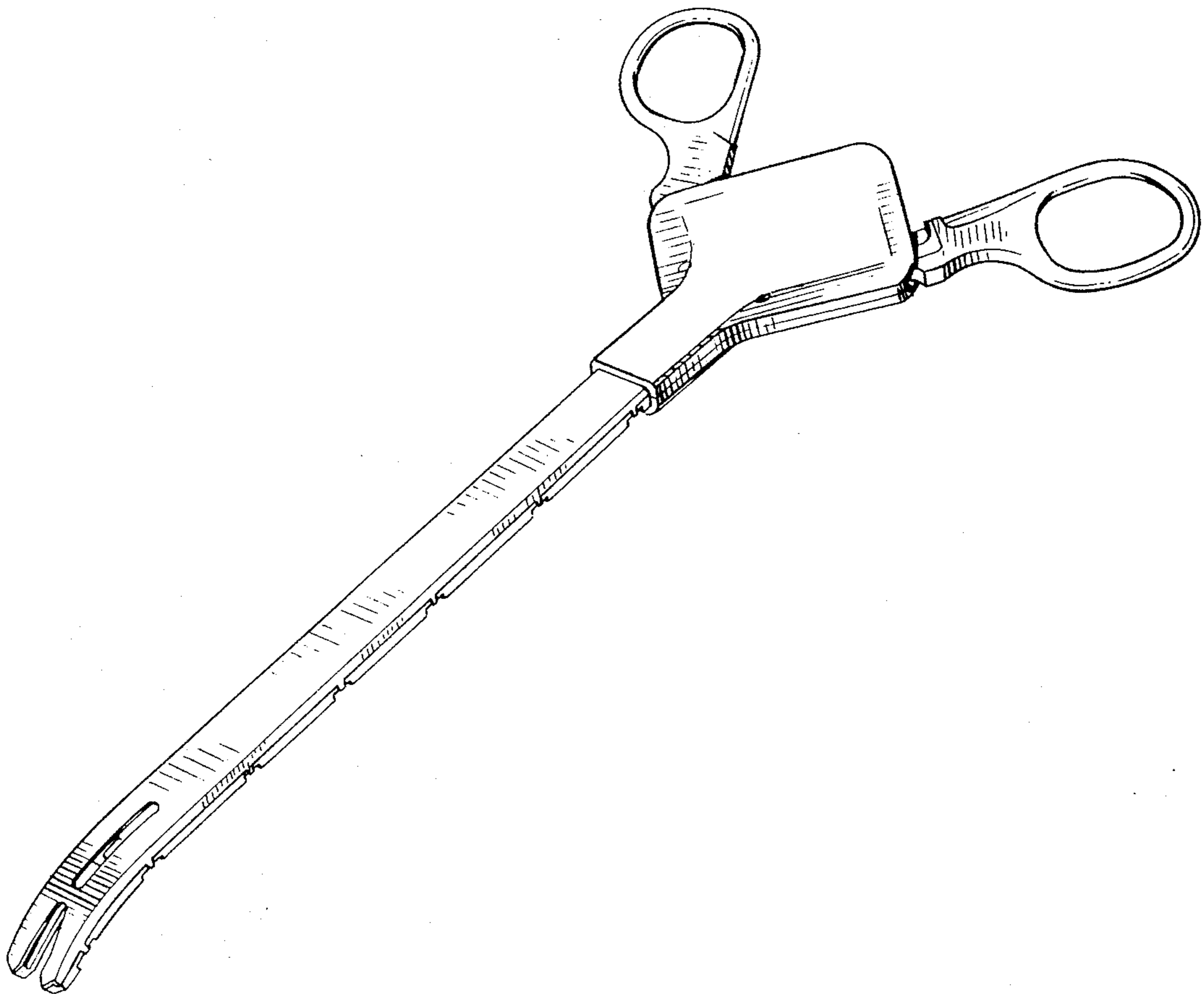
[58] Field of Search ..... D24/26, 27, 28;  
128/321, 322, 325, 326, 346, 354, 334, 335;  
72/409, 410

FIG. 1 is a top perspective view of a surgical clip applier, showing our new design;  
FIG. 2 is a top plan view thereof;  
FIG. 3 is a side elevational view, the opposite side being a mirror image thereof;  
FIG. 4 is a front elevational view thereof;  
FIG. 5 is a rear elevational view thereof;  
FIG. 6 is a bottom plan view thereof.

[56] References Cited

U.S. PATENT DOCUMENTS

4,152,920 5/1979 Green ..... 72/410  
4,242,902 1/1981 Green ..... 72/410



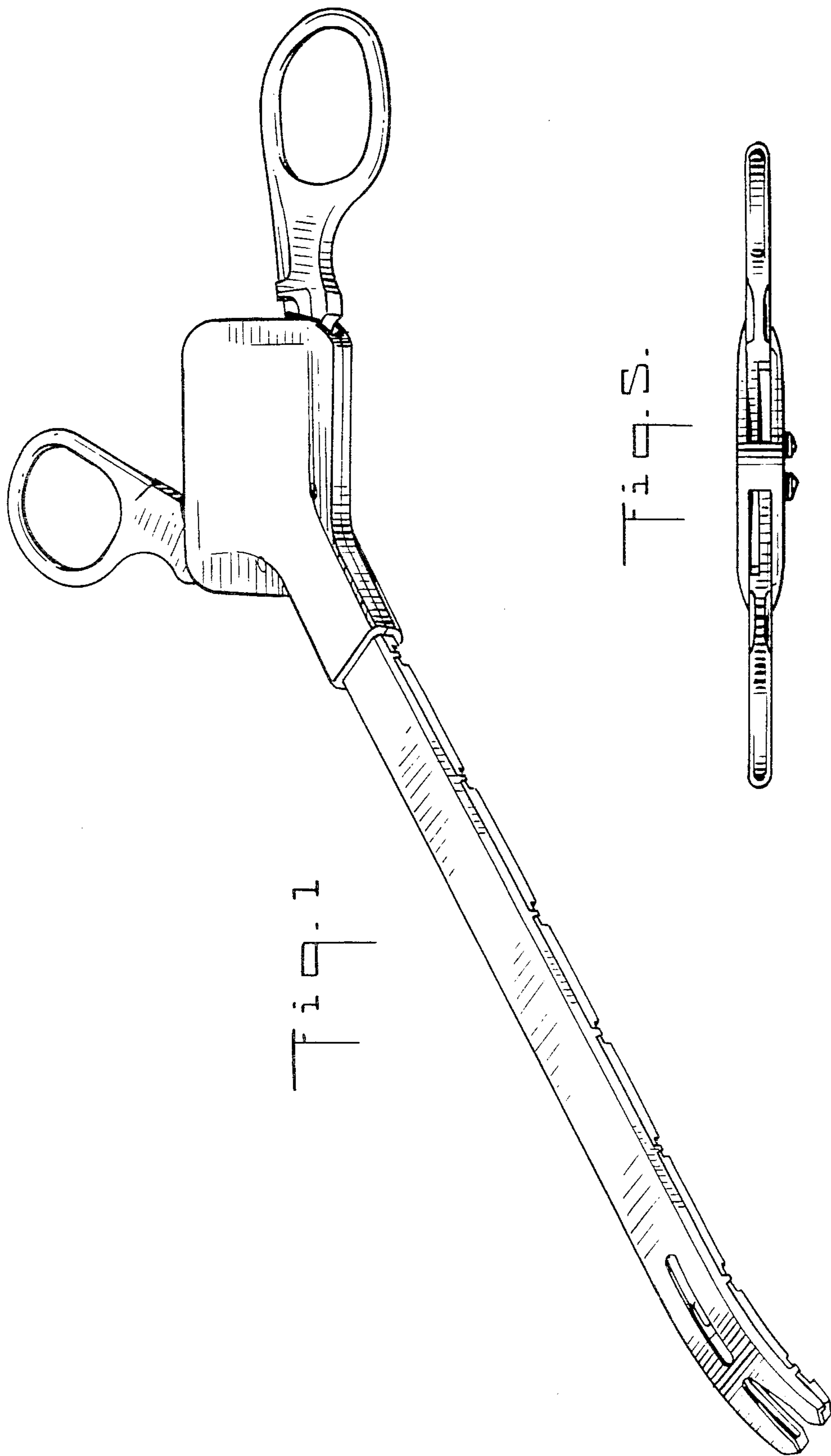
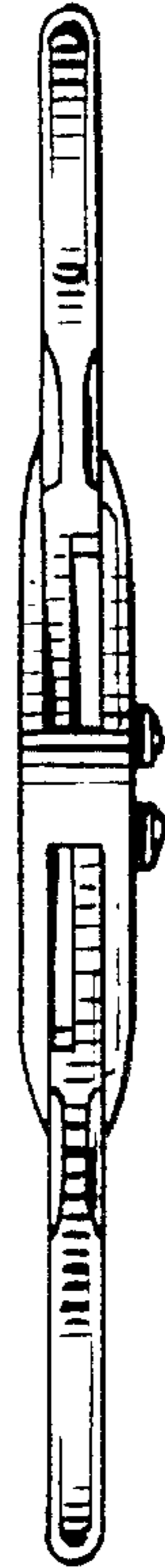
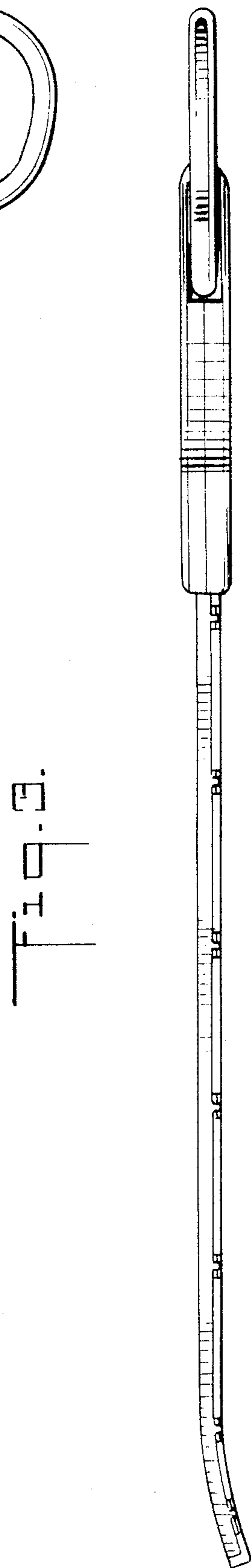
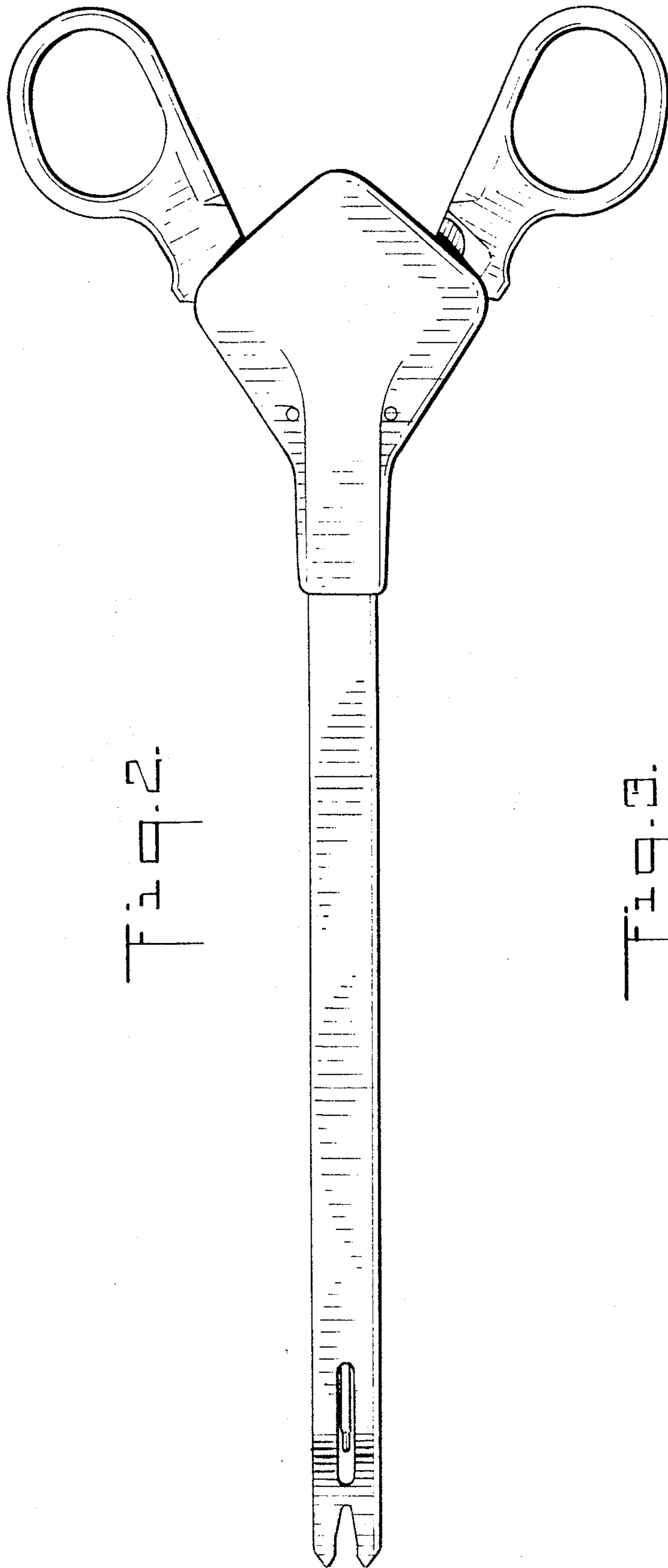


Fig. 2





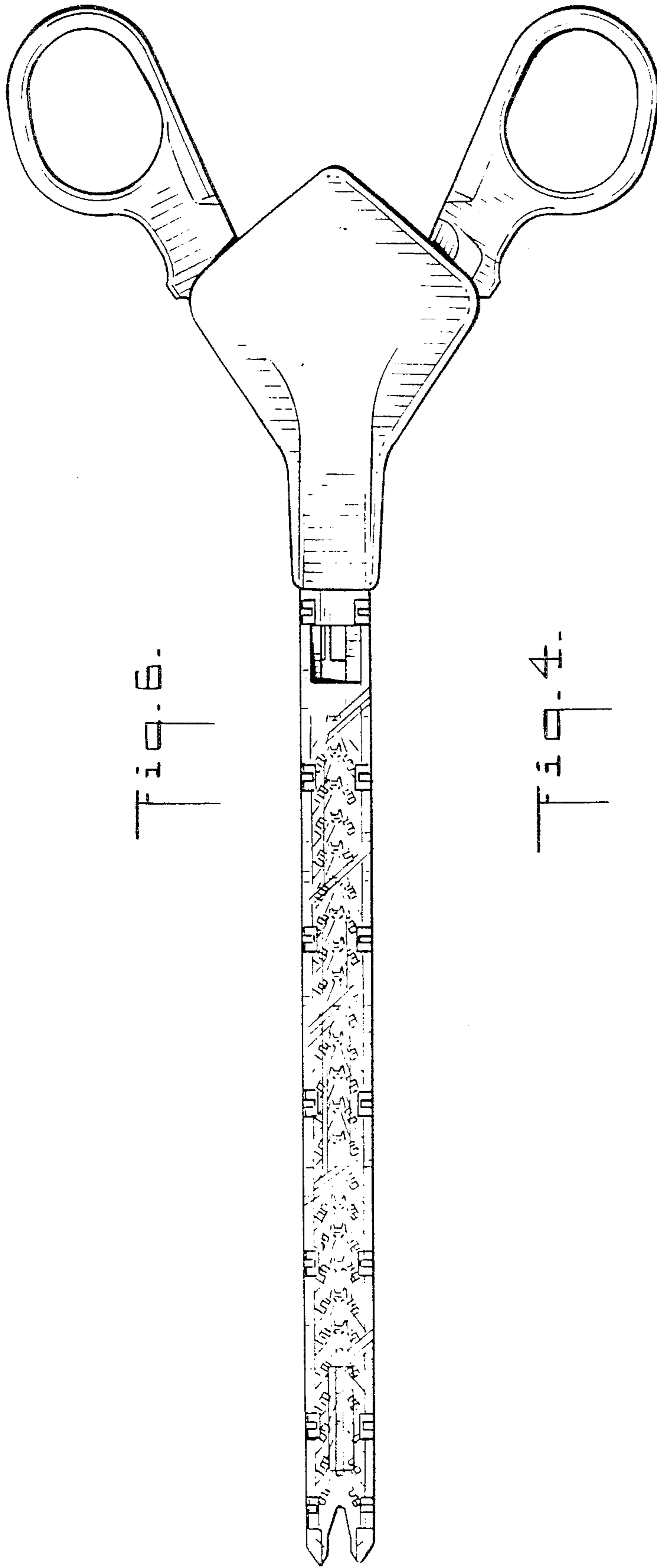


Fig. 4.

