

[54] SURGICAL CANNULA

[75] Inventors: George P. Honkanen, North Scituate; John C. Strahan, Arlington; Philip R. Lichtman, Newton, all of Mass.

[73] Assignee: Acufex Microsurgical Inc., Norwood, Mass.

[**] Term: 14 Years

[21] Appl. No.: 544,554

[22] Filed: Oct. 24, 1983

[52] U.S. Cl. D24/8; D24/59

[58] Field of Search 128/4-8; 604/256; D24/53, 99, 8, 54, 59

[56] References Cited

U.S. PATENT DOCUMENTS

- D. 265,249 6/1982 Halvorsen D24/54
- D. 270,090 8/1983 Jennings D24/53

- 4,211,214 8/1980 Chikashige 604/256 X
- 4,324,239 4/1982 Gordon et al. 604/256 X
- 4,349,021 9/1982 Raible 604/256 X
- 4,350,157 9/1982 Hoffa 604/256 X

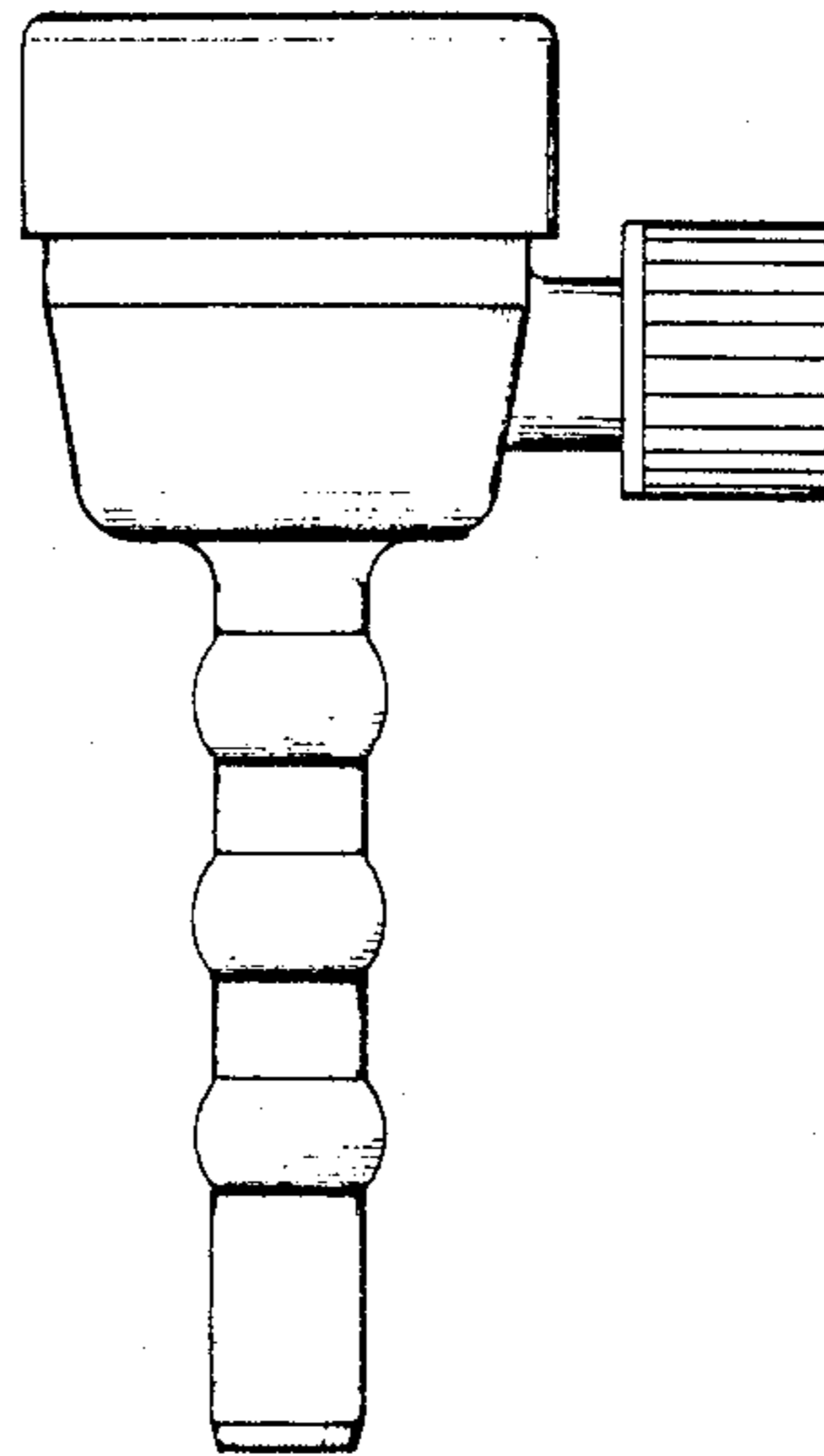
Primary Examiner—A. Hugo Word
Attorney, Agent, or Firm—Schiller & Pandiscio

[57] CLAIM

The ornamental design for a surgical cannula, as shown and described.

DESCRIPTION

FIG. 1 is a side elevation of a surgical cannula showing our new design;
 FIG. 2 is an elevation as seen from the opposite side of FIG. 1;
 FIG. 3 is a front elevation thereof;
 FIG. 4 is a rear elevation thereof;
 FIG. 5 is a top plan view thereof; and
 FIG. 6 is a bottom plan view thereof.



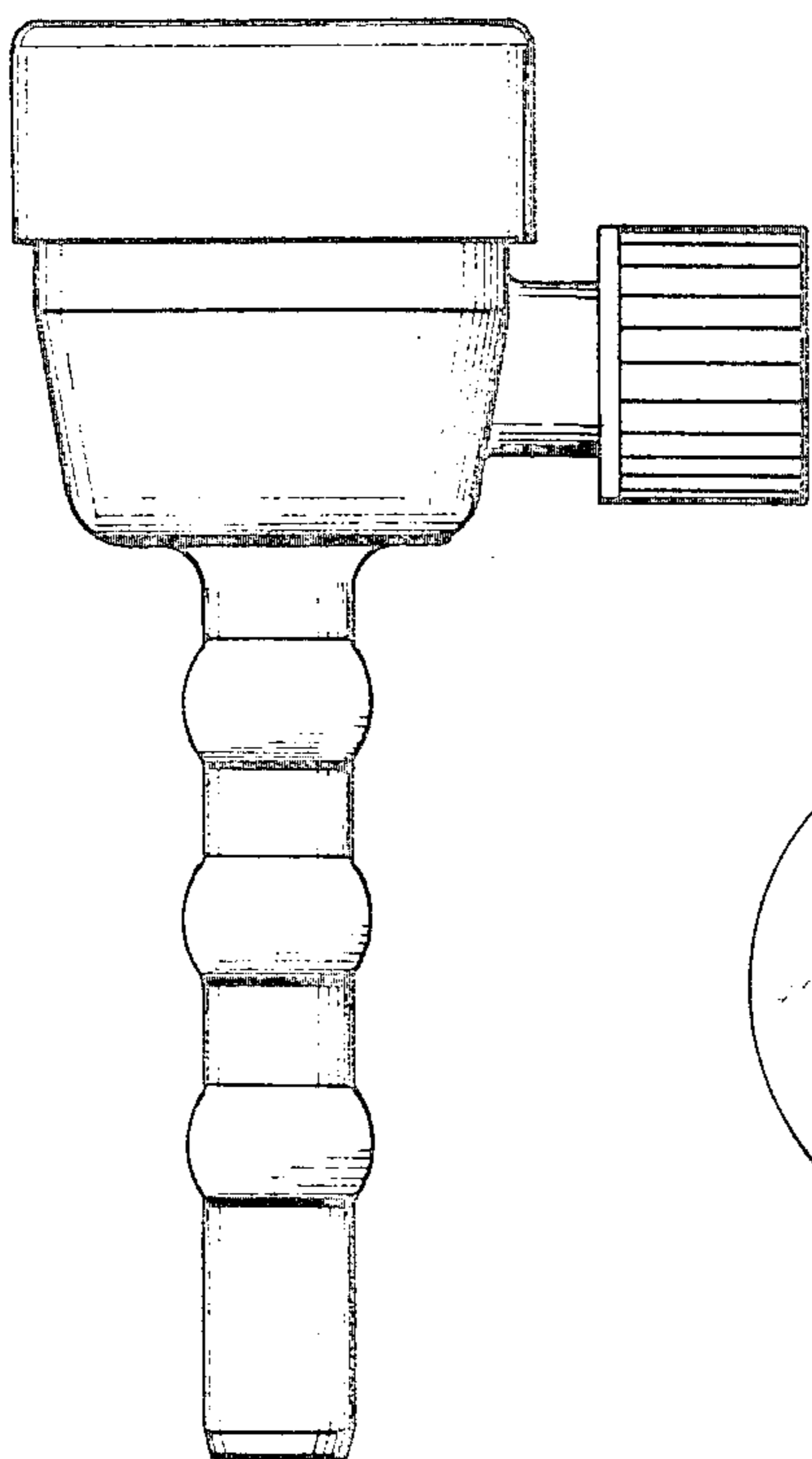


FIG. 1

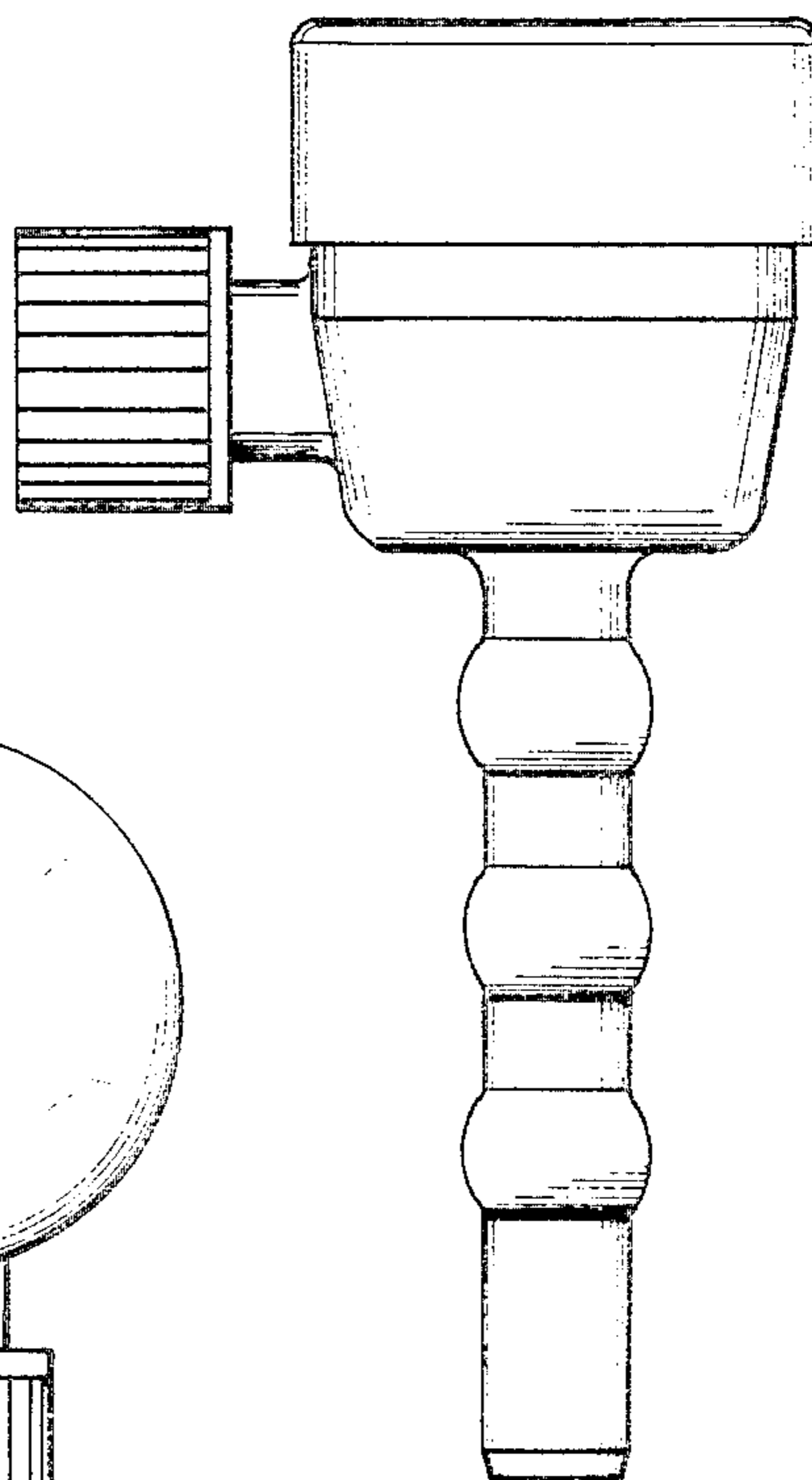


FIG. 2

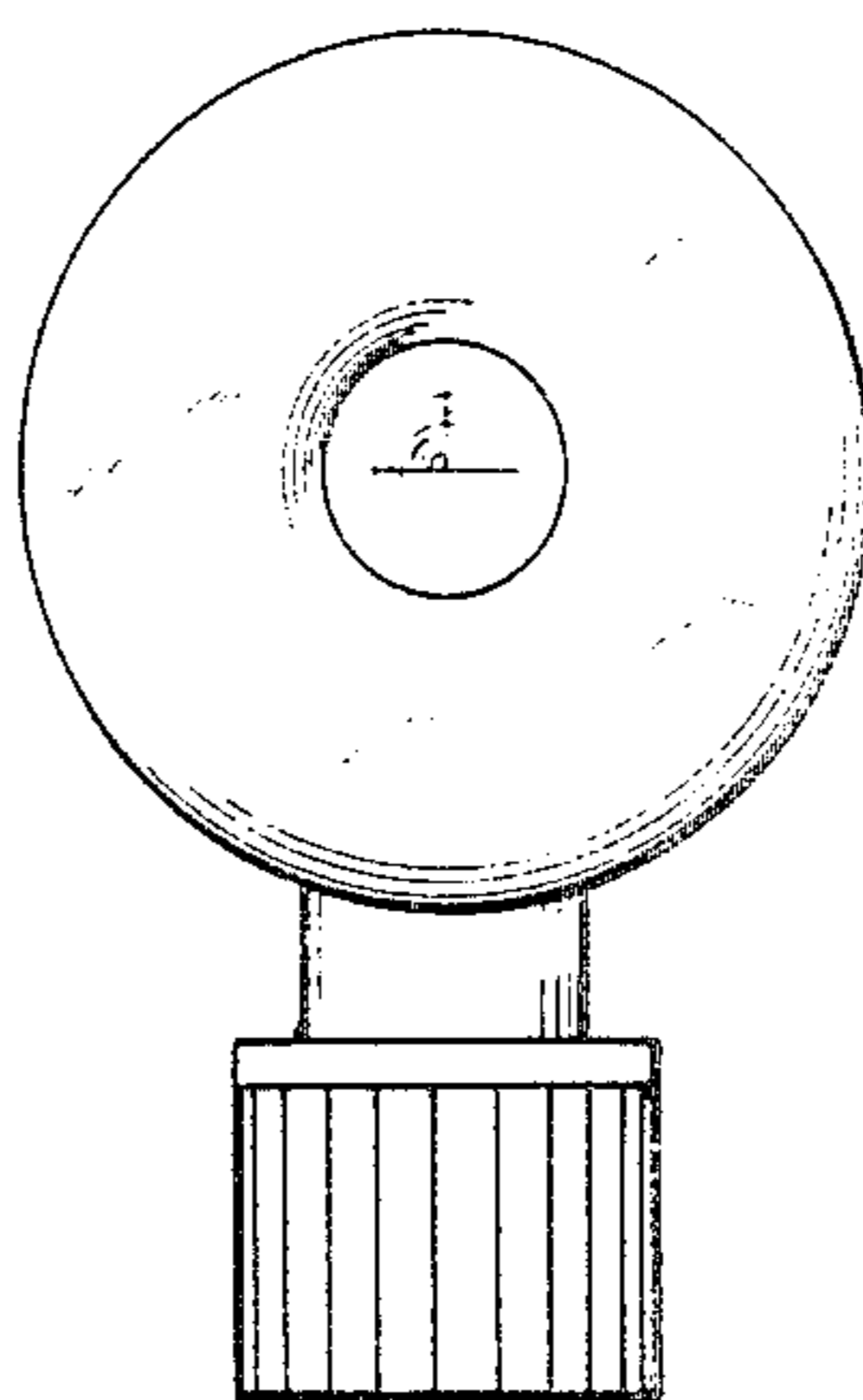


FIG. 5

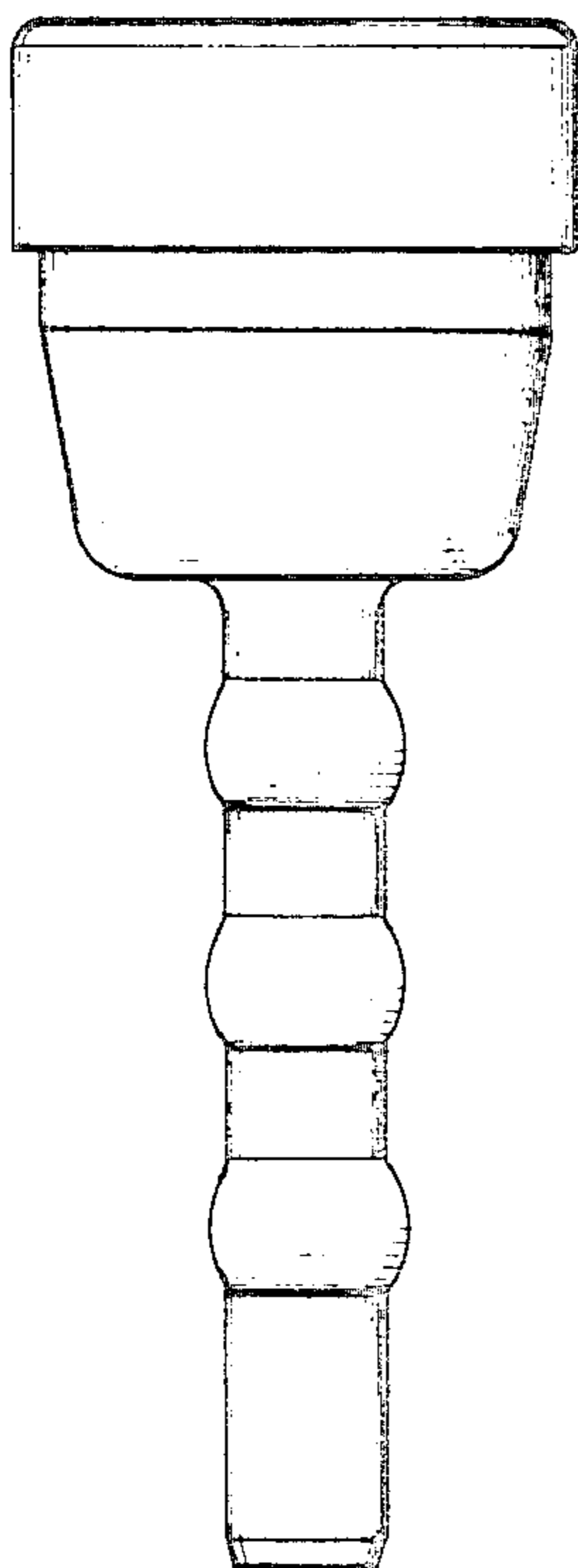


FIG. 3

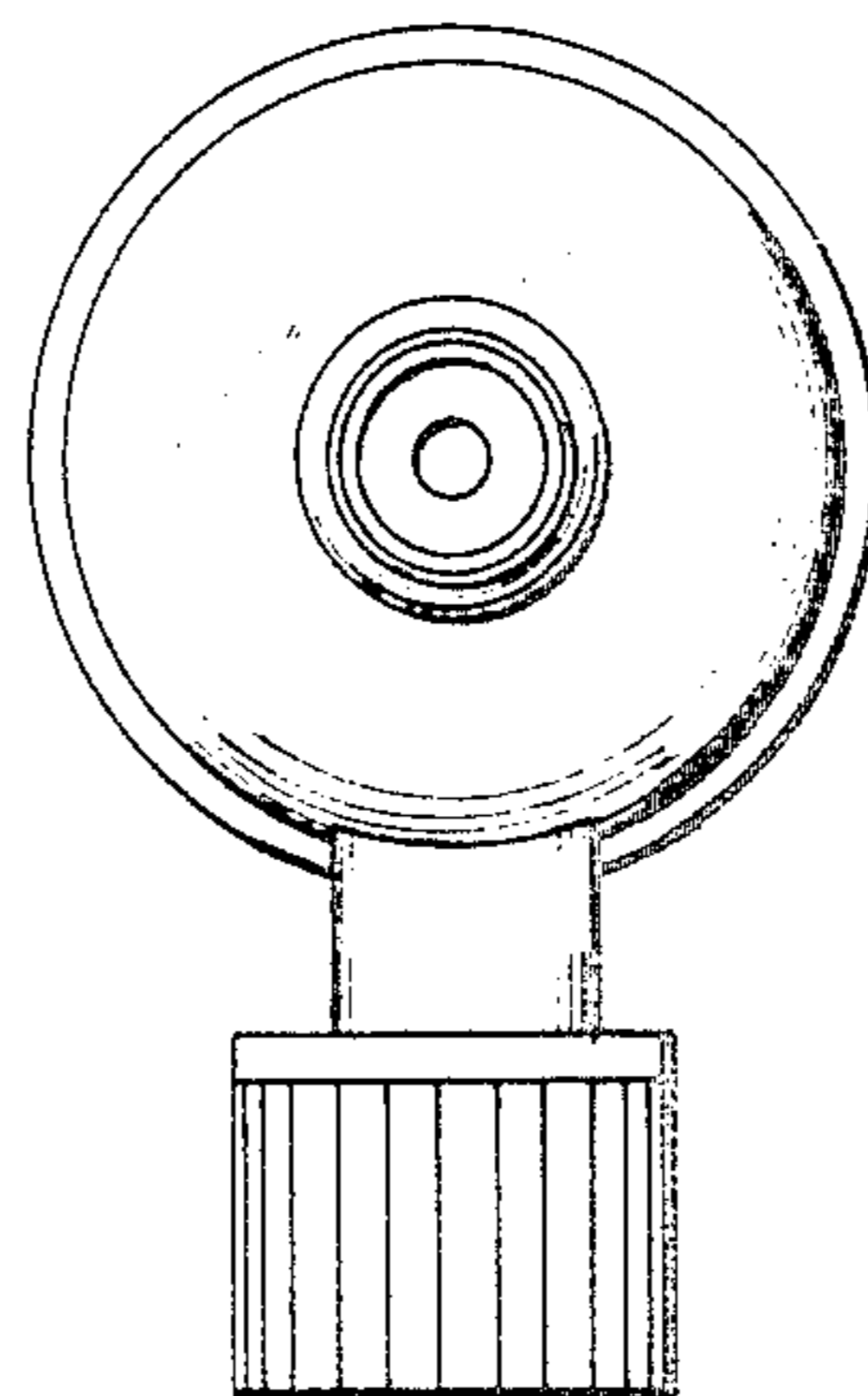


FIG. 6

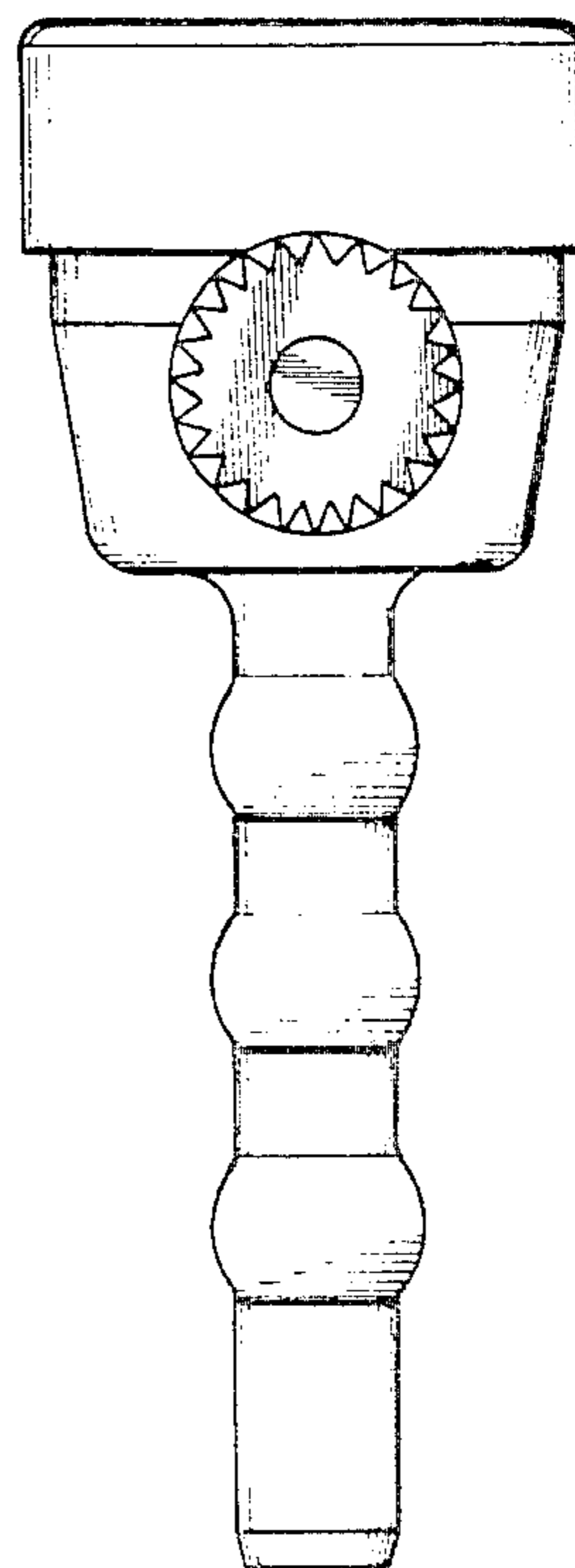


FIG. 4