

[54] DENTAL X-RAY FILM HOLDER

[75] Inventor: Charles F. Stevenson, Elgin, Ill.

[73] Assignee: Rinn Corporation, Elgin, Ill.

[**] Term: 14 Years

[21] Appl. No.: 394,623

[22] Filed: Jul. 2, 1982

[52] U.S. Cl. D24/2

[58] Field of Search D24/2; 378/168, 169, 378/170

[56] References Cited

U.S. PATENT DOCUMENTS

D. 246,797	12/1977	Jermyn	D24/2
D. 246,798	12/1977	Jermyn	D24/2
1,906,223	5/1933	Buck	378/168
2,786,947	3/1957	Lieberman	378/168
2,899,559	8/1959	Maurer	378/168 X
3,444,371	5/1969	Via, Jr.	378/168

3,473,026 10/1969 Updegrave 378/170
3,777,141 12/1973 Egger 378/168 X

Primary Examiner—Catherine E. Kemper
Attorney, Agent, or Firm—McWilliams, Mann, Zumner & Sweeney

[57] CLAIM

The ornamental design for dental X-ray film holder, substantially as shown and described.

DESCRIPTION

FIG. 1 is a frontal perspective view of the dental X-ray film holder, showing my new design;
FIG. 2 is a side elevational view thereof, taken from the left hand side of FIG. 1;
FIG. 3 is a top plan view thereof;
FIG. 4 is a bottom plan view thereof;
FIG. 5 is a front elevational view thereof;
FIG. 6 is a rear elevational view thereof; and
FIG. 7 is a side elevational view thereof, taken from the right hand side of FIG. 1.

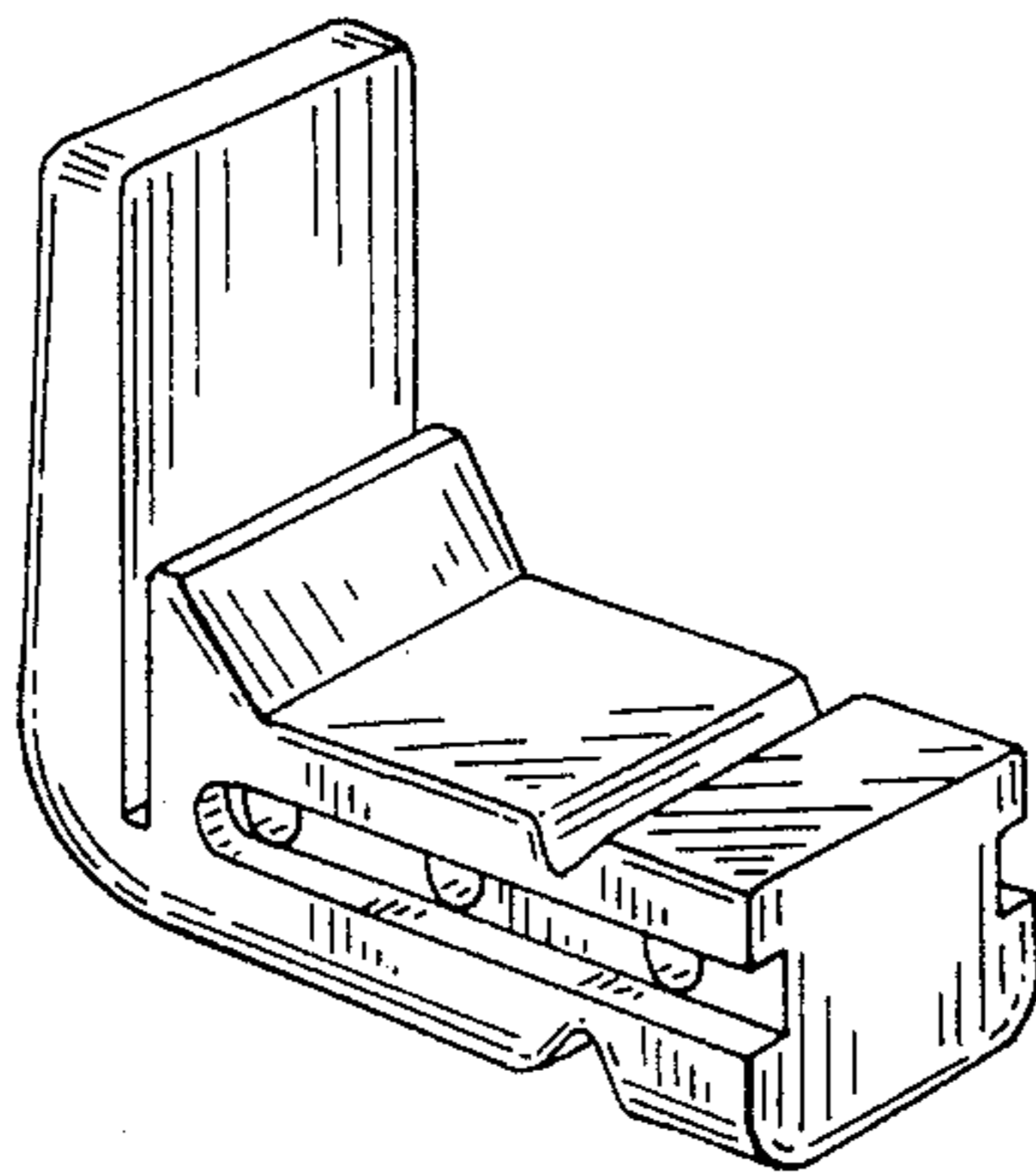


FIG-1-

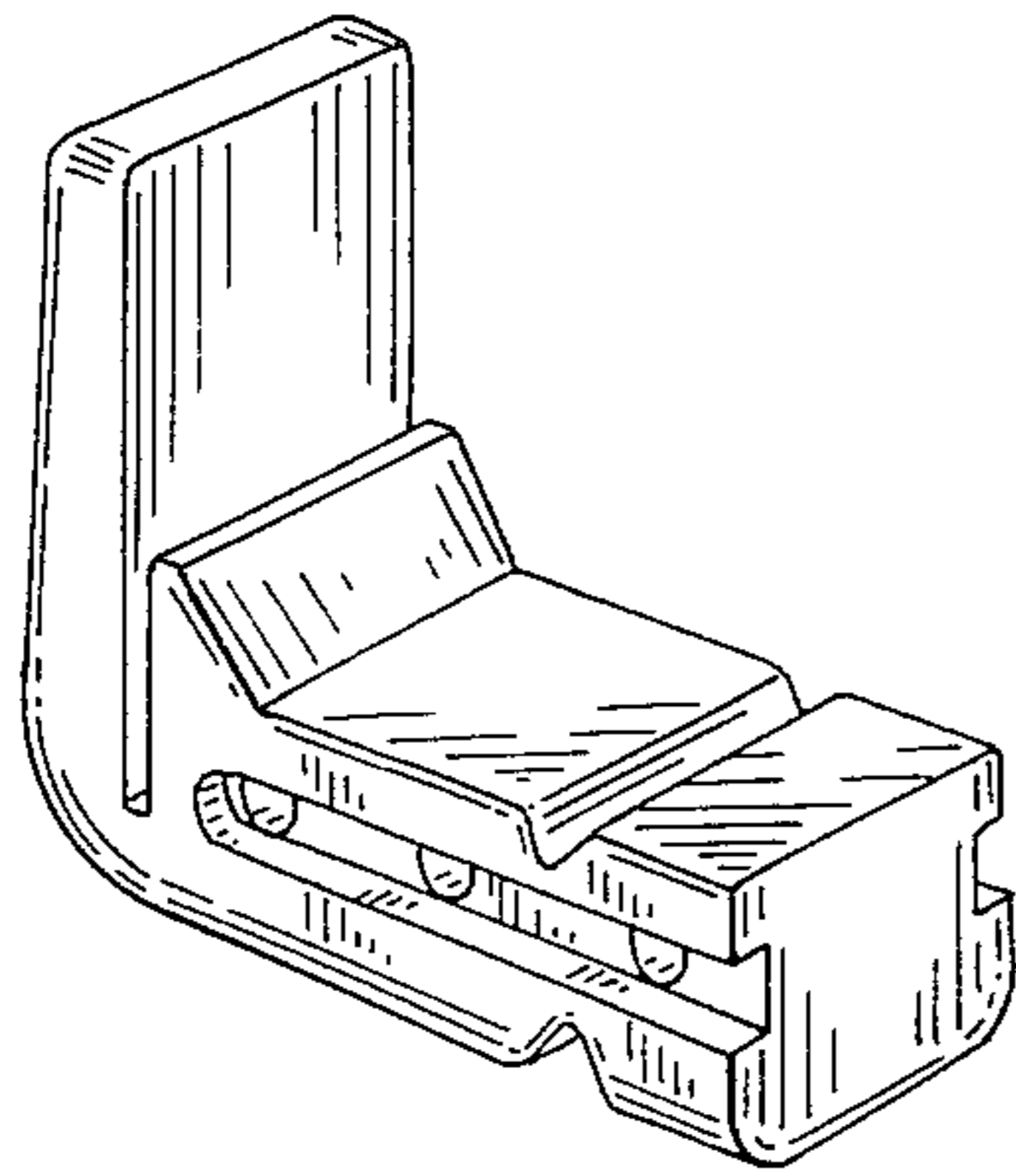


FIG-2-

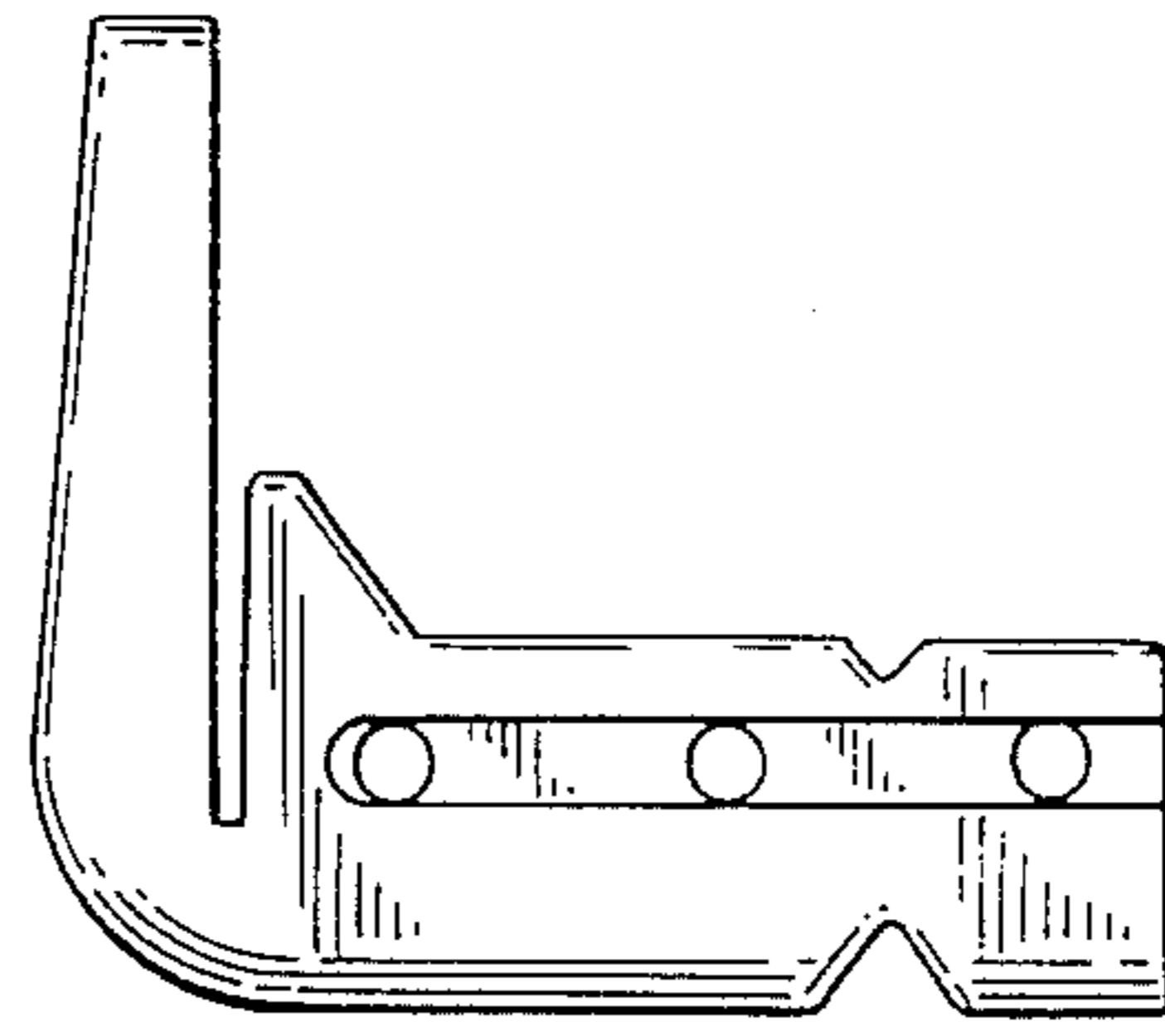


FIG-3-

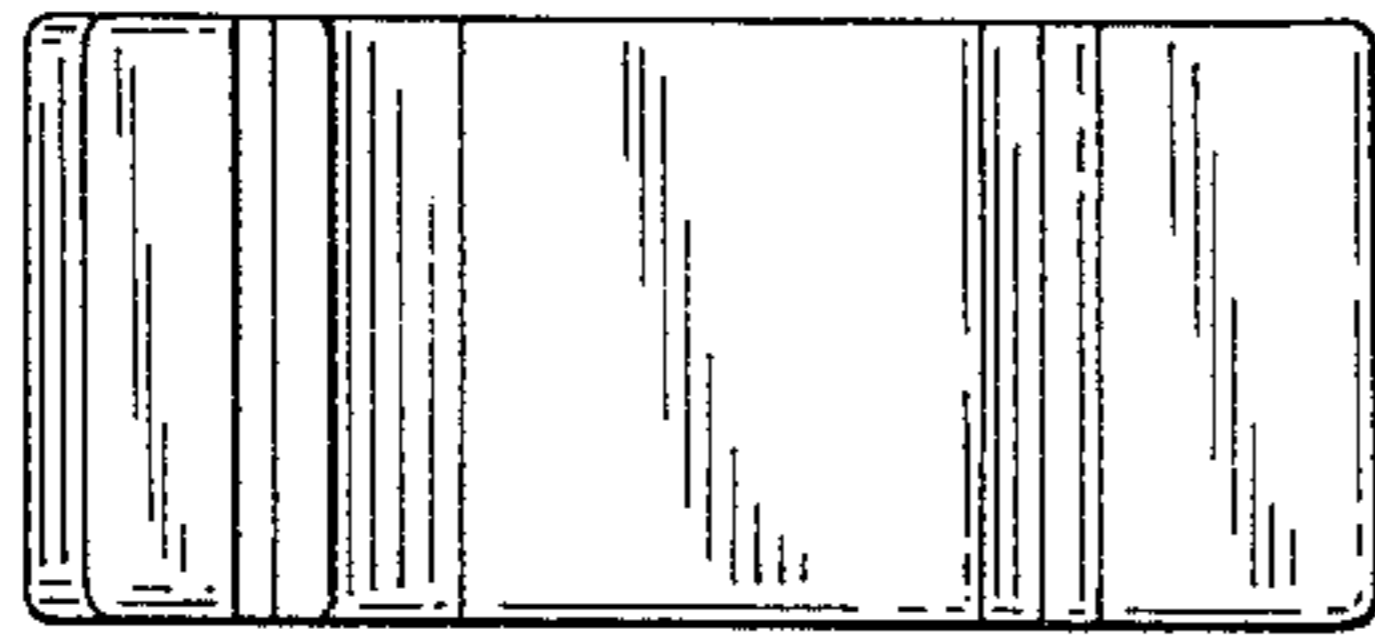


FIG-4-

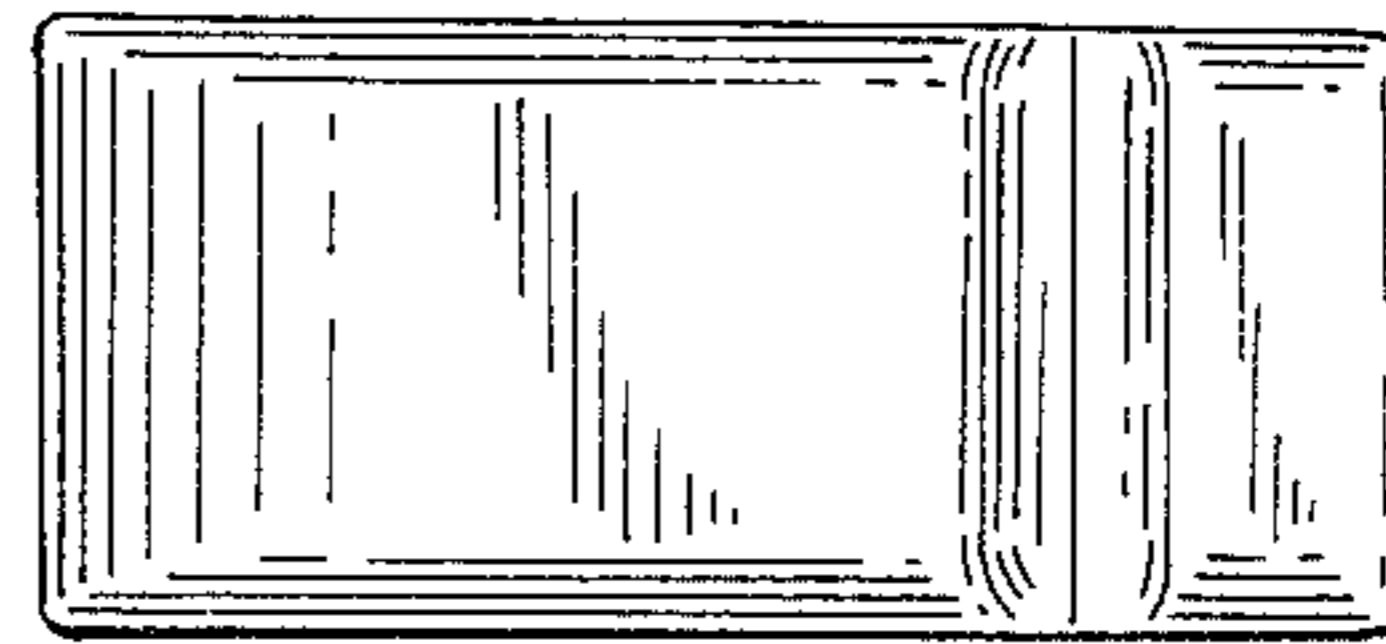


FIG-6-



FIG-5-

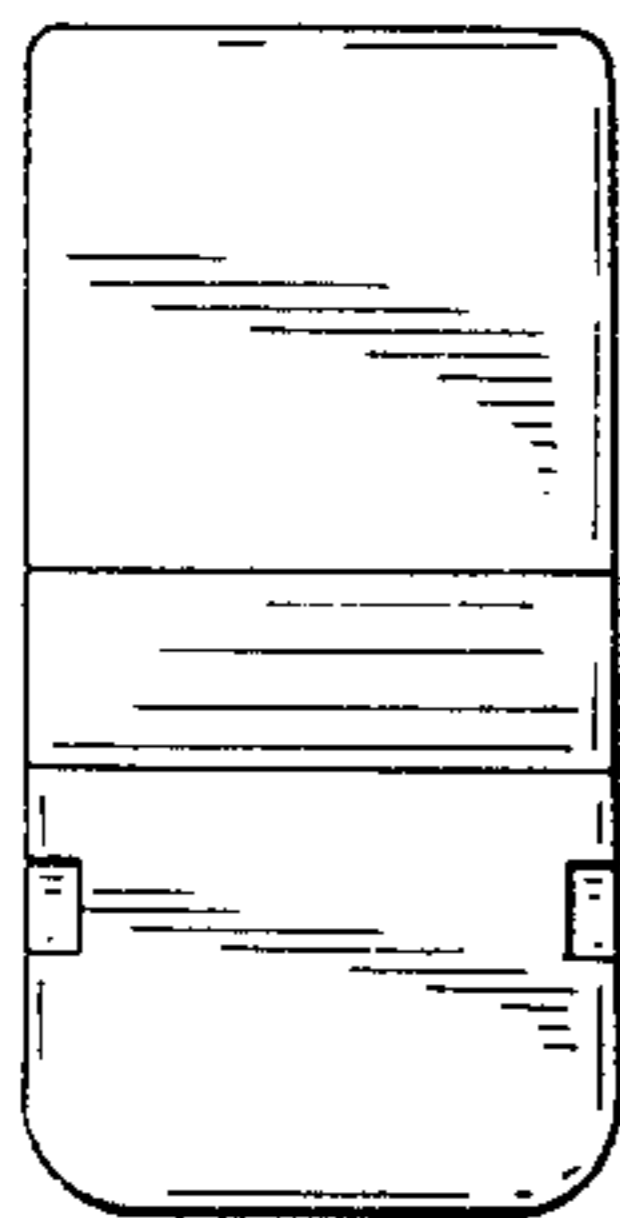


FIG-7-

