

[54] ROOF EXHAUSTER

[75] Inventor: George M. Breidert, San Fernando, Calif.

[73] Assignee: The G. C. Breidert Company, San Fernando, Calif.

[**] Term: 14 Years

[21] Appl. No.: 433,412

[22] Filed: Oct. 8, 1982

[52] U.S. Cl. D23/153

[58] Field of Search D23/151-154, D23/165-167; 98/42 R, 42 A, 43 R, 43 C

[56] References Cited

U.S. PATENT DOCUMENTS

D. 190,144	4/1961	Breidert	D23/153
D. 192,894	5/1962	Patterson et al.	D23/153
D. 259,208	5/1981	McCullough	D23/153
D. 259,951	7/1981	Breidert	D23/153
2,526,296	10/1956	Solzman	98/43 R
2,666,378	1/1954	Ammerman	98/43 R

2,774,293	12/1956	Jenn	98/43 R
2,823,598	2/1958	Jenn	98/43 R
2,824,507	2/1958	Alldritt et al.	D23/153 X
2,926,837	3/1960	Coe	D23/153 X
2,982,198	5/1961	Mohrman	98/43 PS
3,202,081	8/1965	Cook	98/43 R

OTHER PUBLICATIONS

Florida Builder, May 1954, p. 16, "Power Roof Ventilators" Item.

Primary Examiner—James R. Largen
Attorney, Agent, or Firm—James E. Brunton

[57] CLAIM

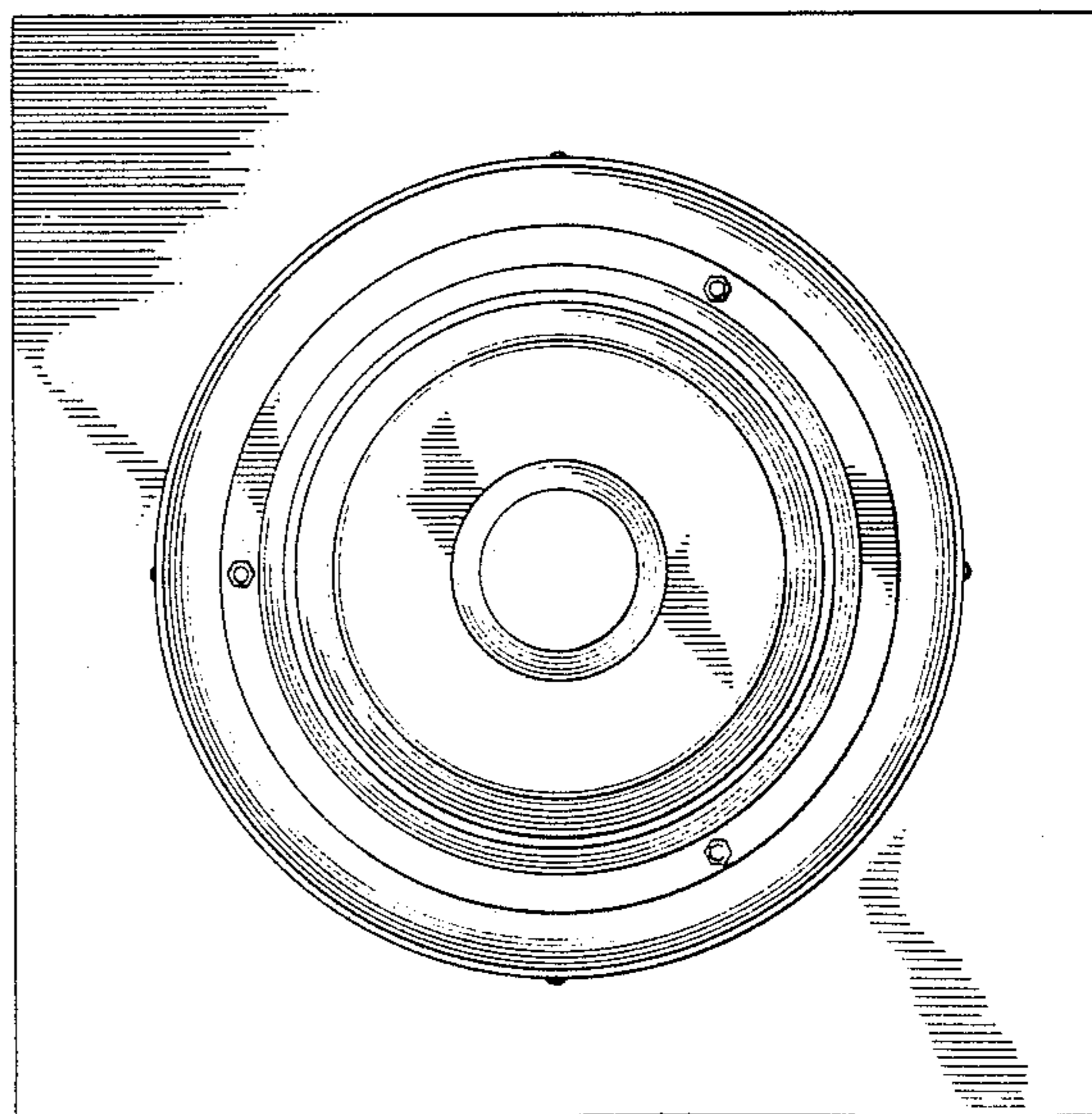
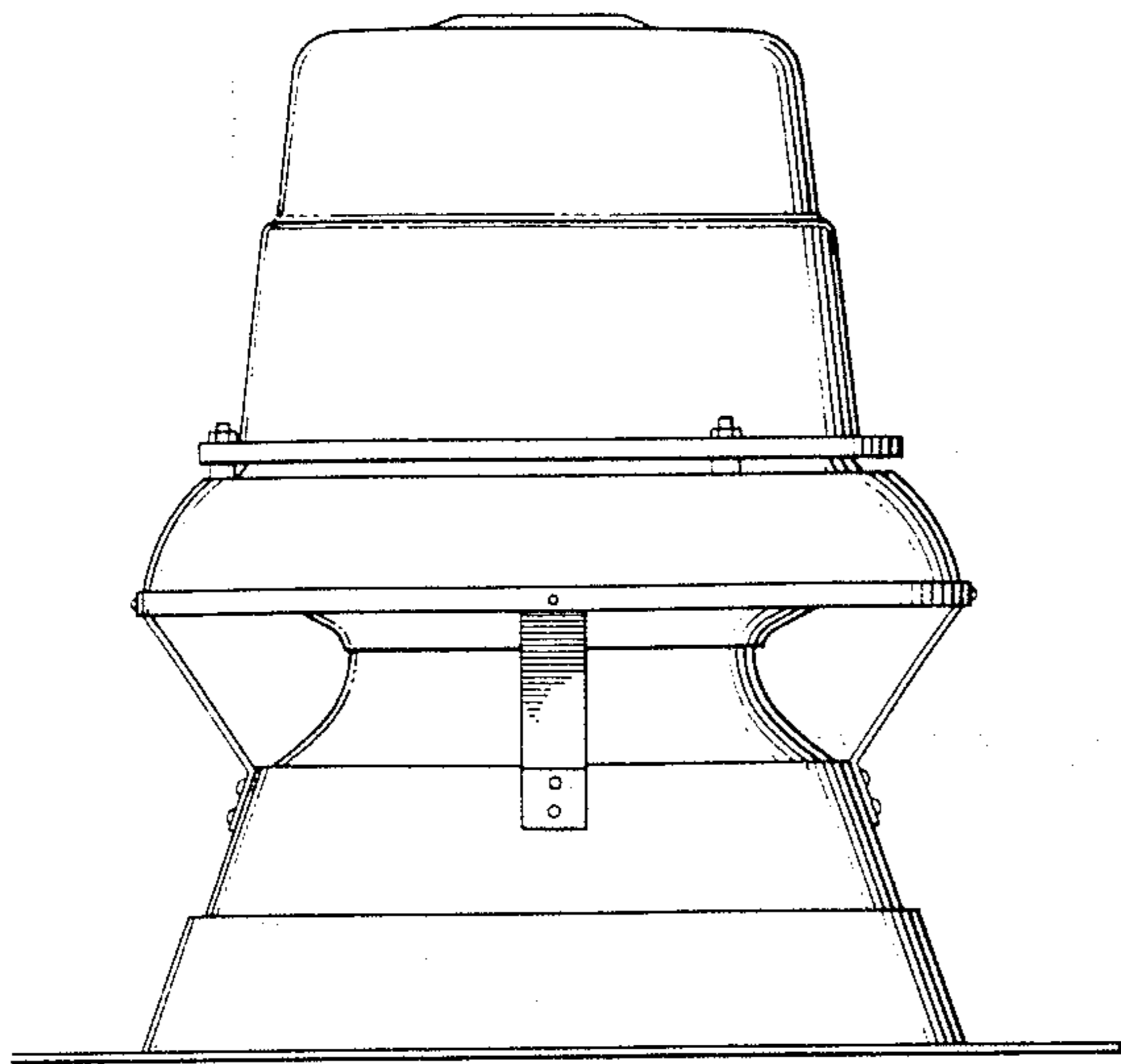
The ornamental design for a roof exhauster, as shown and described.

DESCRIPTION

FIG. 1 is a side elevational view of a roof exhauster showing my new design, the other side being the same as the side shown;

FIG. 2 is a top plan view thereof; and

FIG. 3 is a bottom plan view thereof.



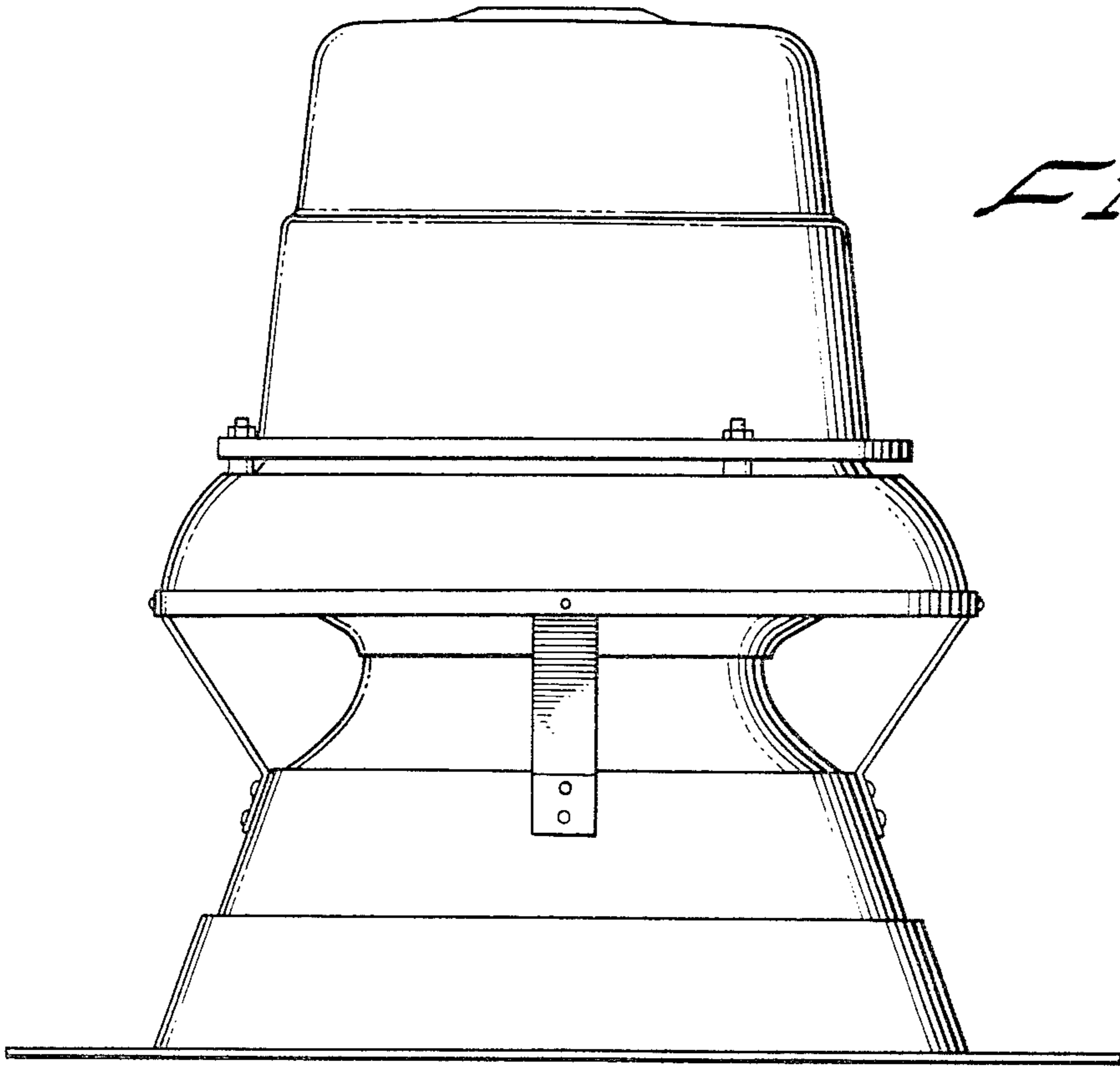
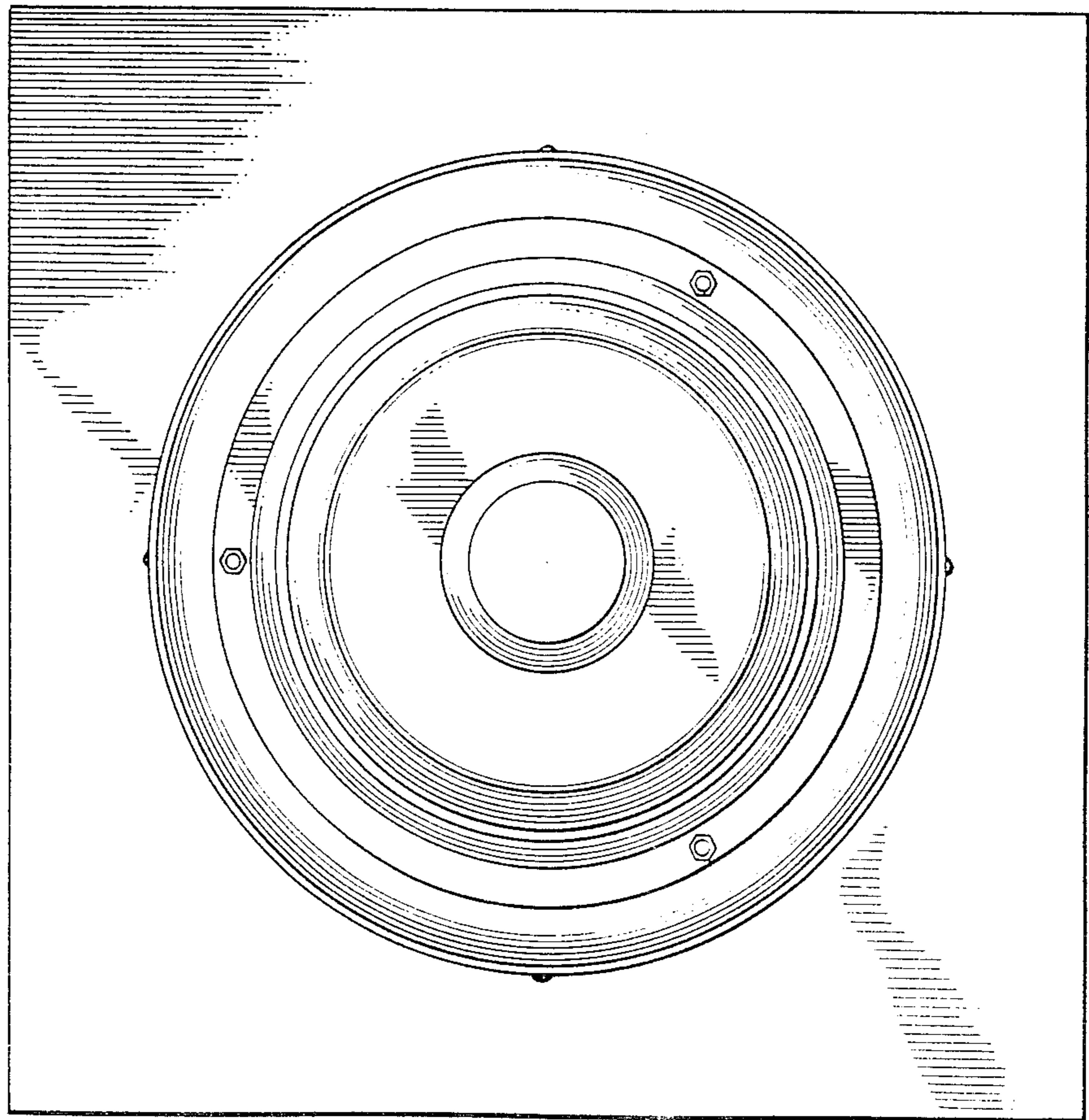


FIG. 1.

FIG. 2.



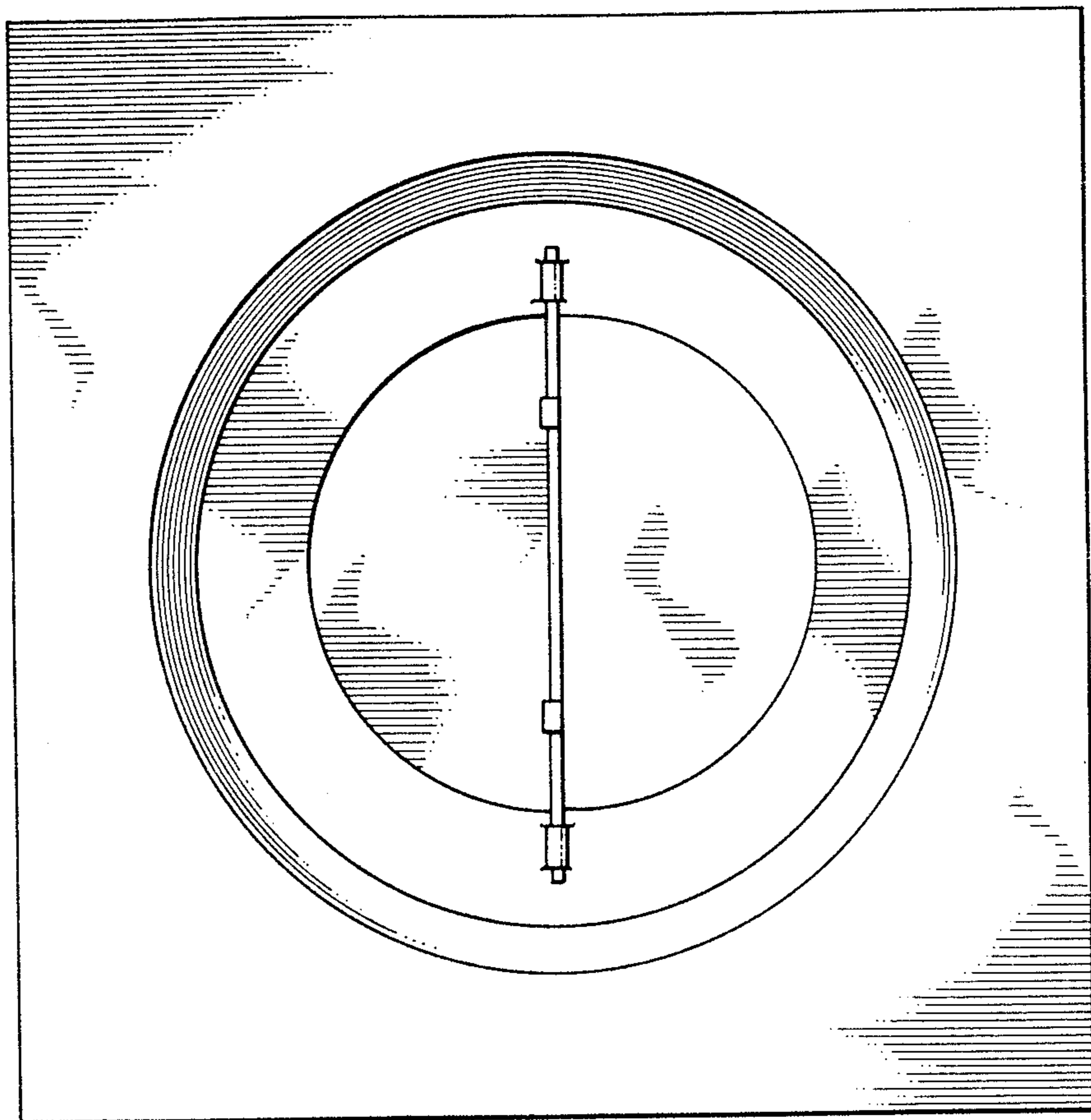


FIG. 3.