

[54] LAVATORY FAUCET

[75] Inventor: Nazzareno Piesco, Milan, Italy  
[73] Assignee: F.I.R. Rubinetterie S.p.A., Milan, Italy

[\*\*] Term: 14 Years

[21] Appl. No.: 409,218

[22] Filed: Aug. 18, 1982

[30] Foreign Application Priority Data

Mar. 29, 1982 [IT] Italy ..... 21370 B/82

[52] U.S. Cl. .... D23/25

[58] Field of Search ..... D23/23-32;  
4/191, 192; 137/606, 801

[56] References Cited

U.S. PATENT DOCUMENTS

- D. 181,595 12/1957 McLean ..... D23/26
- D. 187,846 5/1960 Brown ..... D23/26
- D. 200,042 1/1965 MacKay et al. .... D23/25

- D. 203,324 12/1965 Landell ..... D23/25
- D. 237,615 11/1975 Saporito et al. .... D23/25
- D. 266,349 9/1982 Piesco ..... D23/32
- 3,416,568 12/1968 Parr ..... 4/192 X
- 3,427,049 2/1969 Politz ..... 4/192 X
- 3,448,768 6/1969 Keller ..... 4/192 X

Primary Examiner—James R. Largen  
Attorney, Agent, or Firm—Sughrue, Mion, Zinn,  
Macpeak & Seas

[57] CLAIM

The ornamental design for lavatory faucet, as shown and described.

DESCRIPTION

FIG. 1 is a perspective view taken from the top, front and left side of a lavatory faucet showing my new design;  
FIG. 2 is a top plan view thereof;  
FIG. 3 is a front elevational view thereof; and  
FIG. 4 is a left side elevational view thereof, the right side being a mirror image of the left side shown.

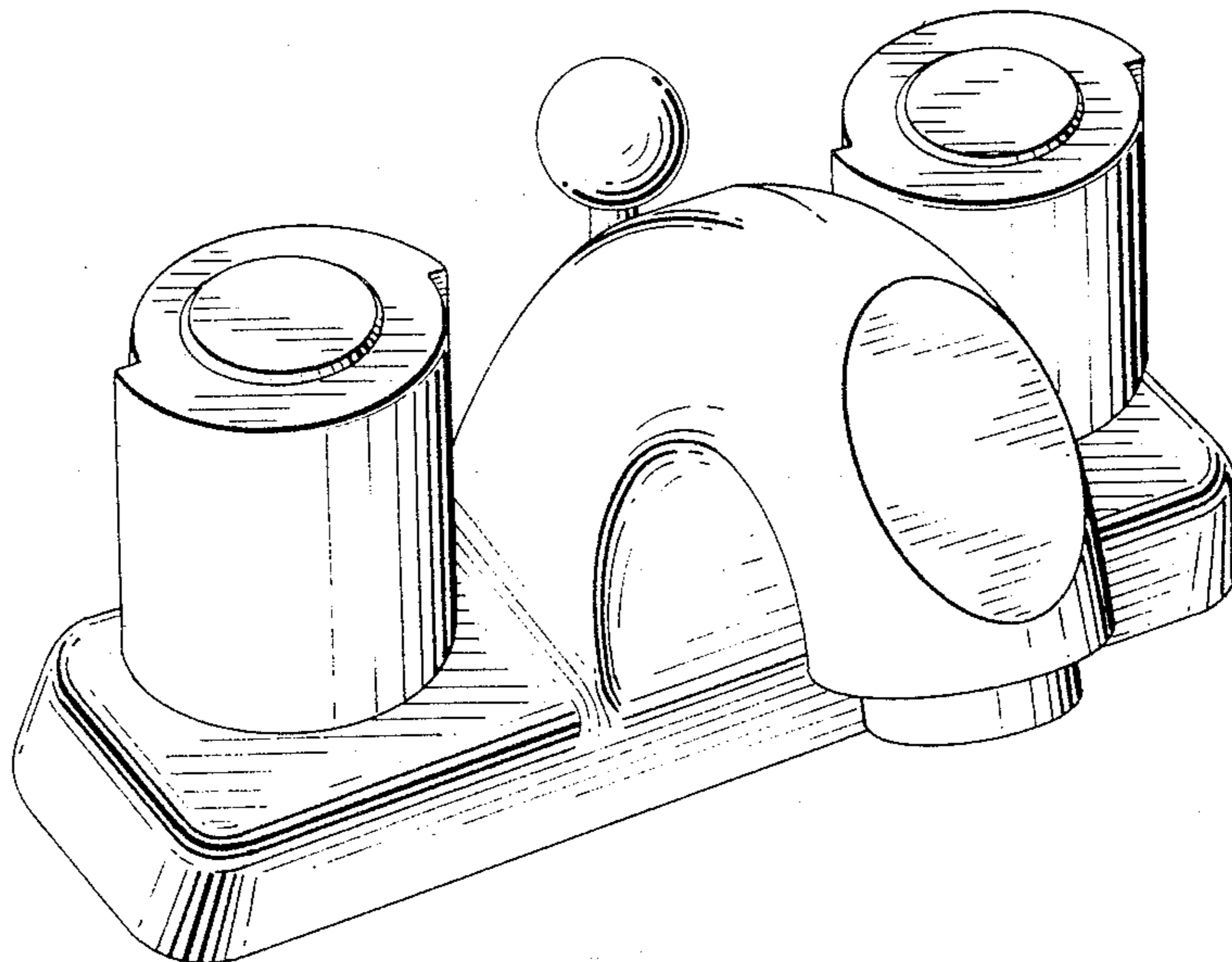


FIG. 1

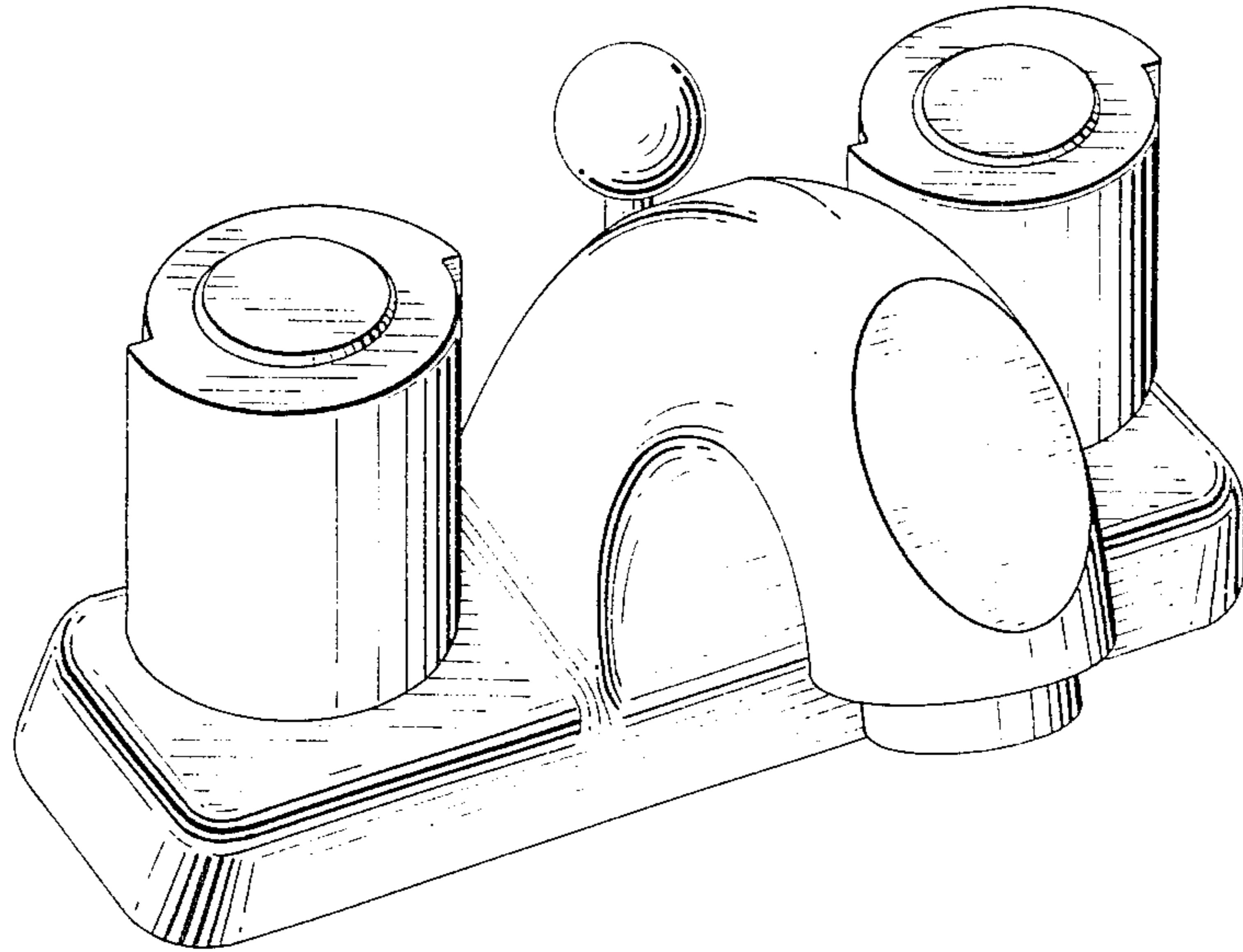


FIG. 2

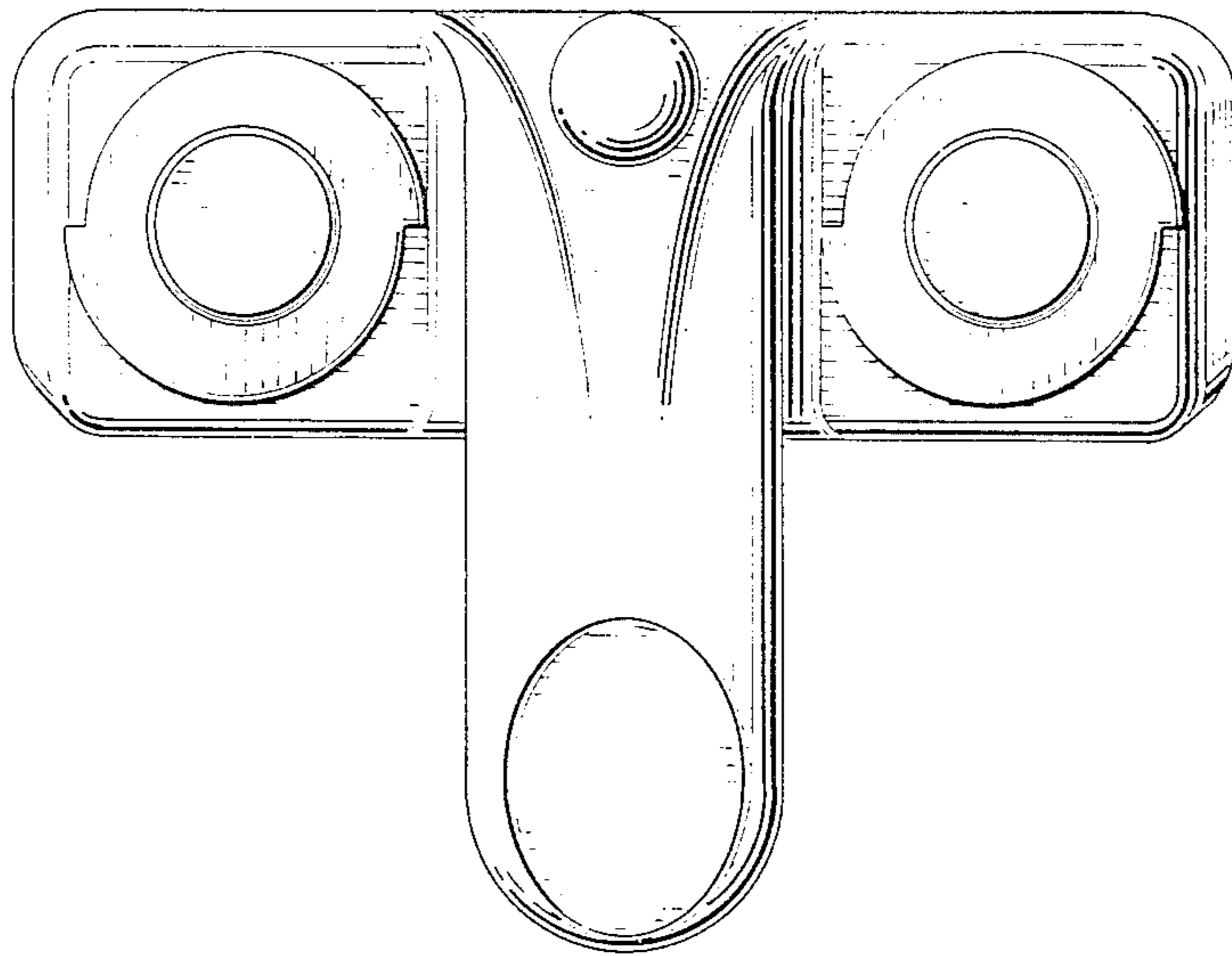


FIG. 3

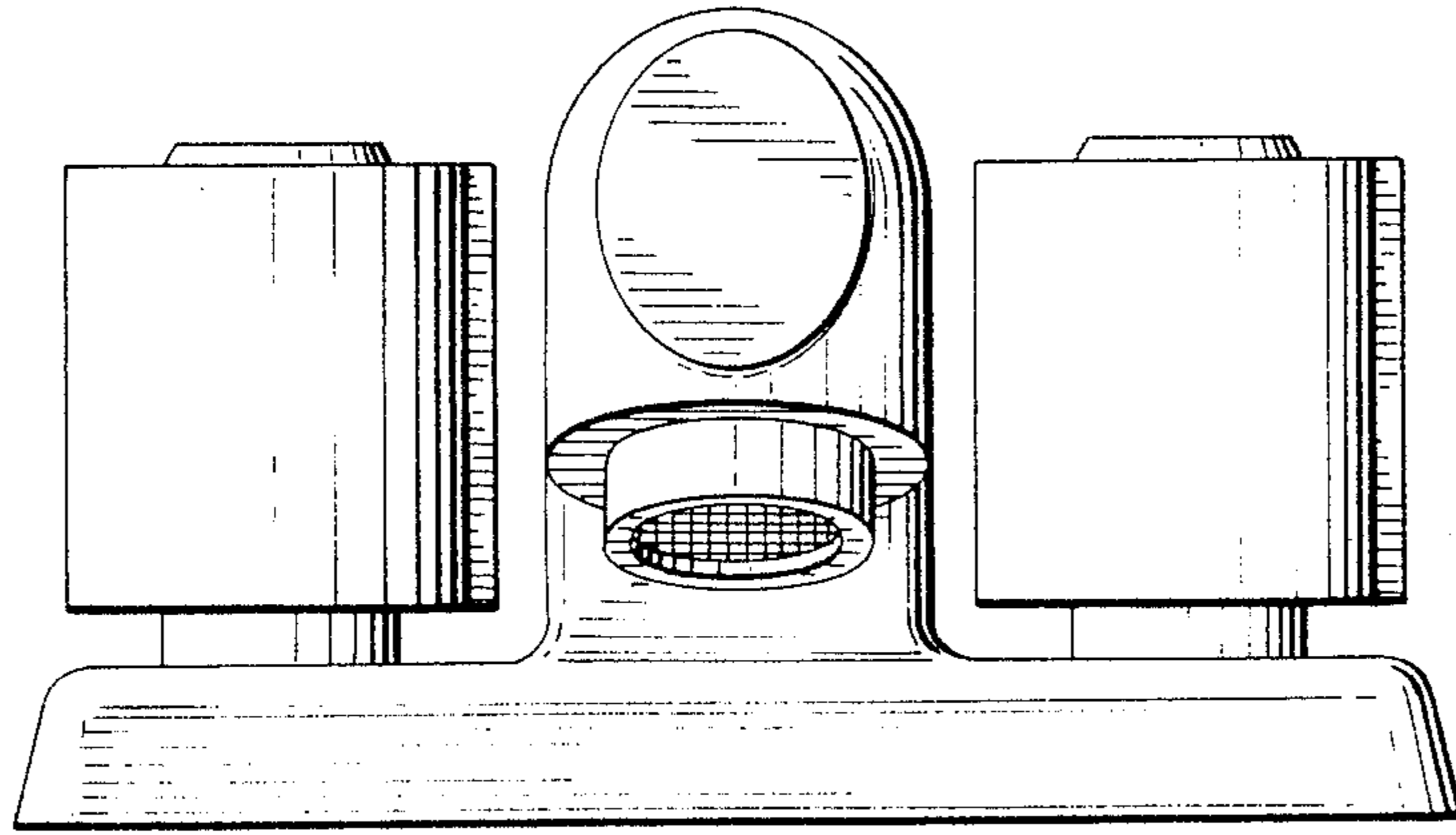


FIG. 4

