

[54] GOLF CLUB HEAD

[76] Inventor: Karsten Solheim, 501 W. Wakonda La., Phoenix, Ariz. 85023

[**] Term: 14 Years

[21] Appl. No.: 428,317

[22] Filed: Sep. 29, 1982

[52] U.S. Cl. D21/220

[58] Field of Search D21/217-220; 273/167 F, 167 A

[56] References Cited

U.S. PATENT DOCUMENTS

D. 215,101	9/1969	Sabat	D21/220
D. 239,778	5/1976	Solheim	D21/217
3,845,960	11/1974	Thompson	273/167 F

Primary Examiner—Melvin B. Feifer

[57] CLAIM

The ornamental design for a golf club head, substantially as shown and described.

DESCRIPTION

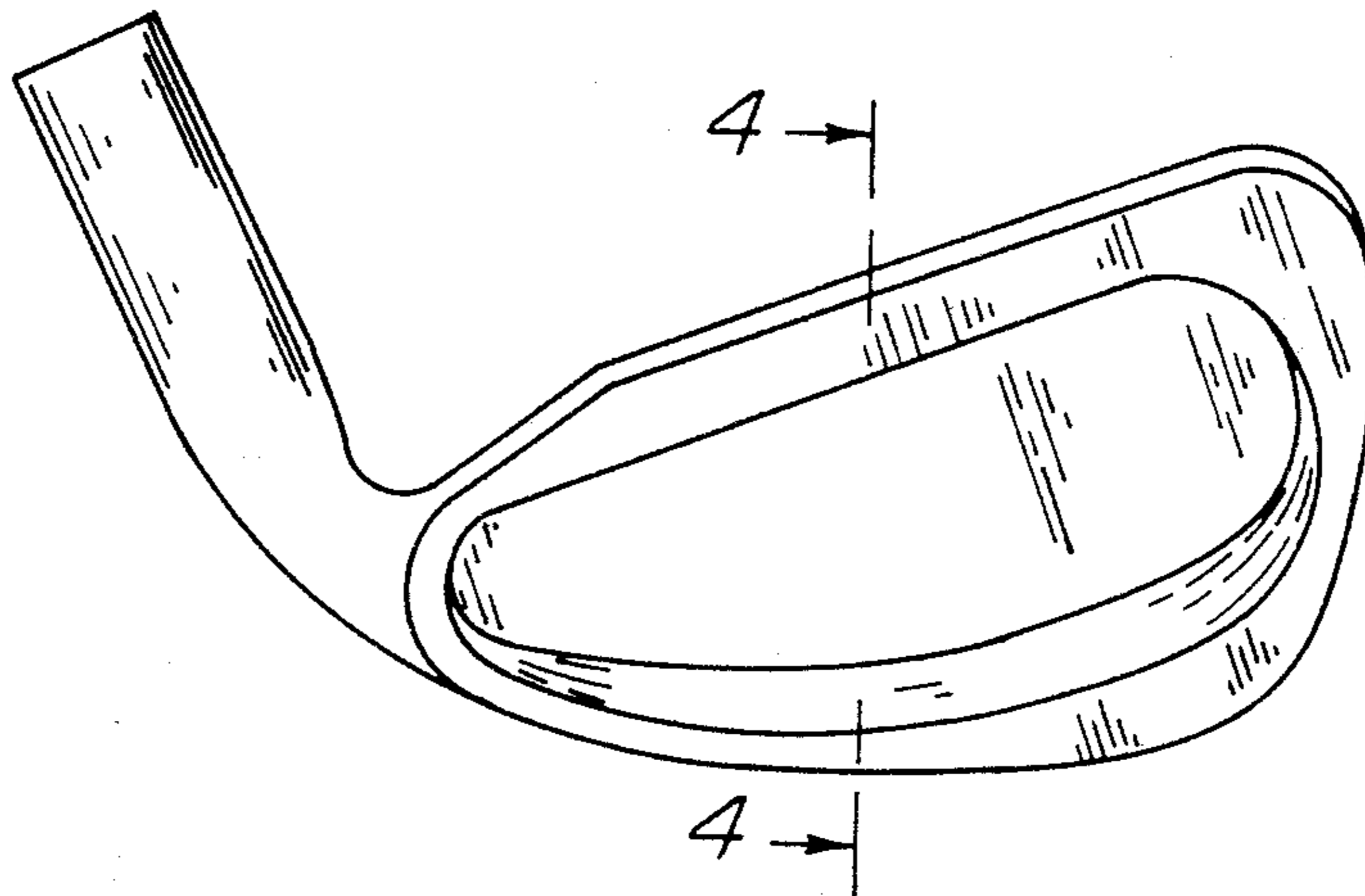
FIG. 1 is a rear elevation of a golf club head embodying my new design;

FIG. 2 is a front elevation of the golf club head shown in FIG. 1;

FIG. 3 is a toe-end elevation of the golf club head shown in FIG. 1;

FIG. 4 is a sectional view of the golf club head shown in FIG. 1 taken along a line 4—4.

My new design may be applied to golf club heads that have a different loft and lie in a conventional manner.



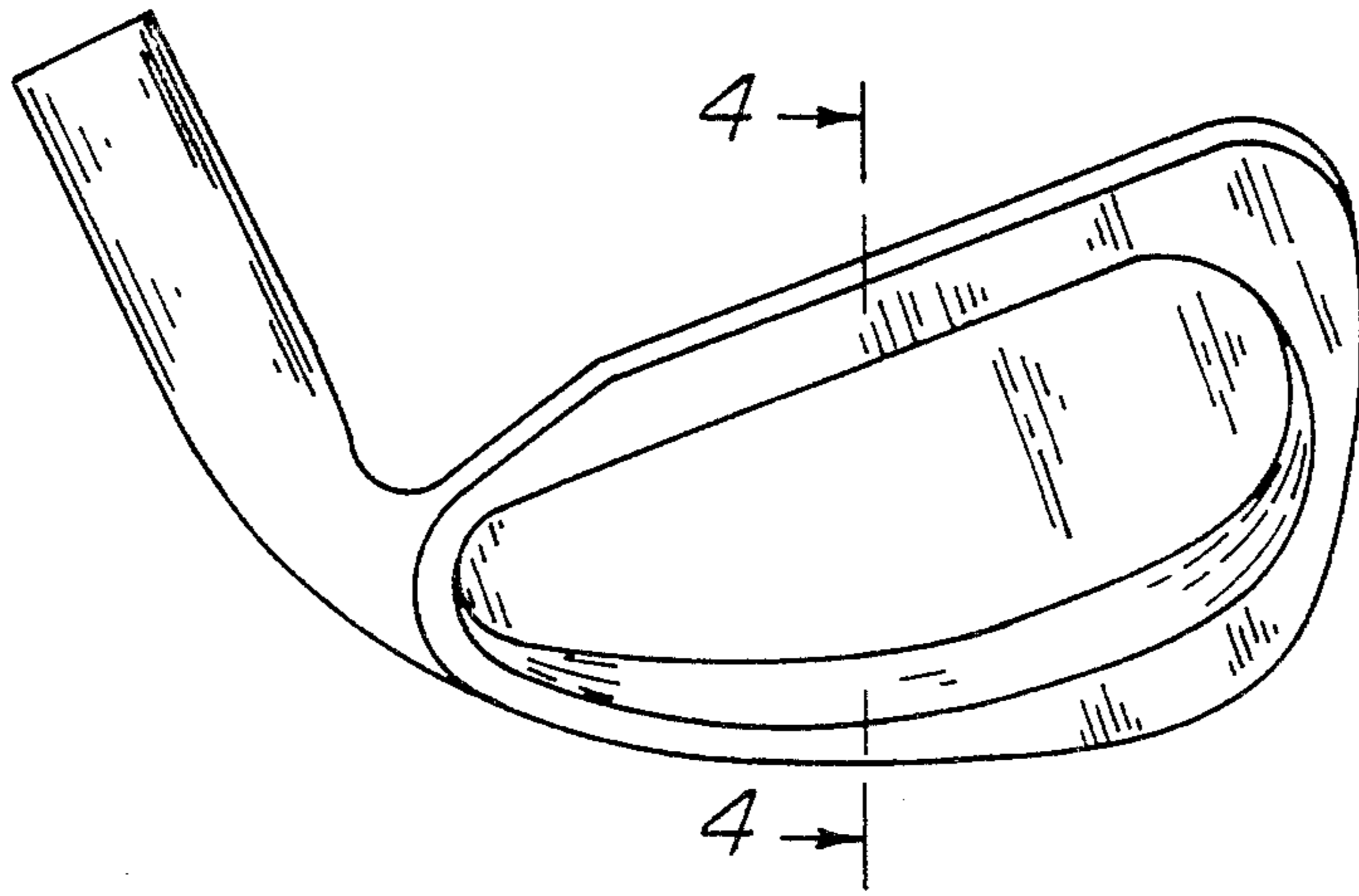


FIG. 1

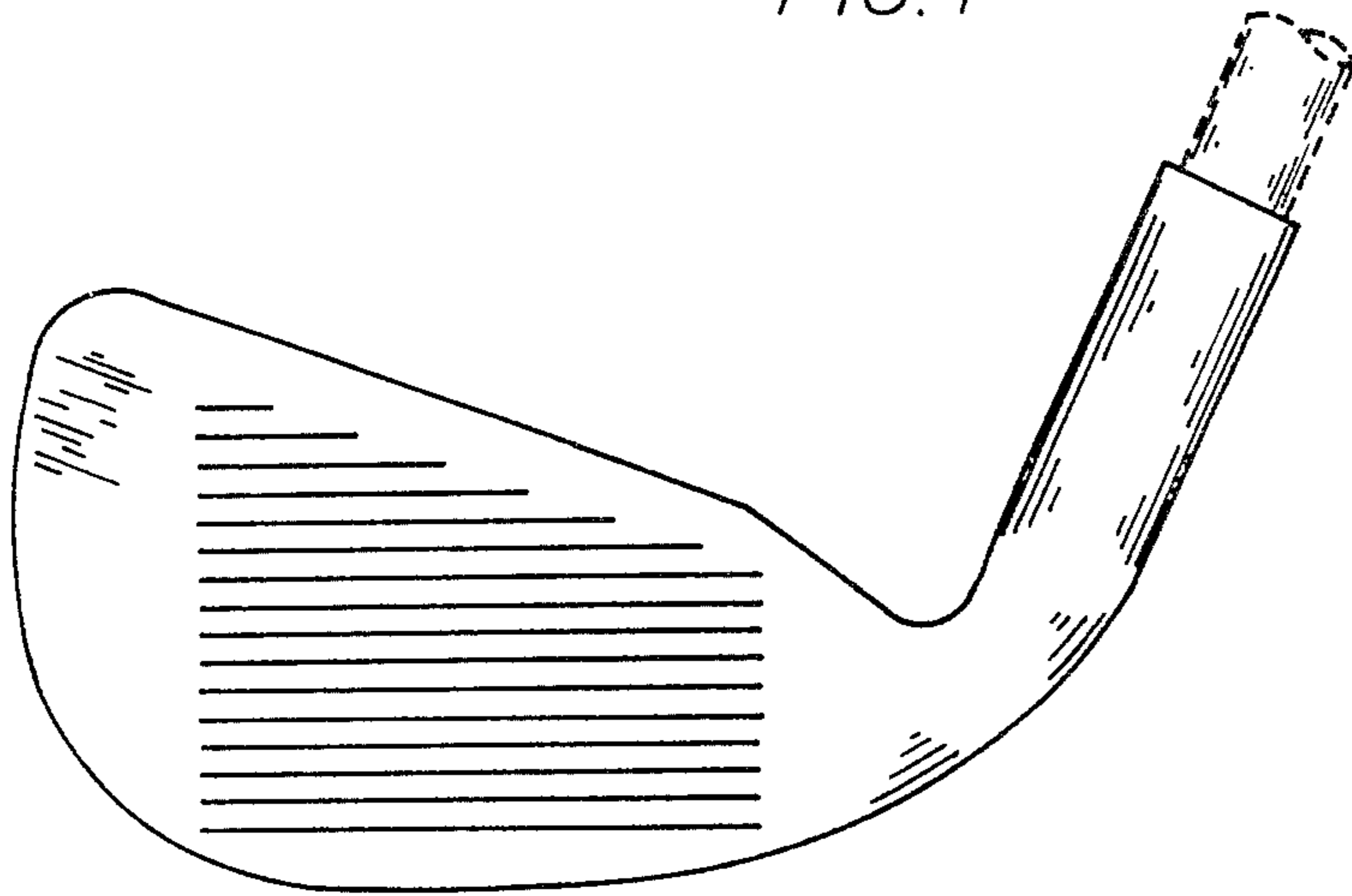


FIG. 2

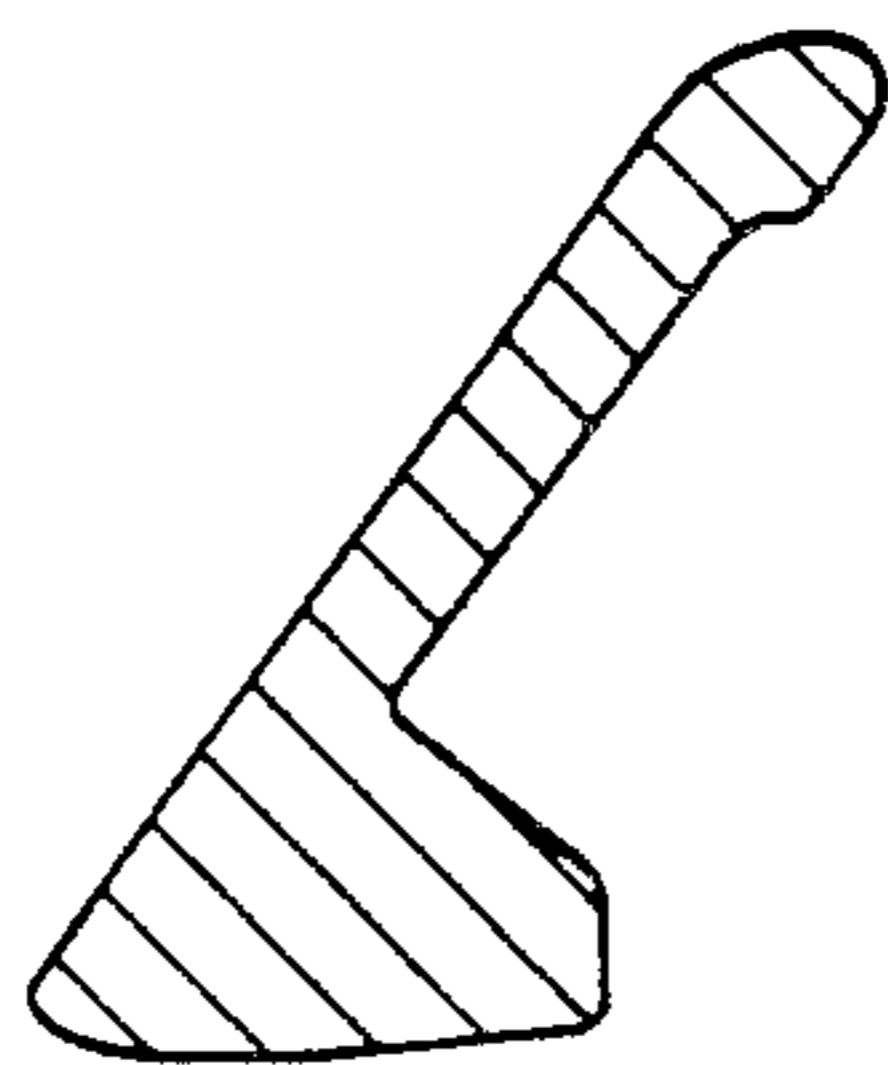


FIG. 4

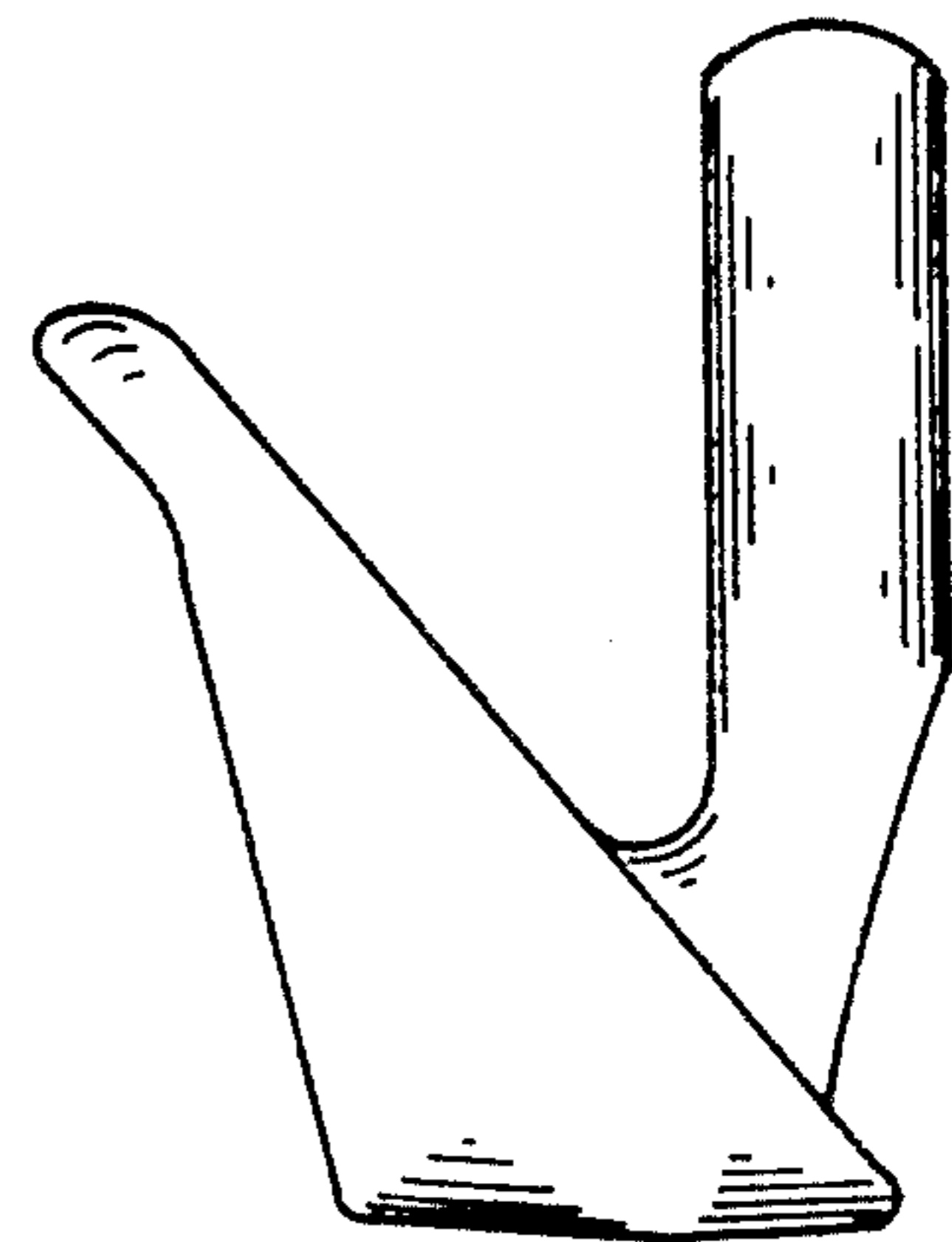


FIG. 3