

[54] **RATTLE**

[75] **Inventor: Erik P. Tapdrup, Virum, Denmark**

[73] **Assignee: Interlego A.G., Baar, Switzerland**

[**] **Term: 14 Years**

[21] **Appl. No.: 387,230**

[22] **Filed: Jun. 11, 1982**

[52] **U.S. Cl. D21/65**

[58] **Field of Search D21/63, 64, 65, 59;
46/189, 193, 190, 177, 1 C; D12/22, 23**

[56] **References Cited**

U.S. PATENT DOCUMENTS

D. 256,382 8/1980 Nakao D21/65

OTHER PUBLICATIONS

Childcraft Holiday Catalog, 1981, p. 9, Item C, "Happy Face Rattle".

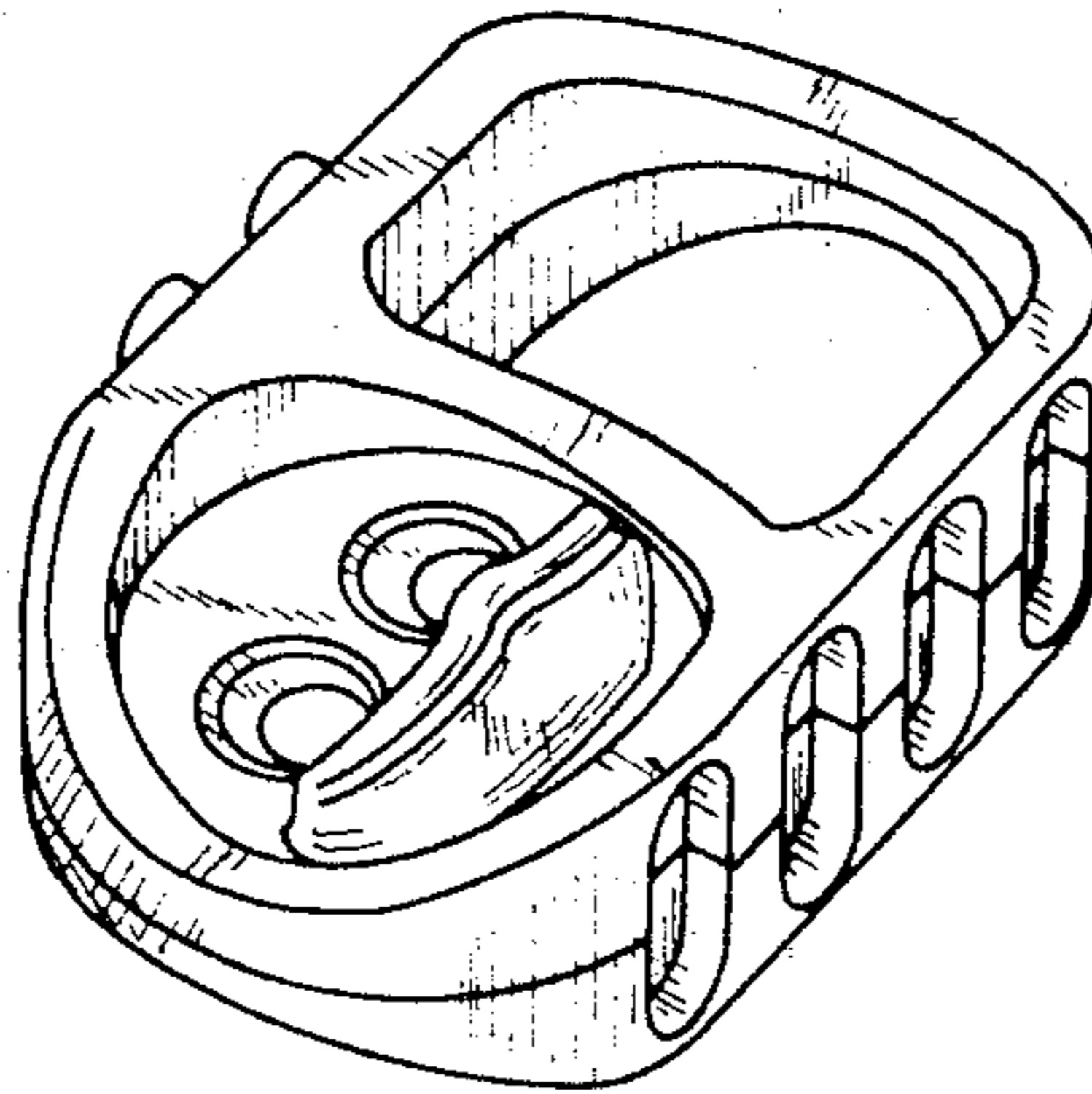
Primary Examiner—Charles A. Rademaker
Attorney, Agent, or Firm—Kane, Dalsimer, Kane, Sullivan and Kurucz

[57] **CLAIM**

The ornamental design for a rattle, as shown and described.

DESCRIPTION

FIG. 1 is a bottom perspective view of a rattle showing my new design;
FIG. 2 is a front elevational view thereof;
FIG. 3 is a side elevational view thereof;
FIG. 4 is a top plan view thereof;
FIG. 5 is a bottom plan view thereof; and
FIG. 6 is a rear elevational view thereof.



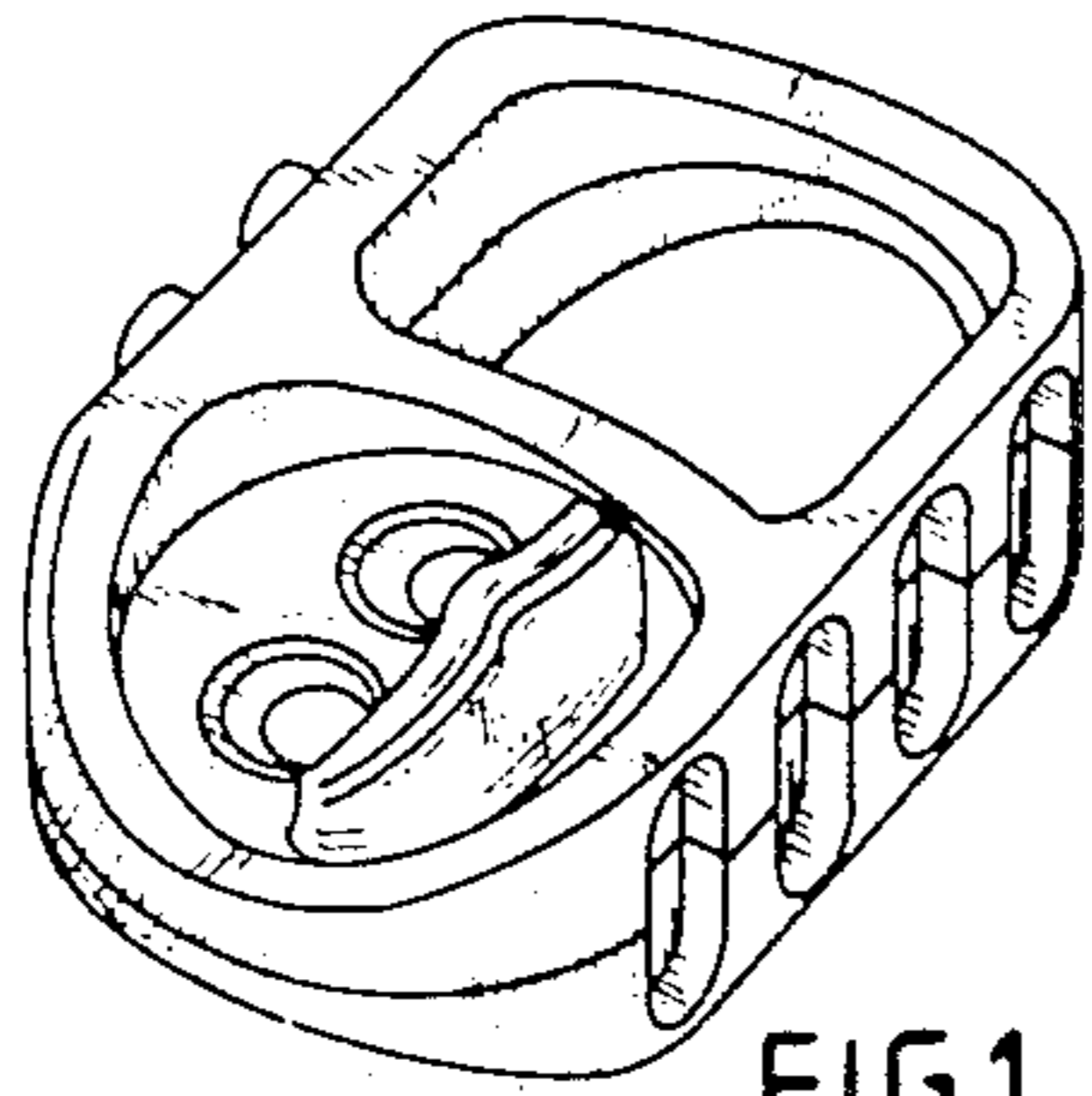


FIG.1

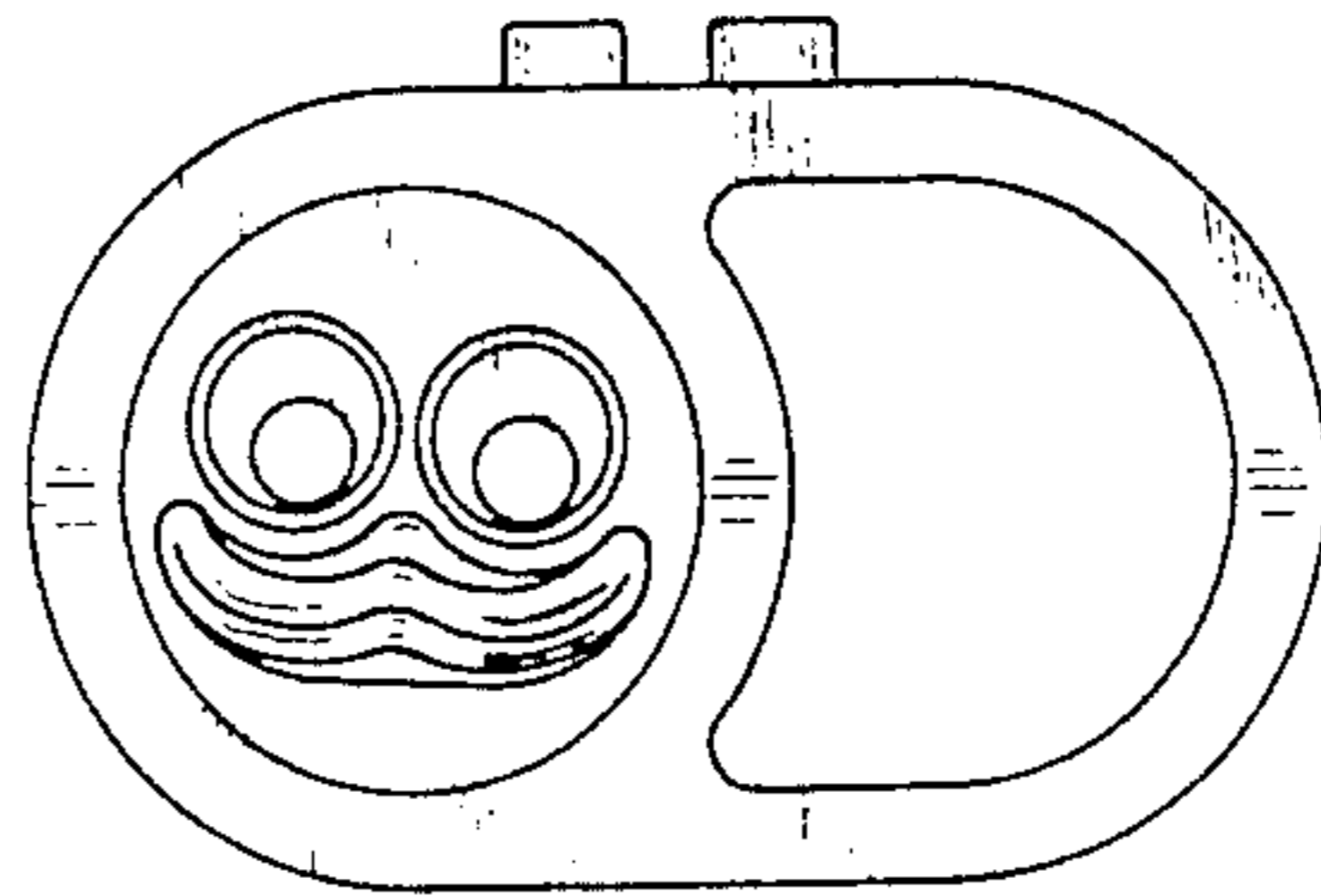


FIG.2

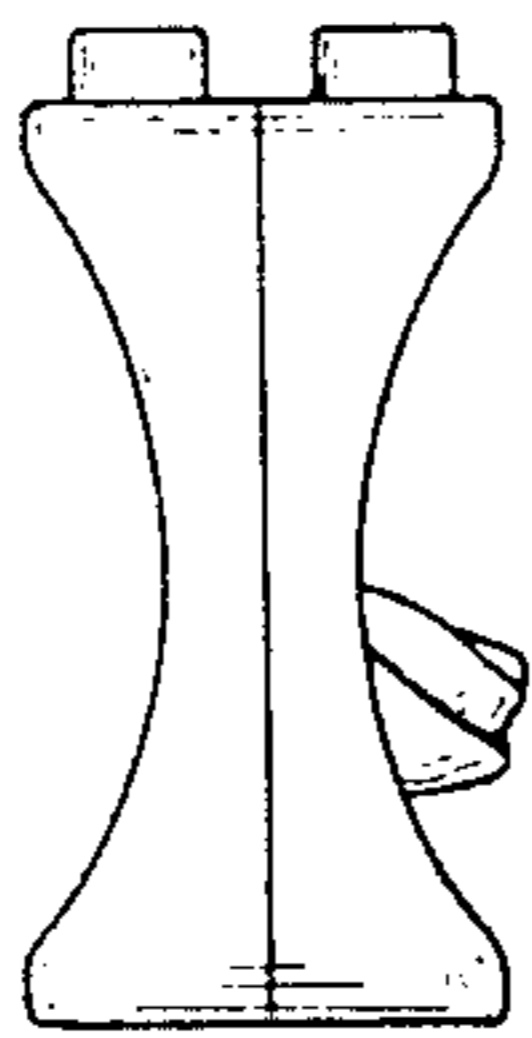


FIG.3

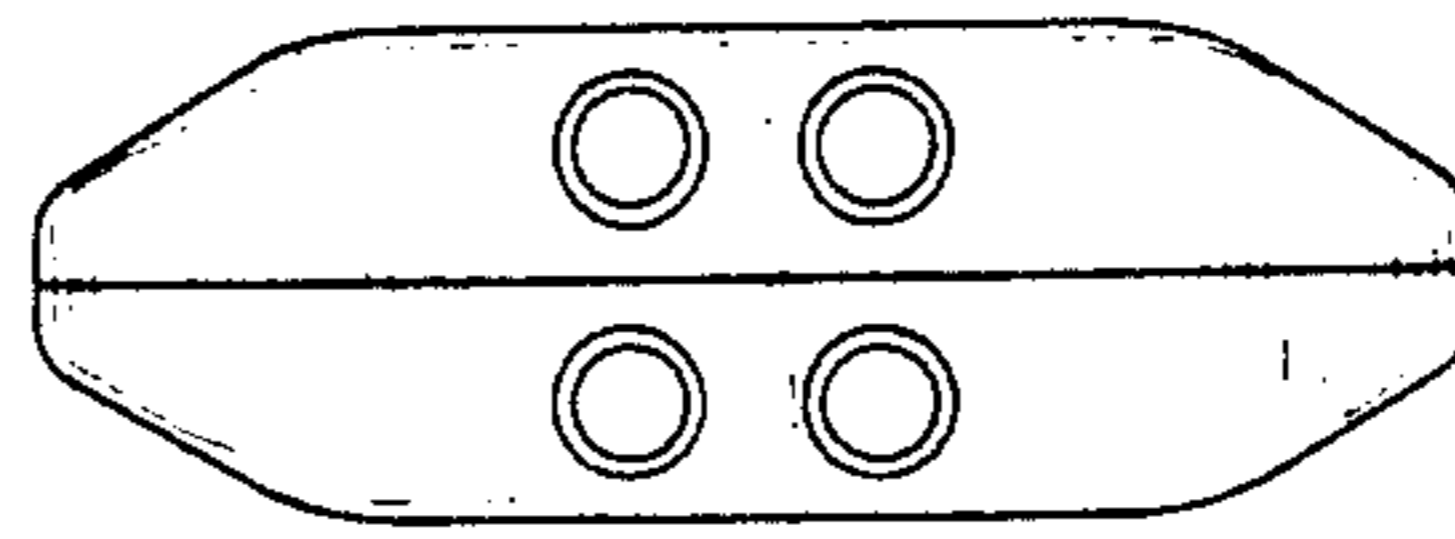


FIG.4

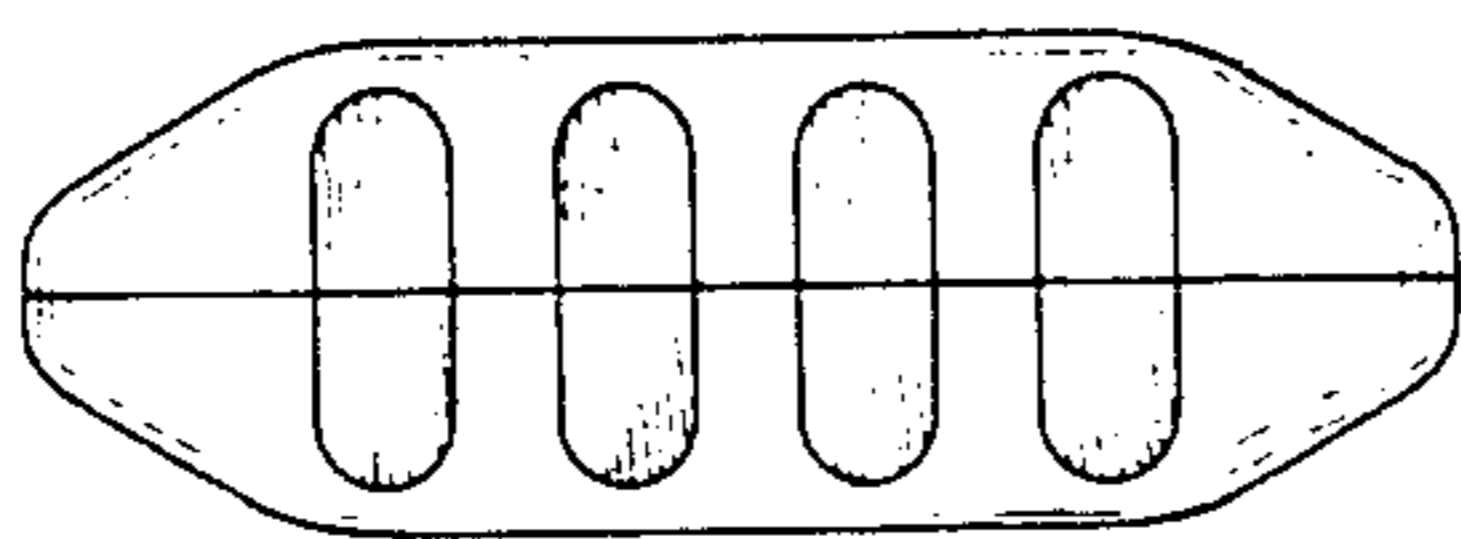


FIG.5

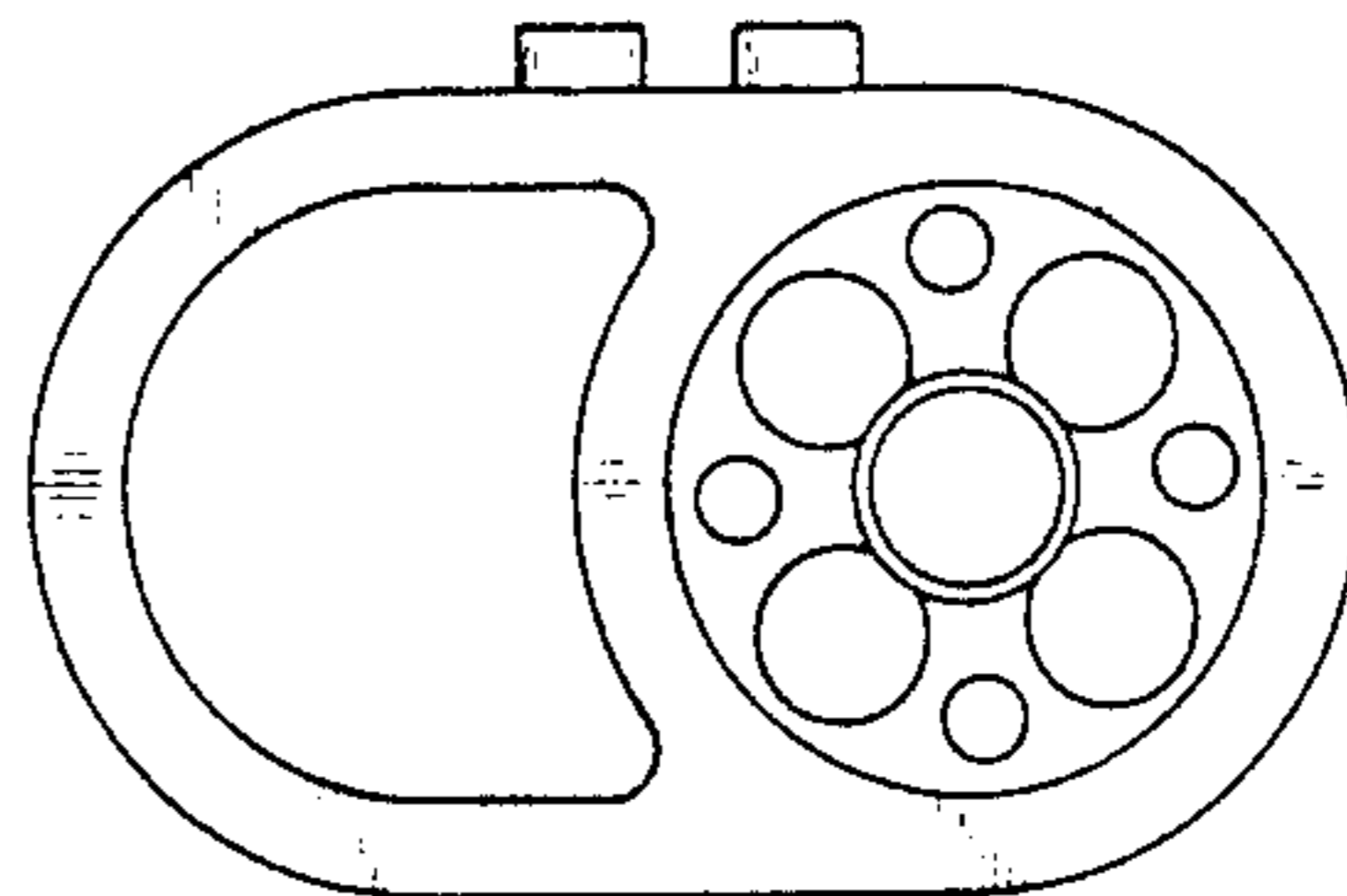


FIG.6